

# Cross Section Drawing

## StyleLine Half Vent Above Window 1 3/8" Nailfin Setback Frame



CAD File Scale  
NTS

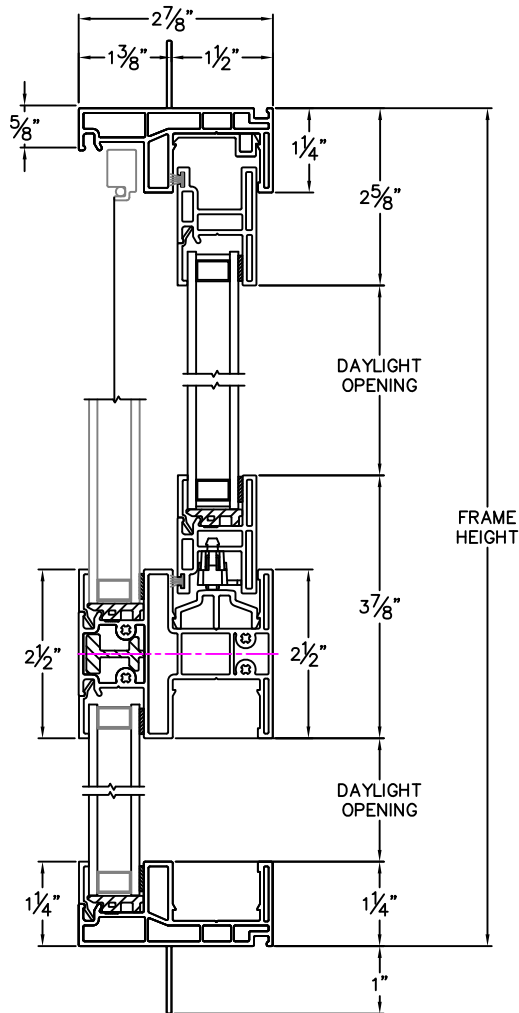
View  
Horizontal & Vertical

File Name  
StyleLine\_6110\_HVA\_1.375in

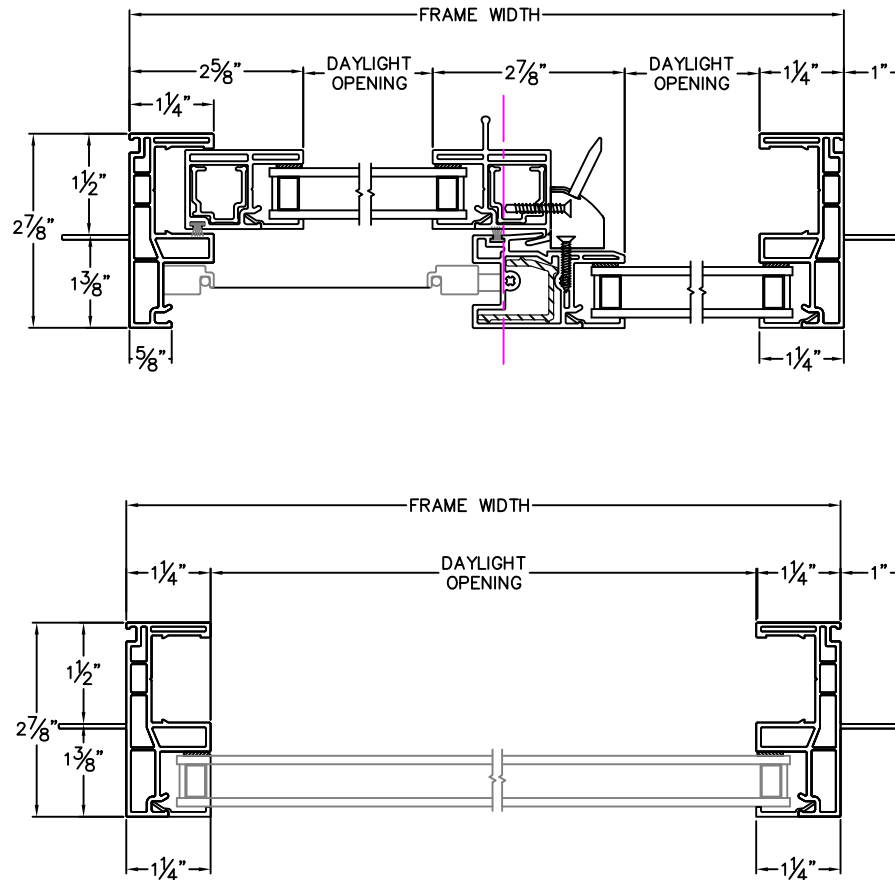
Units  
Inch

More Technical Documents can be found at [milgard.com/professionals](http://milgard.com/professionals)  
Due to continual research and development, details may be changed at any time. ©2013 Milgard Mfg.

### HALF VENT SERIES 6110



HEAD & SILL



JAMBS