

Cross Section Drawing

StyleLine Half Vent Above Window 1" Nailfin Setback Frame



Clearly the best.™

CAD File Scale
NTS

View
Horizontal & Vertical

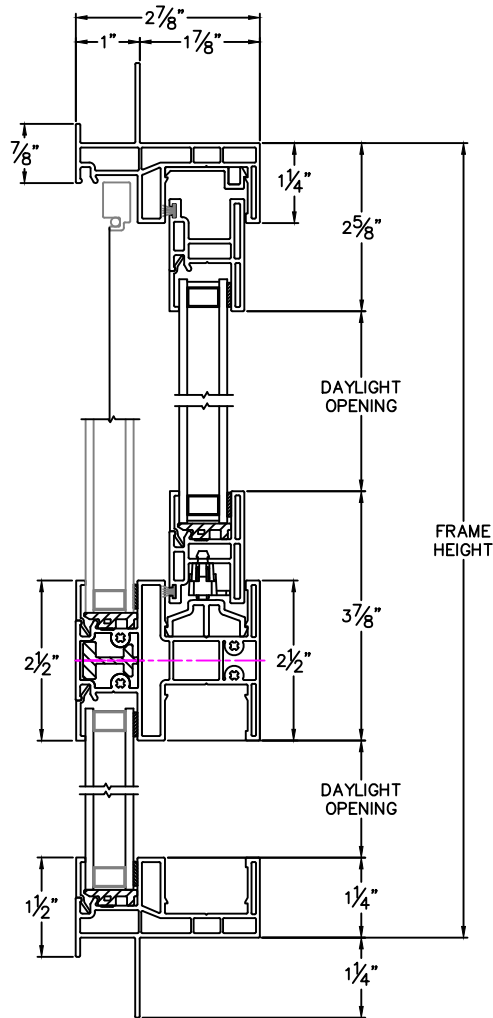
File Name
StyleLine_6130_HVA_1in

Units
Inch

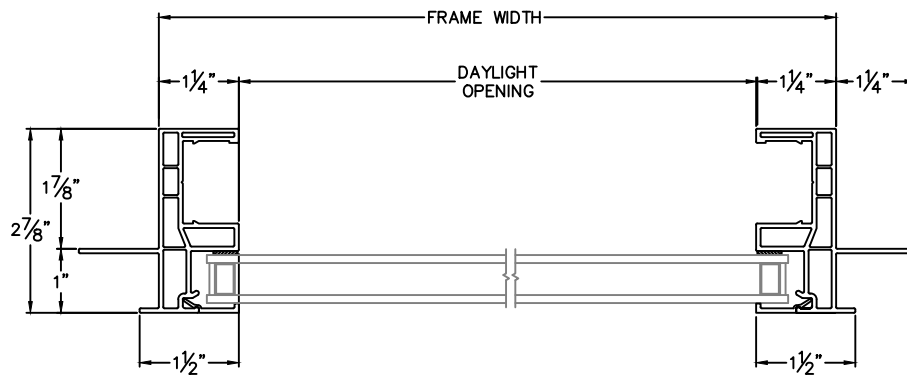
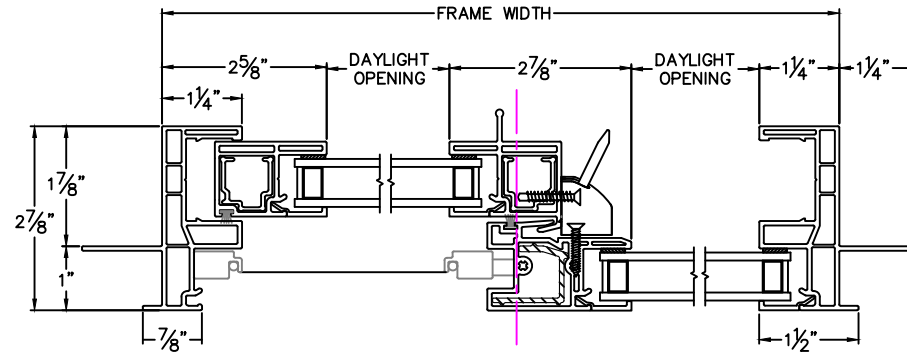
More Technical Documents can be found at milgard.com/professionals

Due to continual research and development, details may be changed at any time. ©2018 Milgard Mfg.

HALF VENT SERIES 6130



HEAD & SILL



JAMBS