

Cross Section Drawing

Ultra French Rail Sliding Door, 3 Panel OXO Configuration 2 1/4" Contour Z Bar



Clearly the best.

CAD File Scale
NTS

View
Horizontal & Vertical

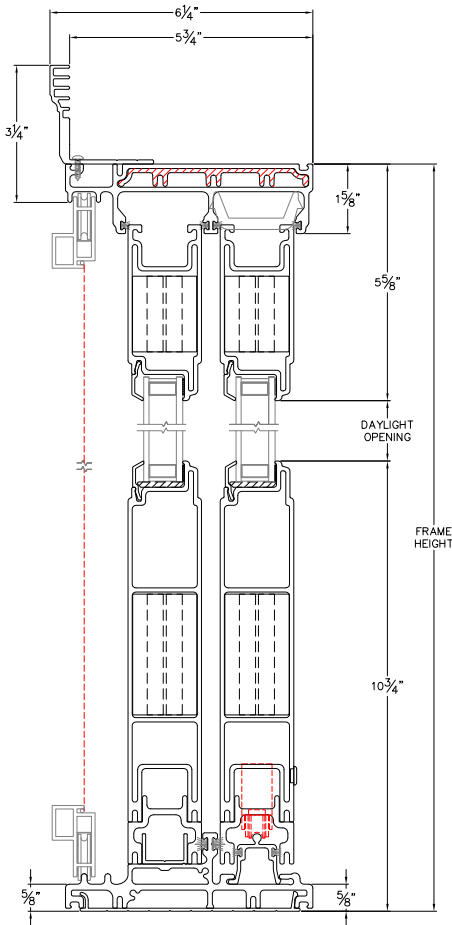
File Name
Ultra_3626U_SGD_OXO_2.25in_z-bar

Units
Inch

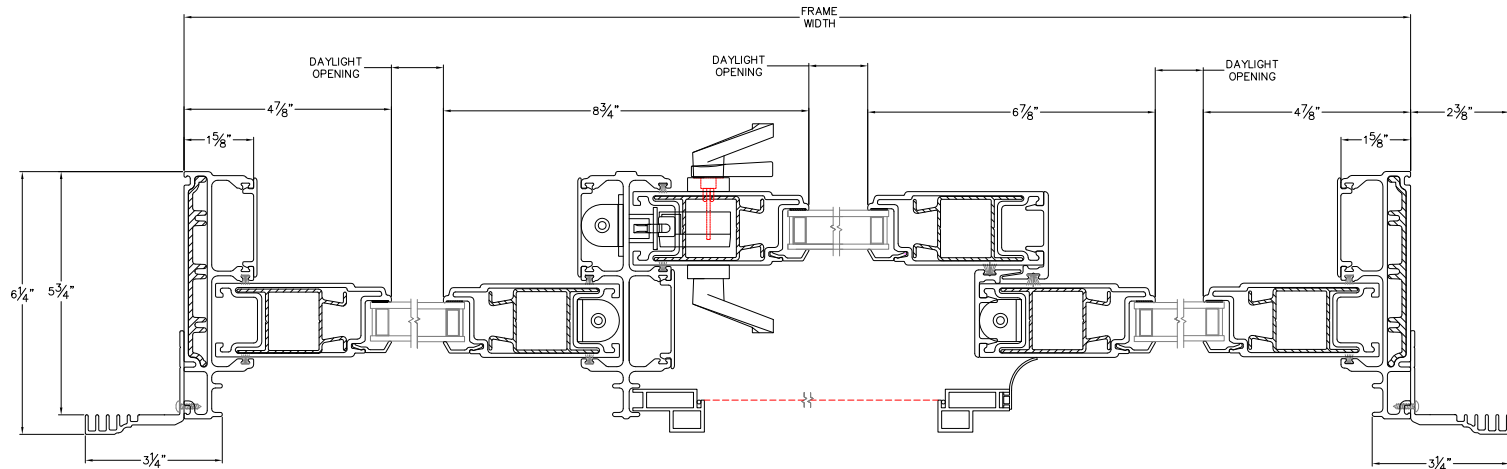
Revision
-

More Technical Documents can be found at milgard.com/professionals
Due to continual research and development, details may be changed at any time. ©2013 Milgard Mfg.

FRENCH SLIDER SERIES 3626



HEAD & SILL



JAMBS