

Cross Section Drawing

Ultra French InSwing Door, 4 Panel Fixed/Passive/Active/Fixed 2 1/4" Contour Z Bar



CAD File Scale
NTS

View
Horizontal & Vertical

File Name
Ultra_3642U_IS_OPAO_2.25in_z-bar

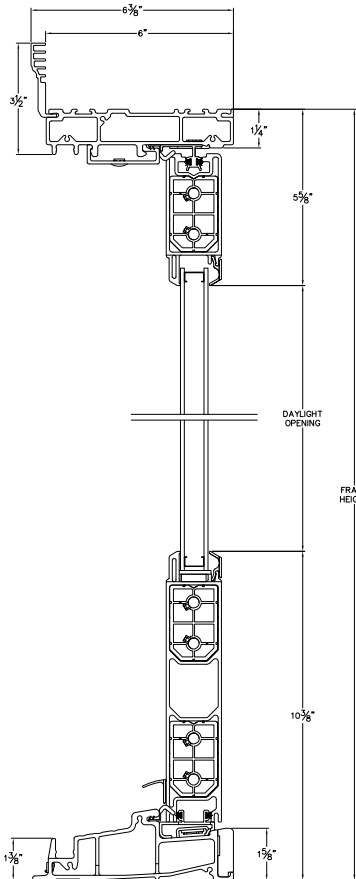
Units
Inch

Revision
-

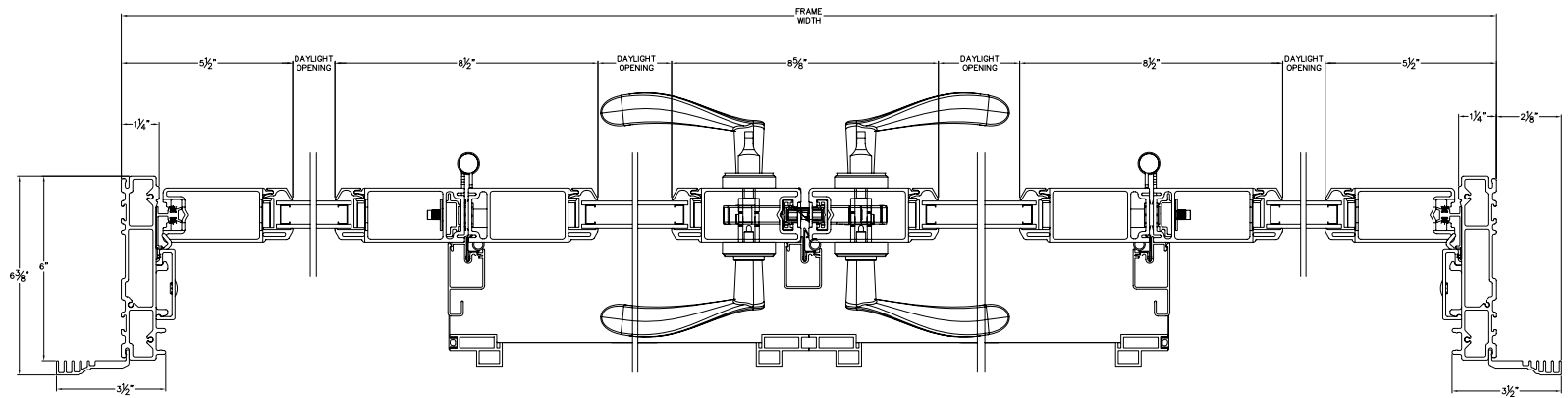
More Technical Documents can be found at milgard.com/professionals

Due to continual research and development, details may be changed at any time. ©2013 Milgard Mfg.

INSWING SERIES 3642



HEAD & SILL



JAMBS