

Cross Section Drawing

**Ultra Inswing Door, PA/AP Configuration
1 3/8" Nailfin Setback, 4 9/16" Wall Condition**



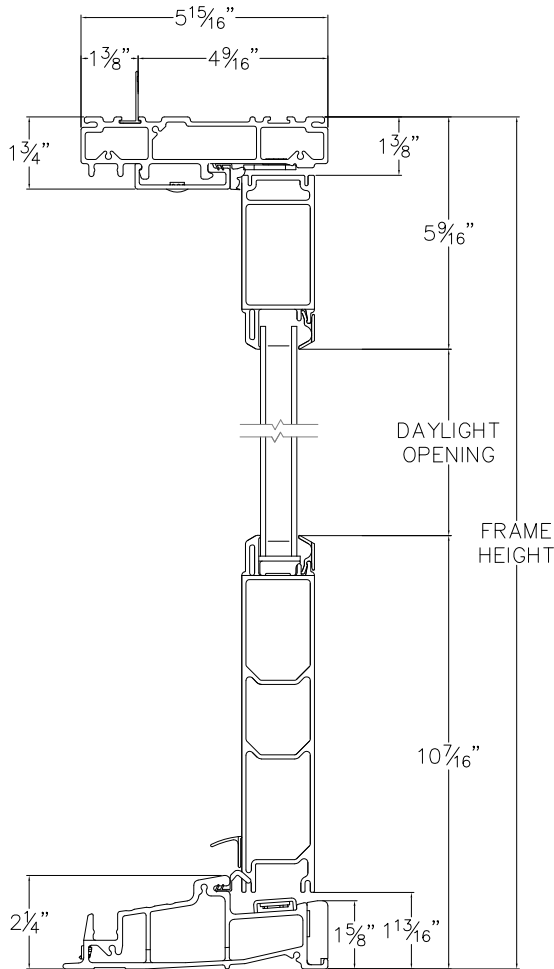
CAD File Scale	View	File Name	Units
NTS	Horizontal & Vertical	Ultra_3642_IS_PA_1.375in_4.563frame	Inch

More Technical Documents can be found at milgard.com/professionals
 Due to continual research and development, details may be changed at any time. ©2013 Milgard Mfg.

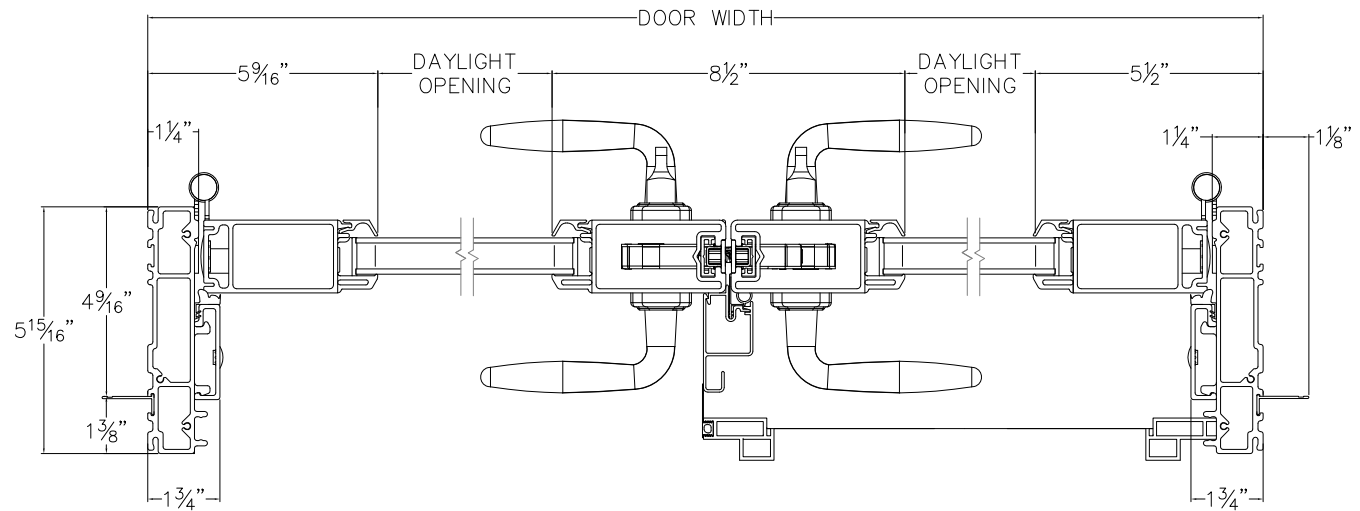
**INSWING DOOR
SERIES 3642**

PA configuration shown
 AP configuration also available.

Standard screen is shown
 Optional Retractable screen is available



HEAD & SILL



JAMBS