

Cross Section Drawing

Trinsic Casement/Awning Fixed Window Standard Z-Bar Frame



Clearly the best.™

CAD File Scale
NTS

View
Horizontal & Vertical

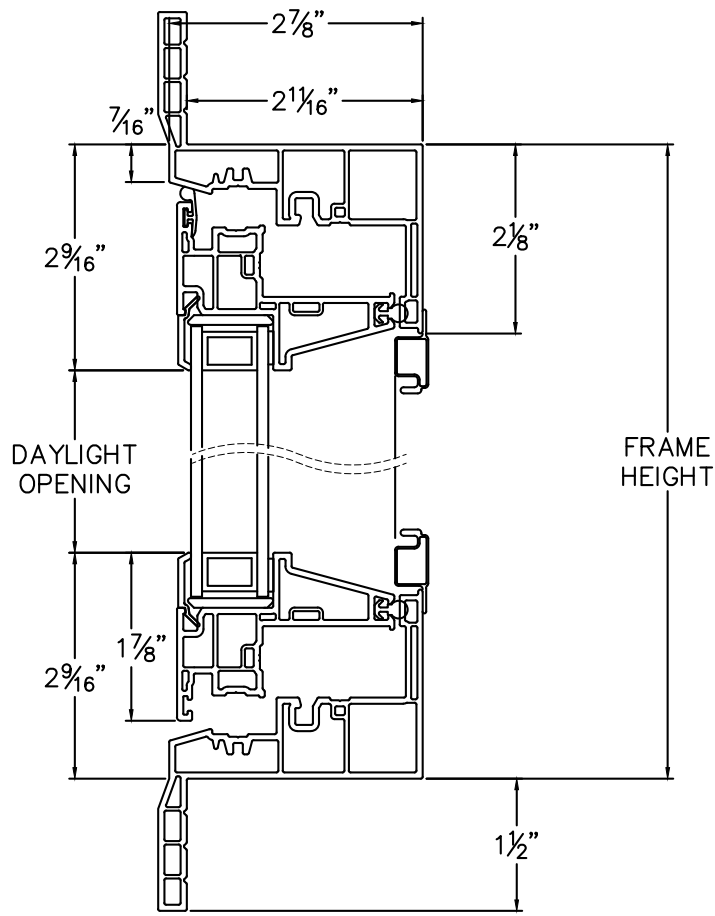
File Name
Trinsic_2570_CAF_1.5 Zbar

Units
Inch

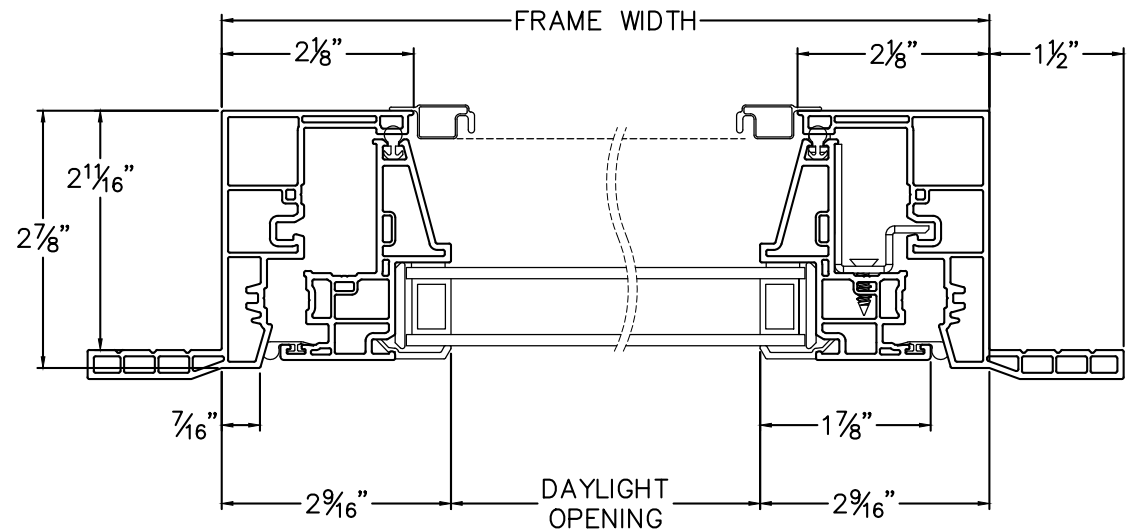
Revision
4/2024

More Technical Documents can be found at milgard.com/professionals
Due to continual research and development, details may be changed at any time. ©2024 Milgard Mfg.

CASEMENT SERIES 2570T



HEAD & SILL



JAMBS