

Cross Section Drawing

Trinsic Full Casement Window Block Frame with Slope Sill Adapter



Clearly the best.™

CAD File Scale
NTS

View
Horizontal & Vertical

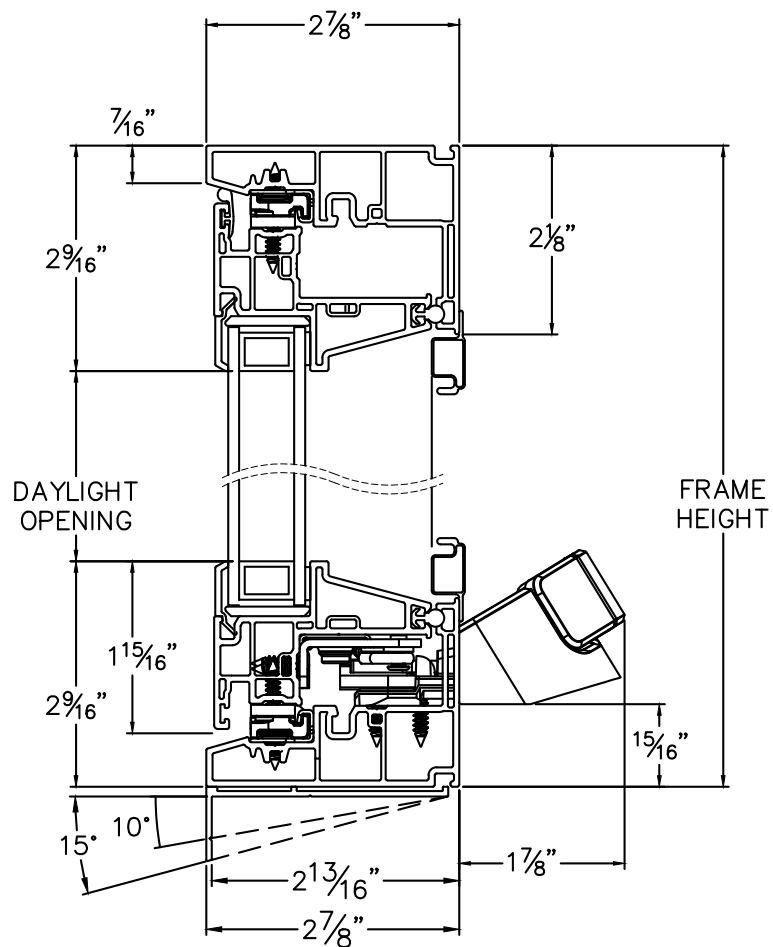
File Name
Trinsic_2510_FC_Block Slope Sill

Units
Inch

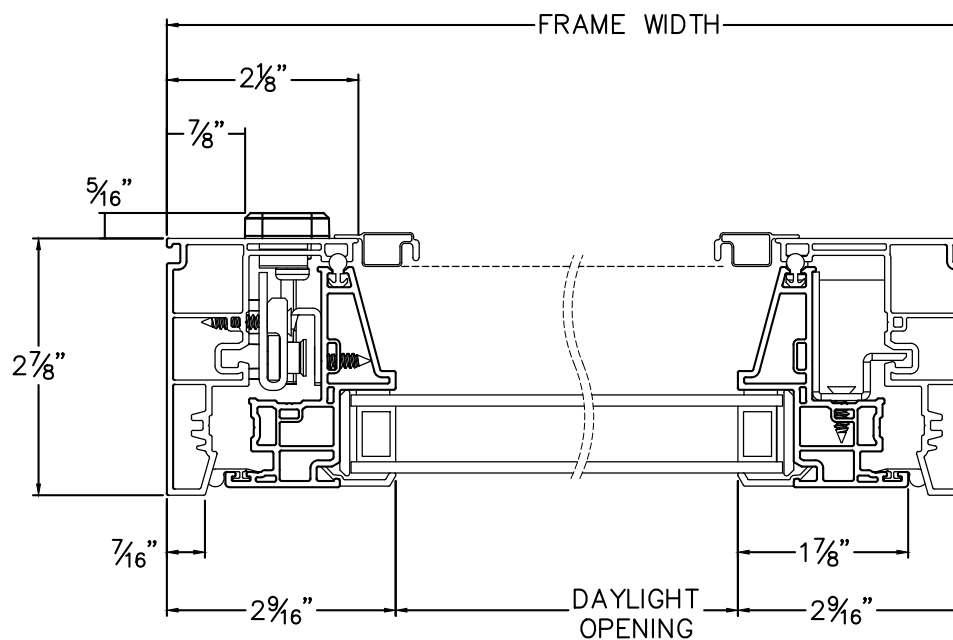
Revision
5/2024

More Technical Documents can be found at milgard.com/professionals
Due to continual research and development, details may be changed at any time. ©2024 Milgard Mfg.

CASEMENT SERIES 2510



HEAD & SILL



JAMBS