

Cross Section Drawing

V150 Horizontal Slider Window

1 3/8" Nailfin Setback with Stucco Key



Clearly the best.™

CAD File Scale
NTS

View
Horizontal & Vertical

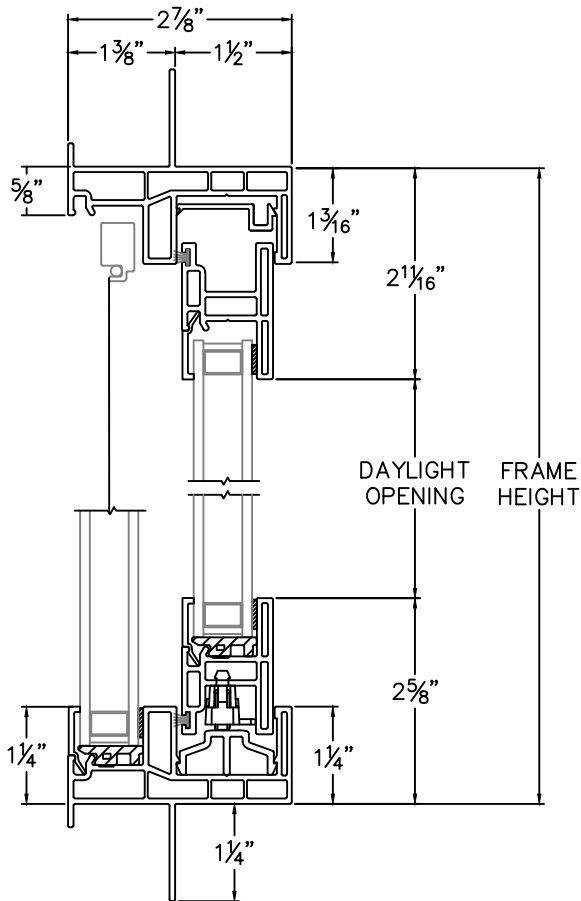
File Name
V150_6110B_HS_1.375in_Stucco

Units
Inch

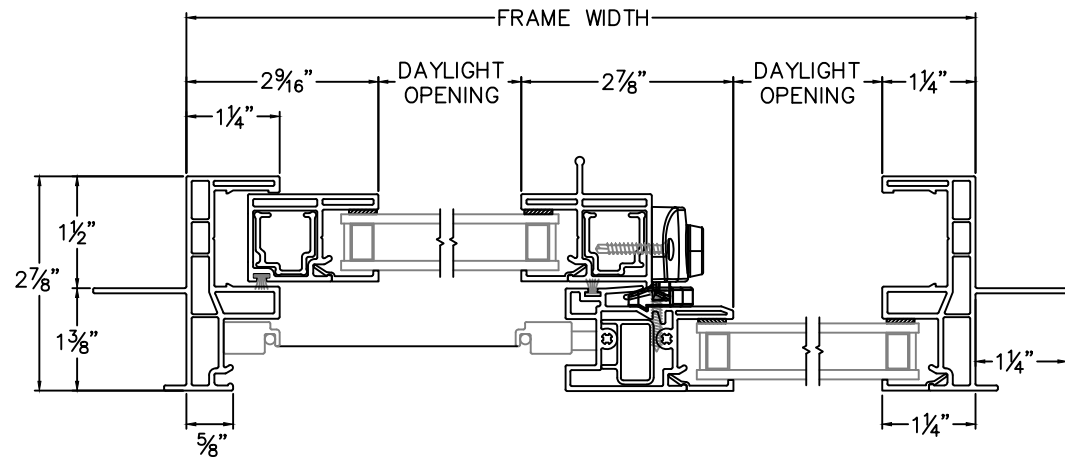
Revision
7/2021

More Technical Documents can be found at milgard.com/professionals
Due to continual research and development, details may be changed at any time. ©2021 Milgard Mfg.

HORIZONTAL SLIDER SERIES 6110B



HEAD & SILL



JAMBS