

Cross Section Drawing

V150 Single Hung Window 1 3/8" Nailfin Setback Frame



Clearly the best.™

CAD File Scale
NTS

View
Horizontal & Vertical

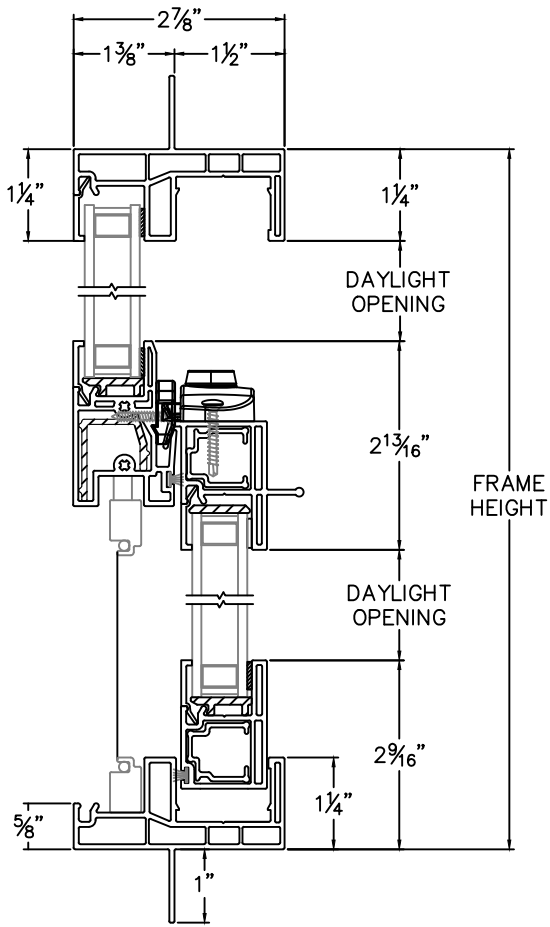
File Name
V150_6210B_SH_1.375in

Units
Inch

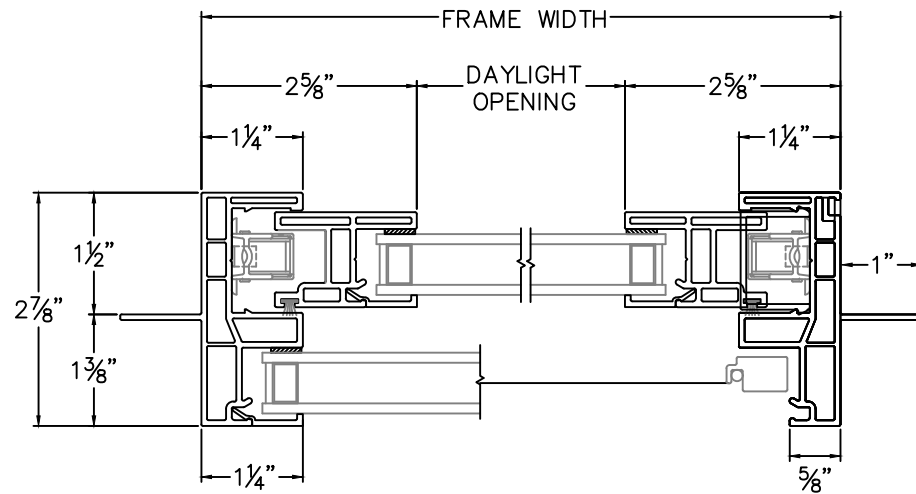
Revision
7/2021

More Technical Documents can be found at milgard.com/professionals
Due to continual research and development, details may be changed at any time. ©2021 Milgard Mfg.

SINGLE HUNG SERIES 6210B



HEAD & SILL



JAMBS