

Cross Section Drawing

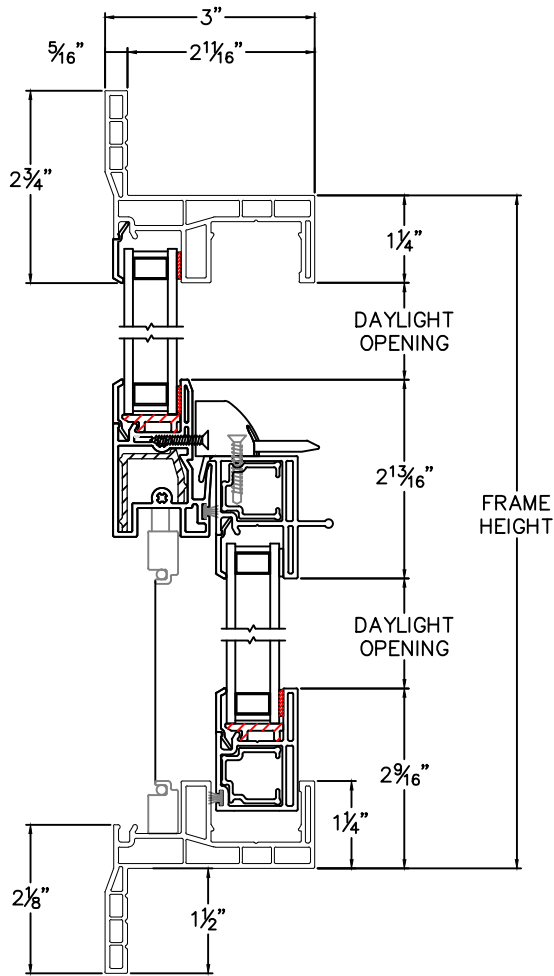
StyleLine Single Hung Window 1 1/2" Contour Z-Bar



Clearly the best.™

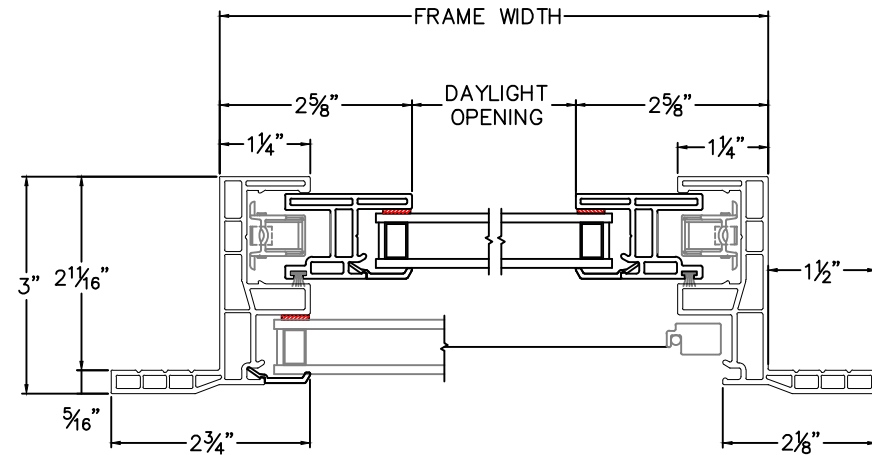
CAD File Scale	View	File Name	Units
NTS	Horizontal & Vertical	6270-01SH	Inch

More Technical Documents can be found at milgard.com/professionals
 Due to continual research and development, details may be changed at any time. ©2013 Milgard Mfg.



HEAD & SILL

SINGLE HUNG SERIES 6270



JAMBS