

# Cross Section Drawing

## Tuscany Double Hung Window 1 3/8" Fin Setback Accessory Groove Frame, 2" Brickmold



CAD File Scale  
NTS

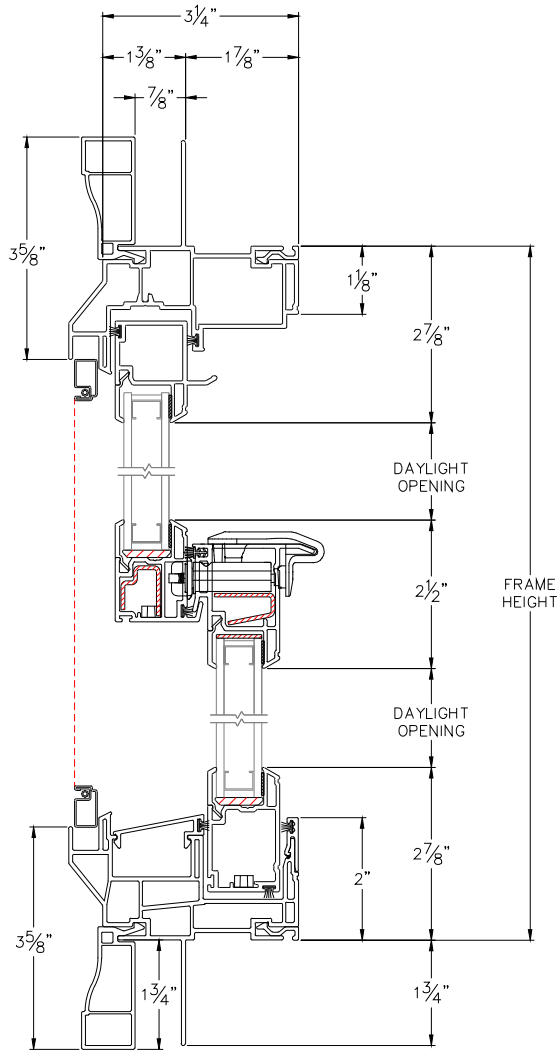
View  
Horizontal & Vertical

File Name  
8225T-03 DH

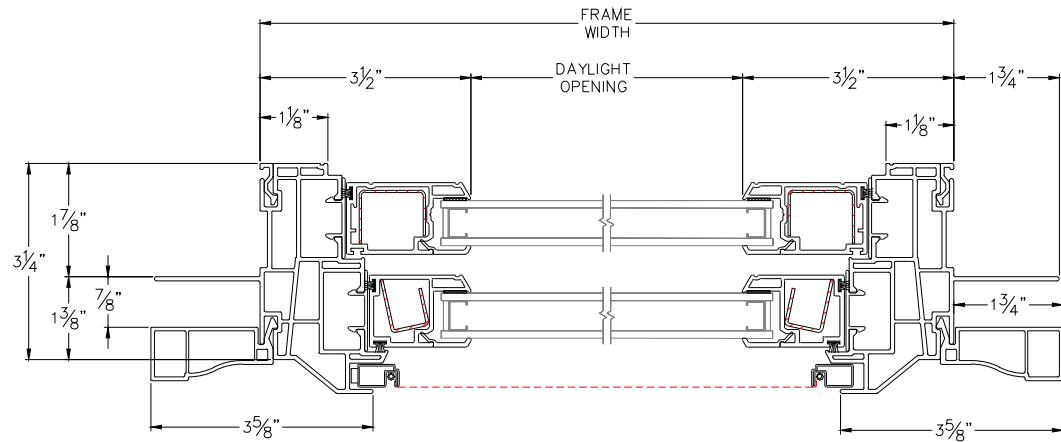
Units  
Inch

More Technical Documents can be found at [milgard.com/professionals](http://milgard.com/professionals)  
Due to continual research and development, details may be changed at any time. ©2013 Milgard Mfg.

### DOUBLE HUNG SERIES 8225



HEAD & SILL



JAMBS