

# Cross Section Drawing

## Tuscany Horizontal Slider Above 2 Lites Window Block Frame



Clearly the best.™

CAD File Scale  
NTS

View  
Horizontal & Vertical

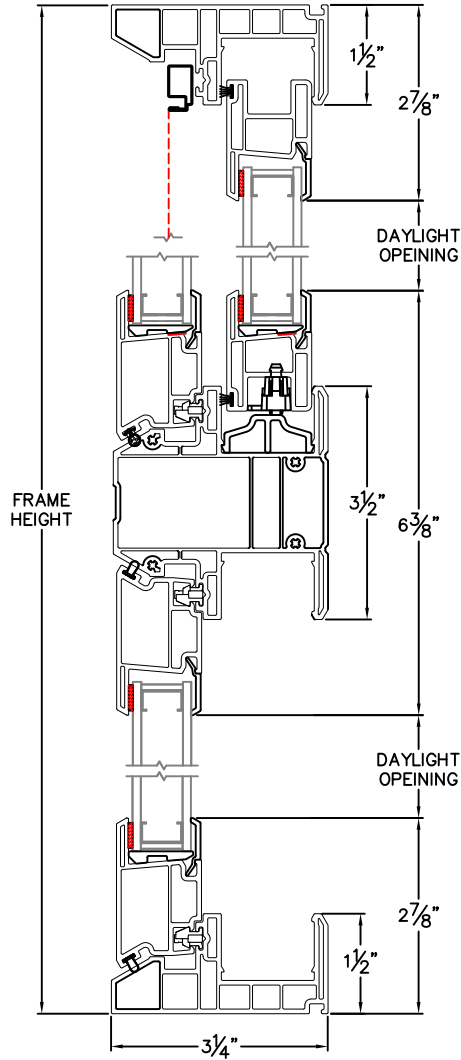
File Name  
8120T HVA

Units  
Inch

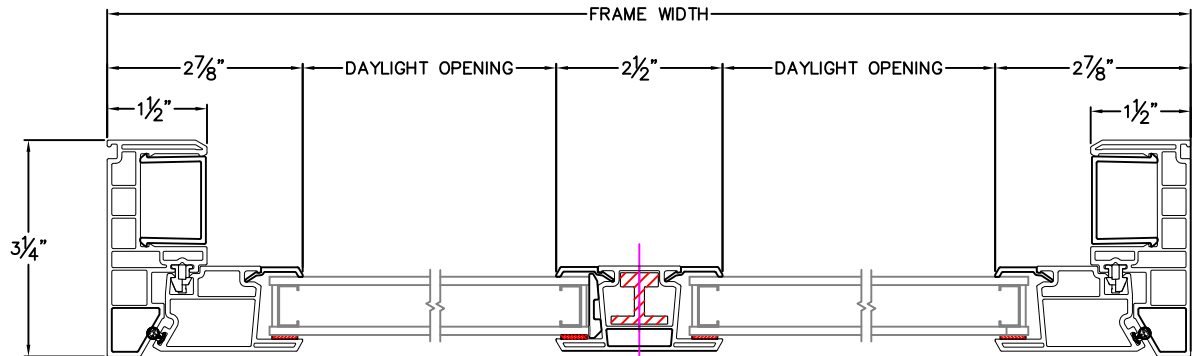
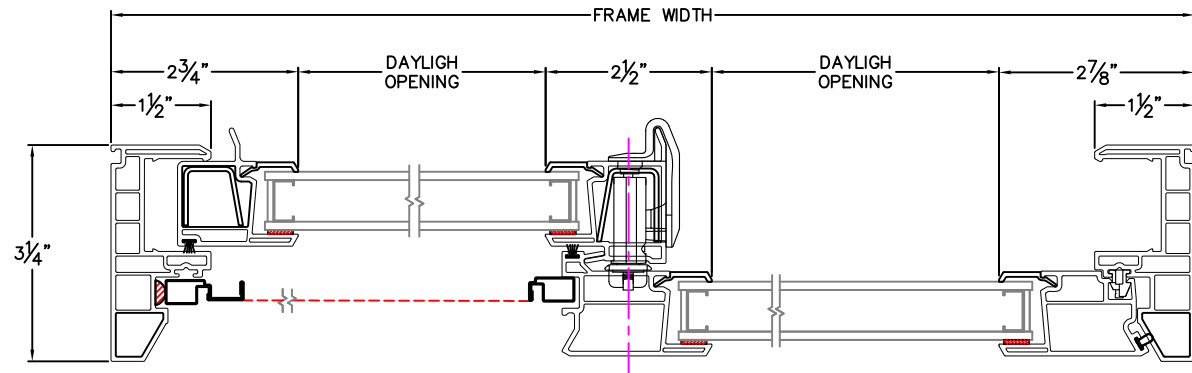
More Technical Documents can be found at [milgard.com/professionals](http://milgard.com/professionals)

Due to continual research and development, details may be changed at any time. ©2013 Milgard Mfg.

### HALF VENT ABOVE 2 LITES SERIES 8120



HEAD & SILL



JAMBS