

# Cross Section Drawing

## Tuscany Inswing Door 1 3/8" Nailfin Setback, 4 9/16" Wall Condition



Clearly the best.™

CAD File Scale  
NTS

View  
Horizontal & Vertical

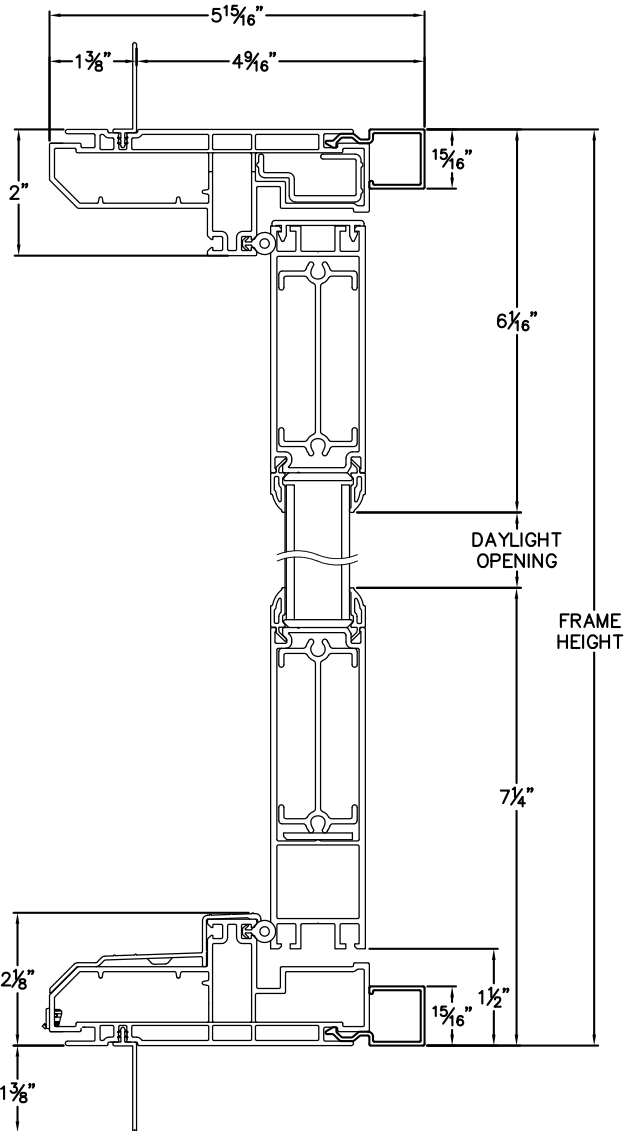
File Name  
8642 VIS\_XX\_1375in

Units  
Inch

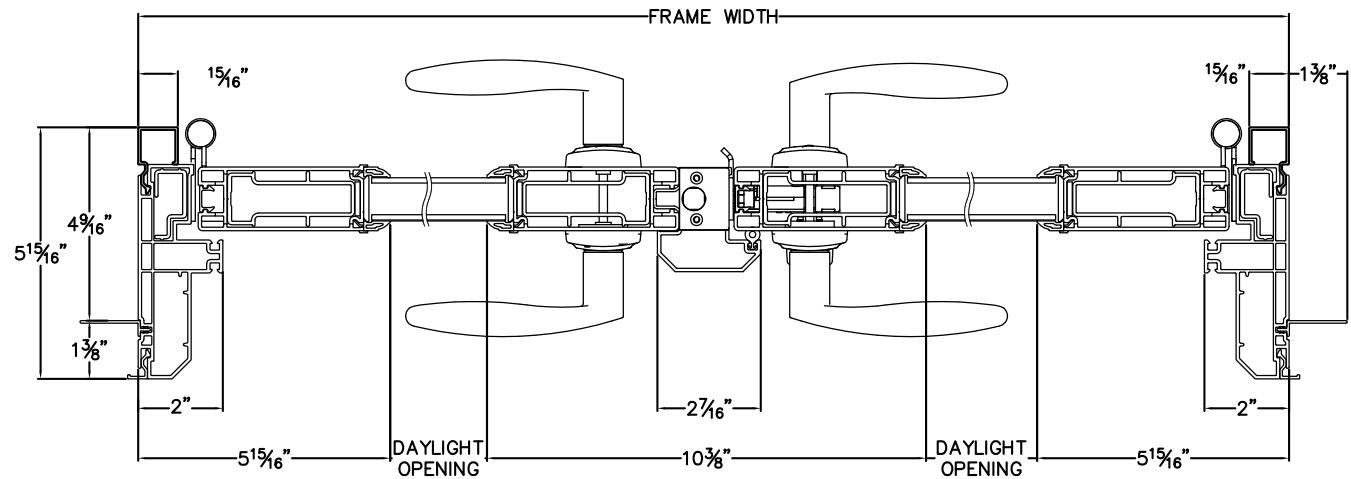
More Technical Documents can be found at [milgard.com/professionals](http://milgard.com/professionals)

Due to continual research and development, details may be changed at any time. ©2013 Milgard Mfg.

### INSWING DOOR SERIES 8642



HEAD & SILL



JAMBS