

# Cross Section Drawing

## Ultra Horizontal Double Vent Window 1" Fin Setback



CAD File Scale  
NTS

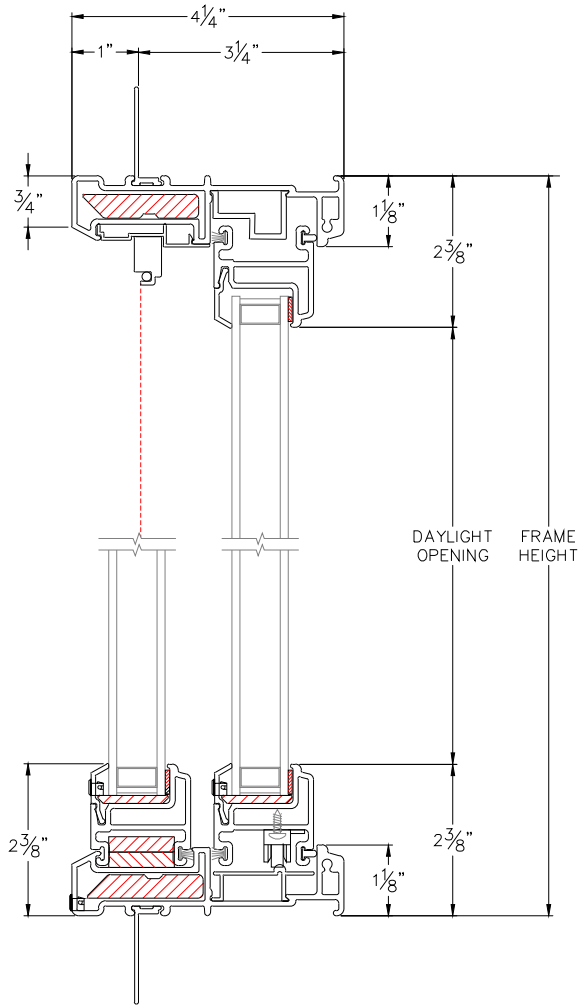
View  
Horizontal & Vertical

File Name  
3110U-03 DV

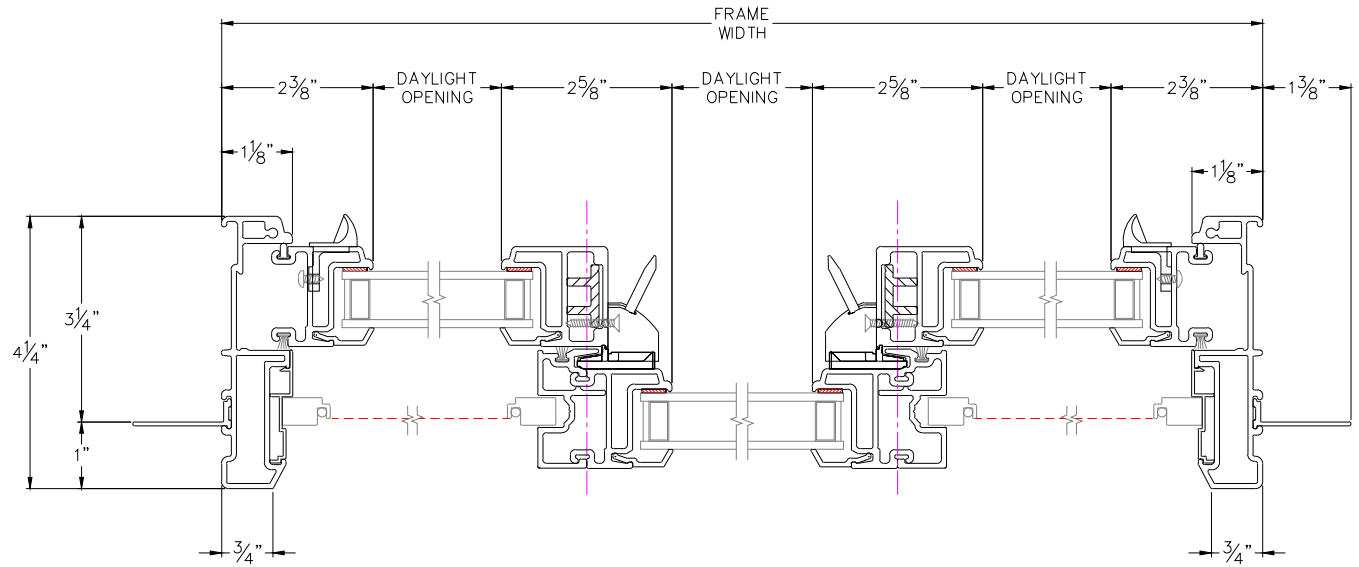
Units  
Inch

More Technical Documents can be found at [milgard.com/professionals](http://milgard.com/professionals)  
Due to continual research and development, details may be changed at any time. ©2013 Milgard Mfg.

### HORIZONTAL DOUBLE VENT SERIES 3110



HEAD & SILL



JAMBS