

Cross Section Drawing

Ultra Horizontal Slider Window 1 3/4" Contour Z-Bar



CAD File Scale
NTS

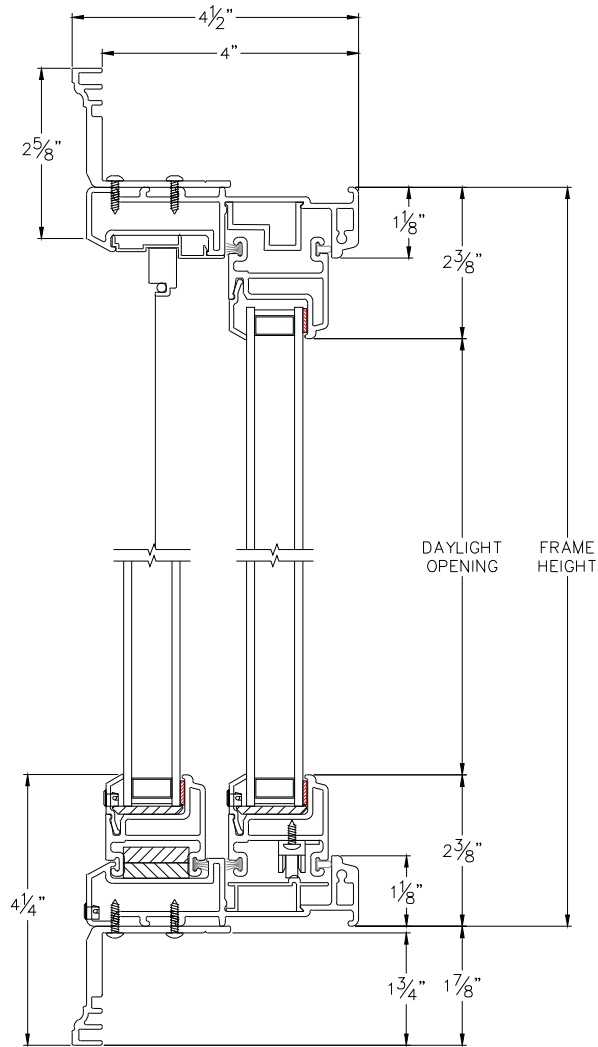
View
Horizontal & Vertical

File Name
3110U-04 HS

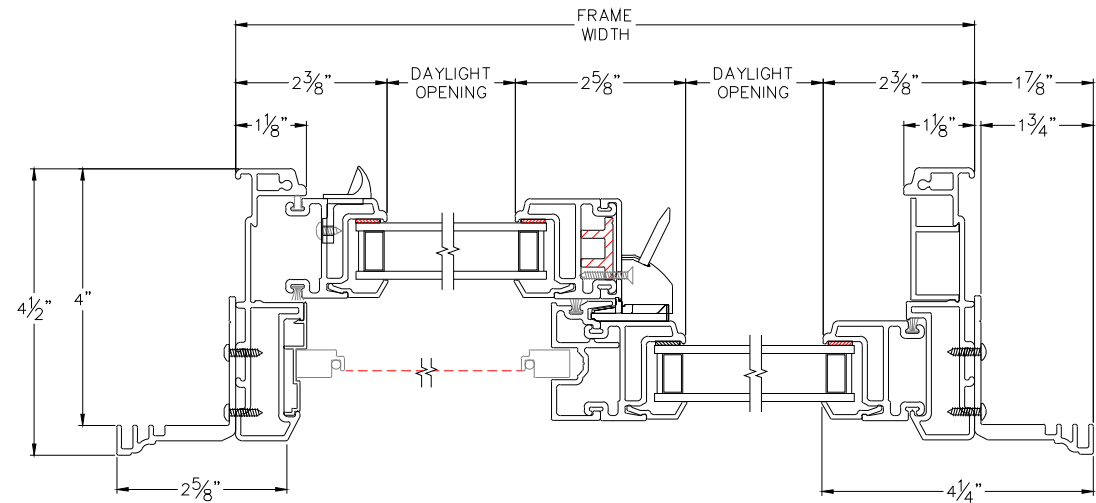
Units
Inch

More Technical Documents can be found at milgard.com/professionals
Due to continual research and development, details may be changed at any time. ©2013 Milgard Mfg.

HORIZONTAL SLIDER SERIES 3110



HEAD & SILL



JAMBS