

Cross Section Drawing

TIE Aluminum Half Vent Above 1 5/16" Nailfin Setback Frame

CAD File Scale
NTS

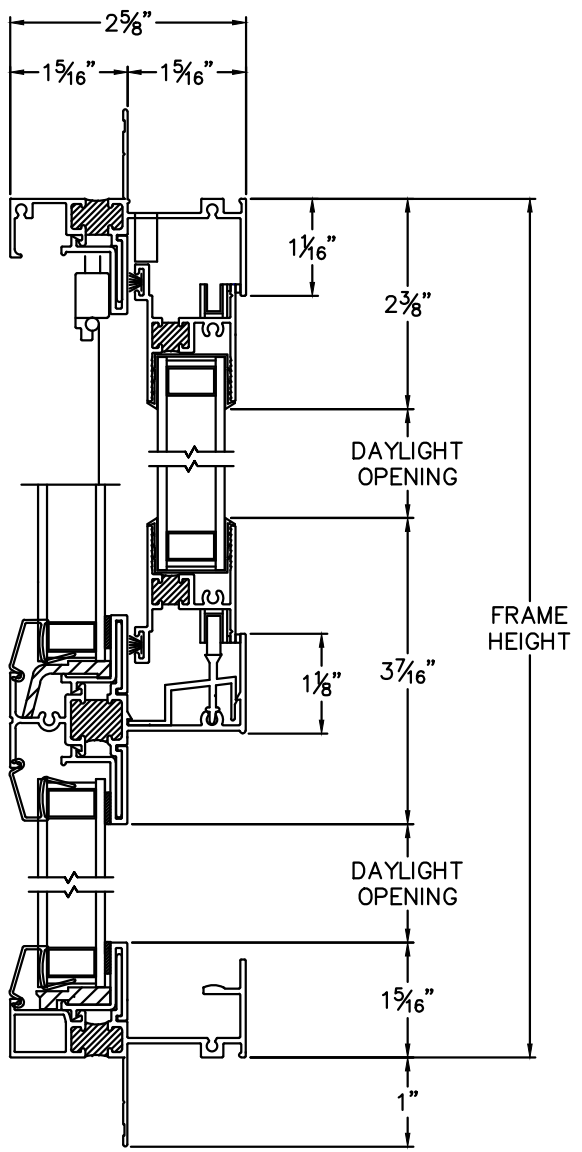
View
Horizontal & Vertical

File Name
Aluminum_TIE_1120_HVA_1.3125_in

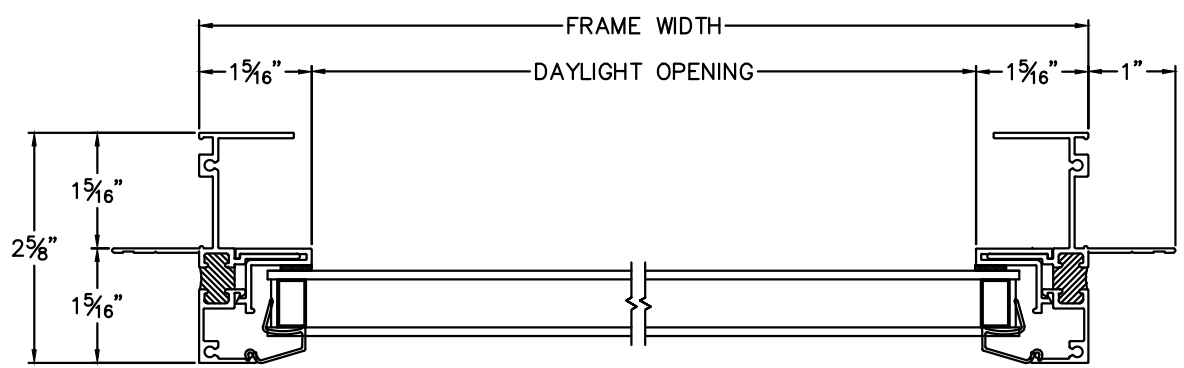
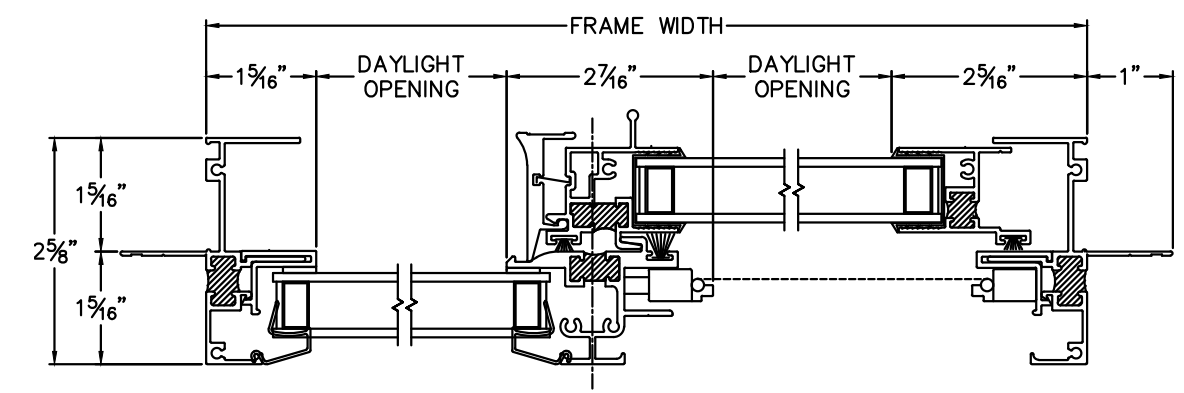
Units
Inch

More Technical Documents can be found at milgard.com/professionals
Due to continual research and development, details may be changed at any time. ©2013 Milgard Mfg.

HORIZONTAL SLIDER SERIES 1120



HEAD & SILL



JAMBS