

# Cross Section Drawing

## Tuscany Double Slider Window 1 3/8" Nailfin Setback Frame



Clearly the best.™

CAD File Scale  
NTS

View  
Horizontal & Vertical

File Name  
Tuscany\_8125\_DS\_1.375in

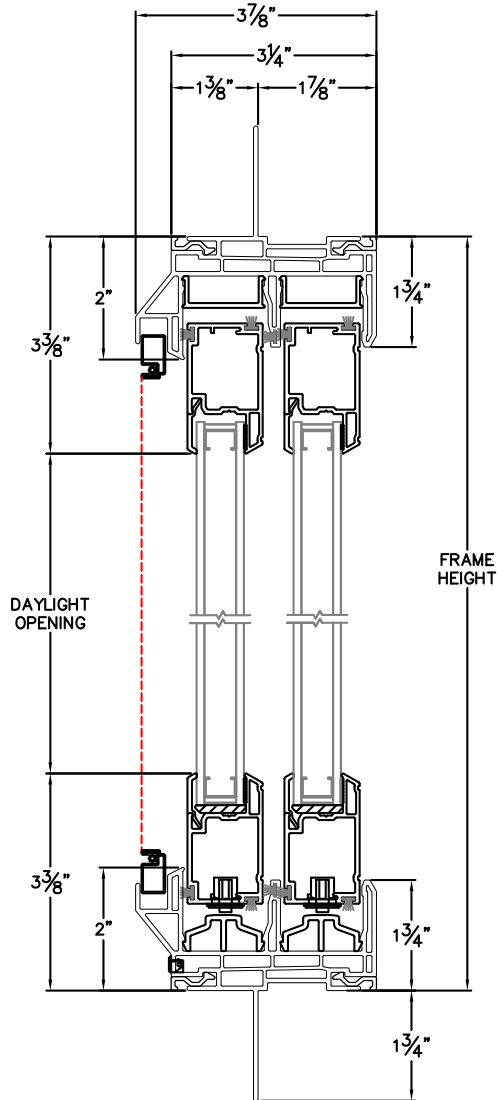
Units  
Inch

Revision  
-

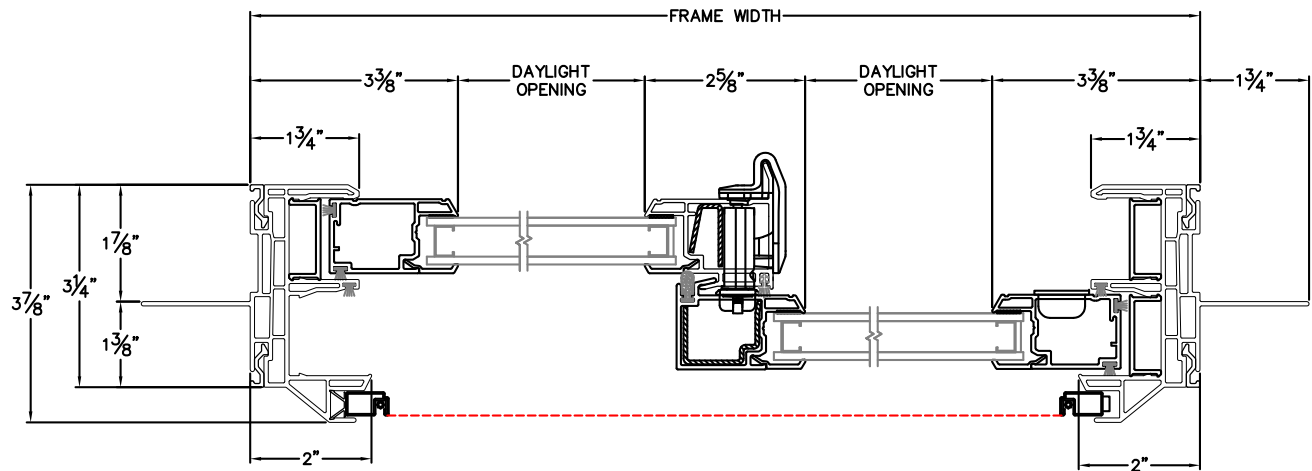
More Technical Documents can be found at [milgard.com/professionals](http://milgard.com/professionals)

Due to continual research and development, details may be changed at any time. ©2013 Milgard Mfg.

### DOUBLE SLIDER SERIES 8125



HEAD & SILL



JAMBS