

# Cross Section Drawing

## Ultra Casement Bay Window 1 3/8" Fin Setback



Clearly the best.™

CAD File Scale  
NTS

View  
Horizontal & Vertical

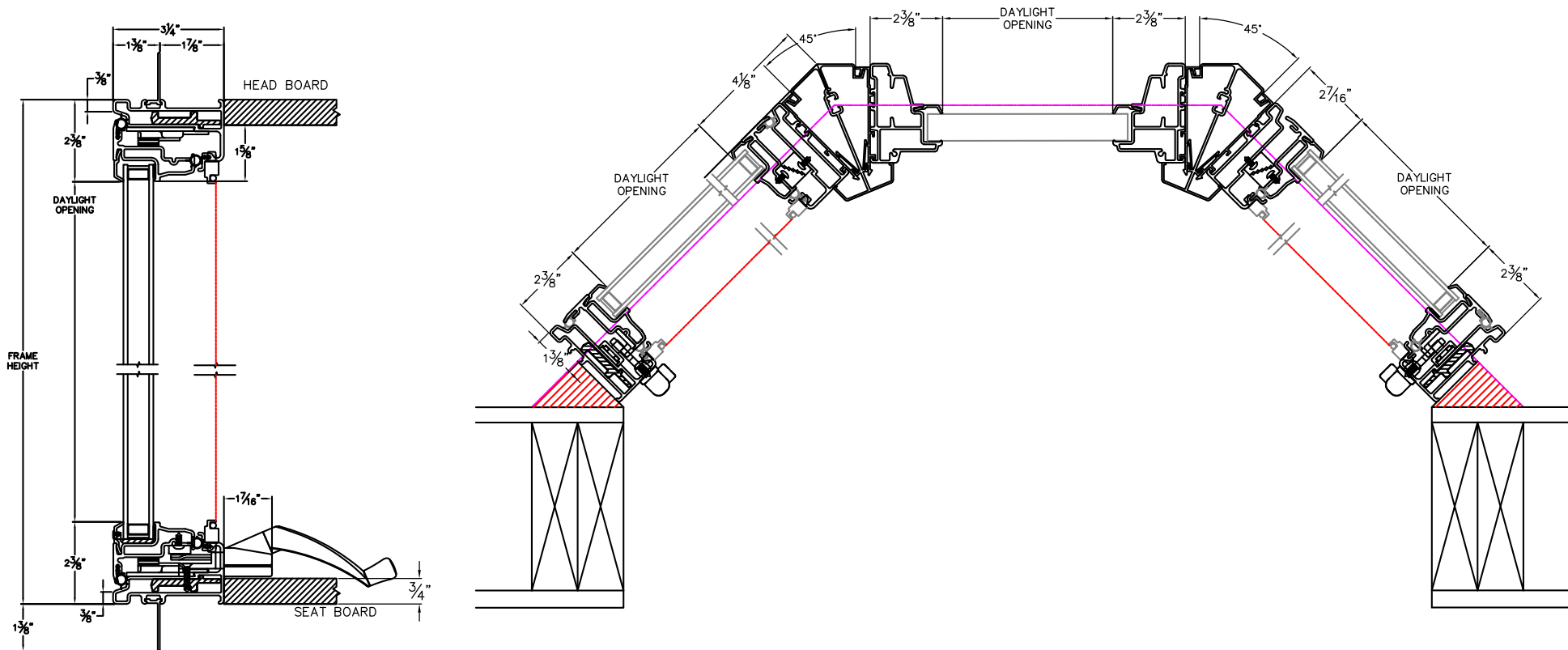
File Name  
Ultra\_3000\_Casement\_Bay

Units  
Inch

More Technical Documents can be found at [milgard.com/professionals](http://milgard.com/professionals)

Due to continual research and development, details may be changed at any time. ©2013 Milgard Mfg.

### BAY WINDOW SERIES 3000



HEAD & SILL

JAMBS