

## Cross Section Drawing

# Ultra French InSwing Door, 2 Panel Passive / Active Block Frame



CAD File Scale  
NTS

View  
Horizontal & Vertical

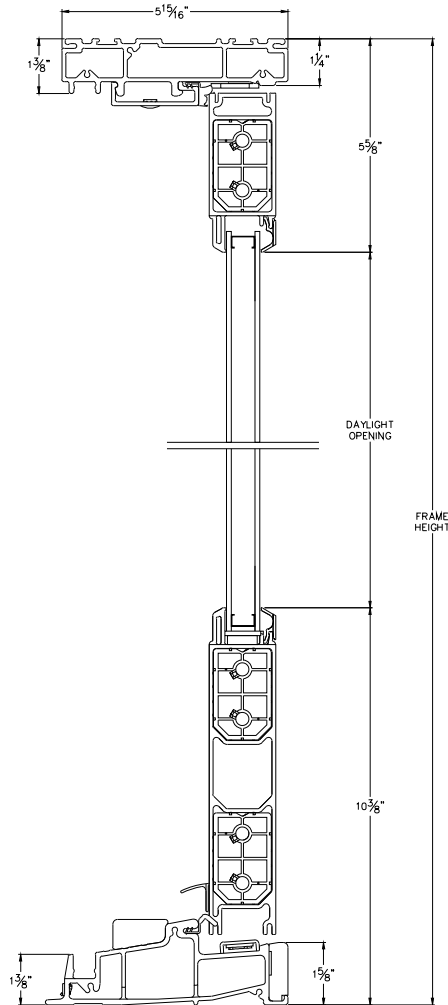
File Name  
Ultra\_3642U\_IS\_AP\_block\_4.563frame

Units  
Inch

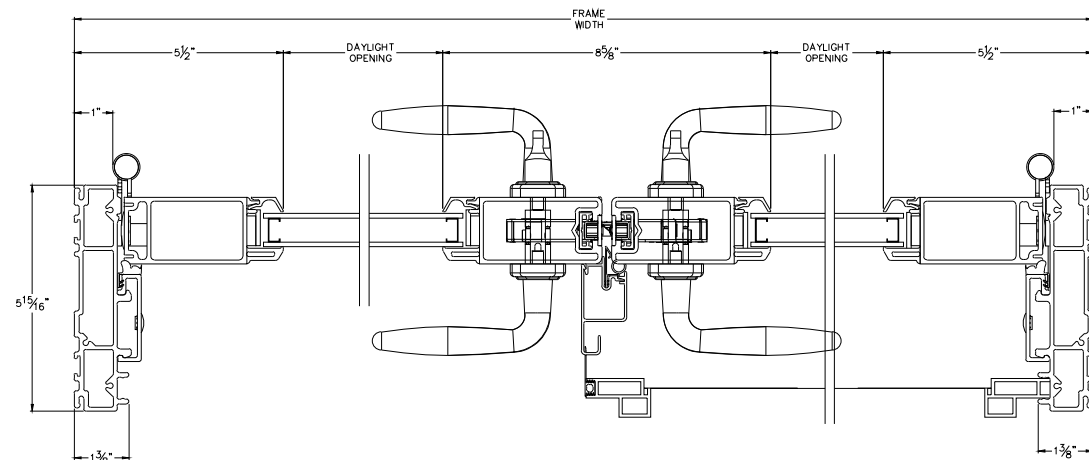
Revision  
05/2016

More Technical Documents can be found at [milgard.com/professionals](http://milgard.com/professionals)  
Due to continual research and development, details may be changed at any time. ©2013 Milgard Mfg.

## IN SWING SERIES 3642



HEAD & SILL



JAMBS