

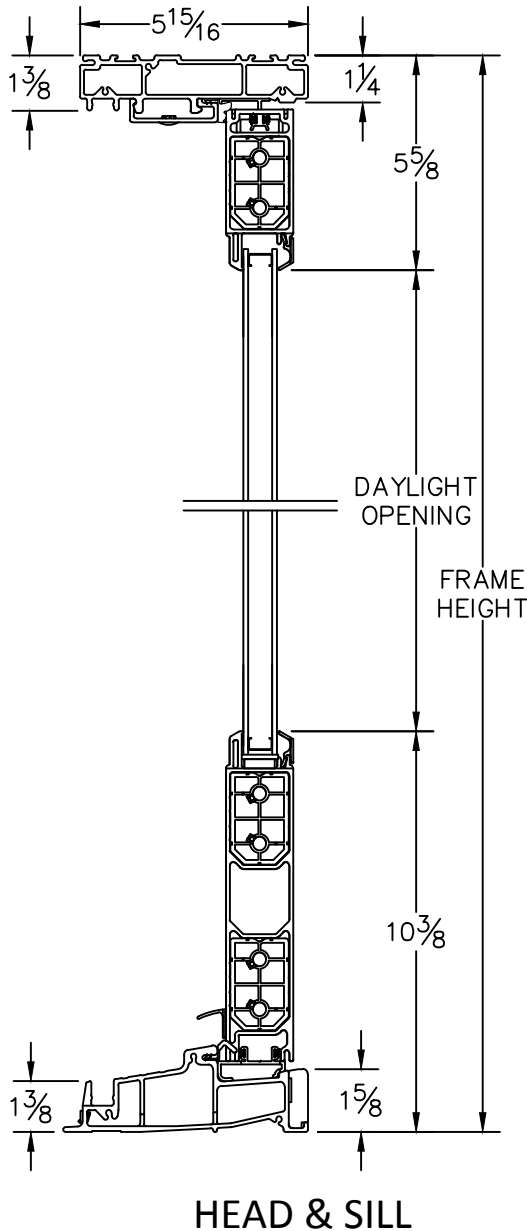
CROSS SECTION DRAWING
Ultra French InSwing Door, 3 Panel Fixed / Fixed / Operable
Block Frame

CAD FILE SCALE	VIEW	FILE NAME	UNITS	REVISION
NTS	HORIZONTAL & VERTICAL	Ultra_3642U_IS_OOR_block_4.563frame	INCH	07/2016

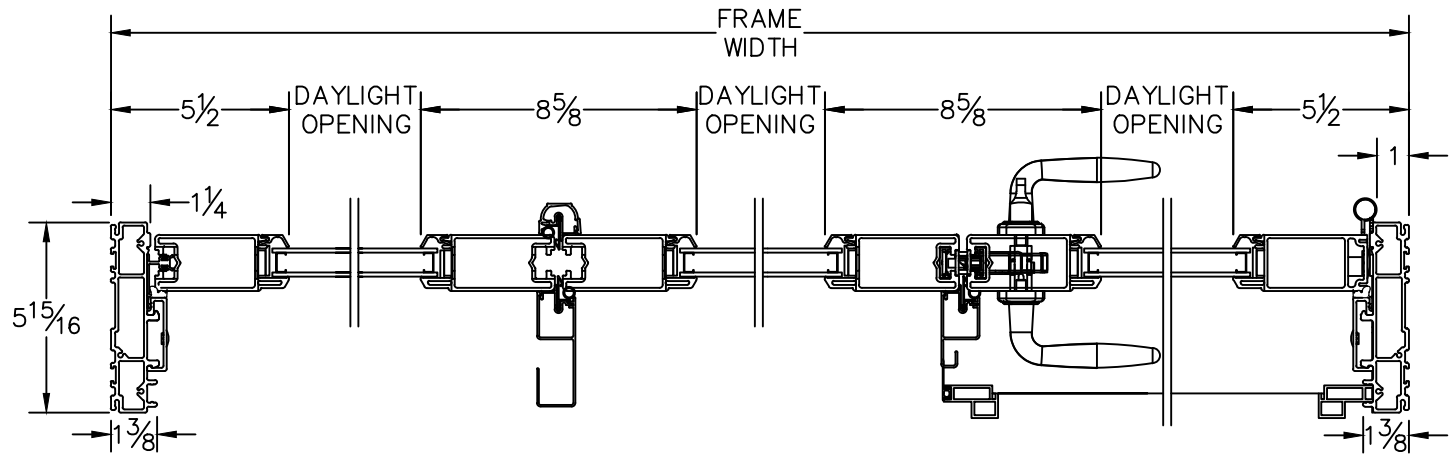
MORE TECHNICAL DOCUMENTS CAN BE FOUND AT MILGARD.COM/PROFESSIONALS

DUE TO CONTINUAL RESEARCH AND DEVELOPMENT, DETAILS MAY BE CHANGED AT ANY TIME. © 2016 MILGARD MFG.

INSWING
SERIES 3642



HEAD & SILL



JAMBS