

Cross Section Drawing

Ultra French OutSwing Door, 2 Panel Passive/Active 2 1/4" Contour Z Bar



Clearly the best.

CAD File Scale
NTS

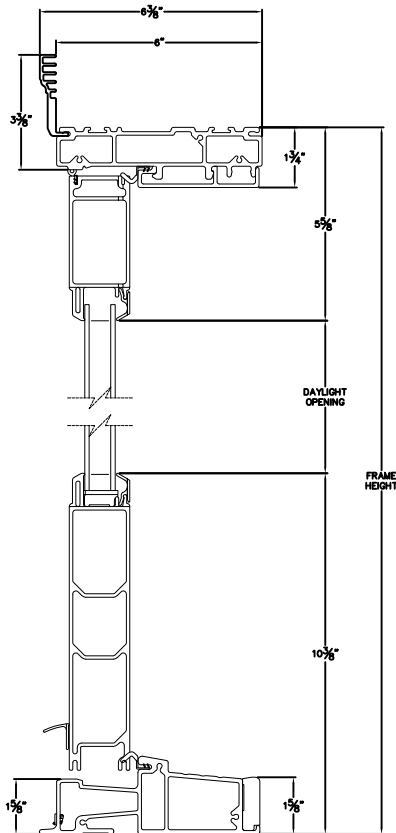
View
Horizontal & Vertical

File Name
Ultra_3645_OS_AP_2.25in-z-bar

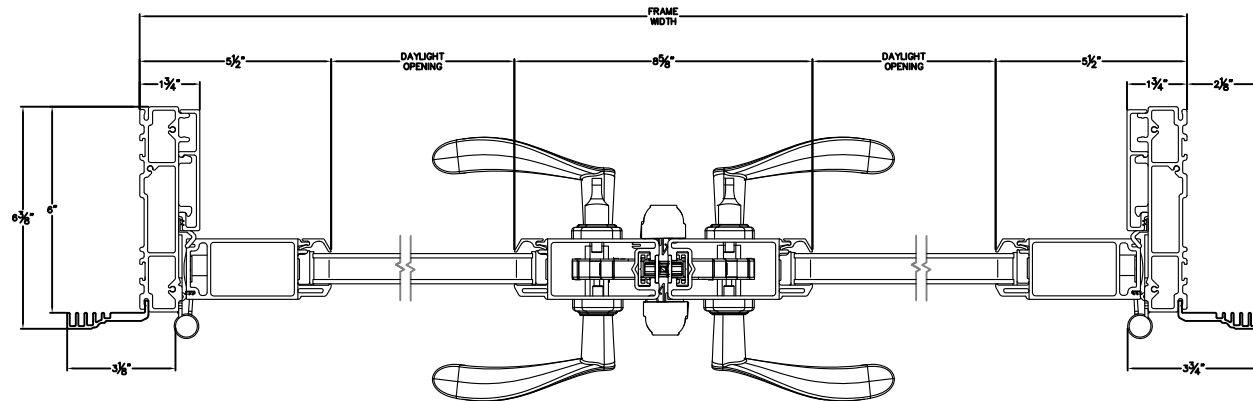
Units
Inch

More Technical Documents can be found at milgard.com/professionals
Due to continual research and development, details may be changed at any time. ©2013 Milgard Mfg.

OUT SWING SERIES 3645



HEAD & SILL



JAMBS