

**Cross Section Drawing**  
**AX550 Stacking Door O1X Tall Sill**  
**Block Frame**



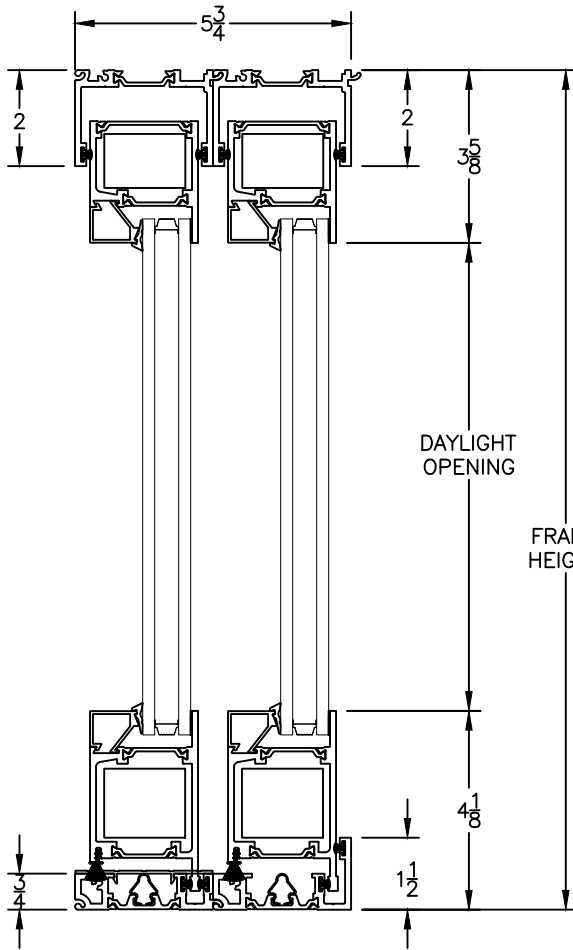
*Clearly the best.™*

CAD File Scale	View	File Name	Units	Revision
NTS	Horizontal & Vertical	AX550_11601_Stack_O1X_Tall_Sill_Block	Inch	02/2021

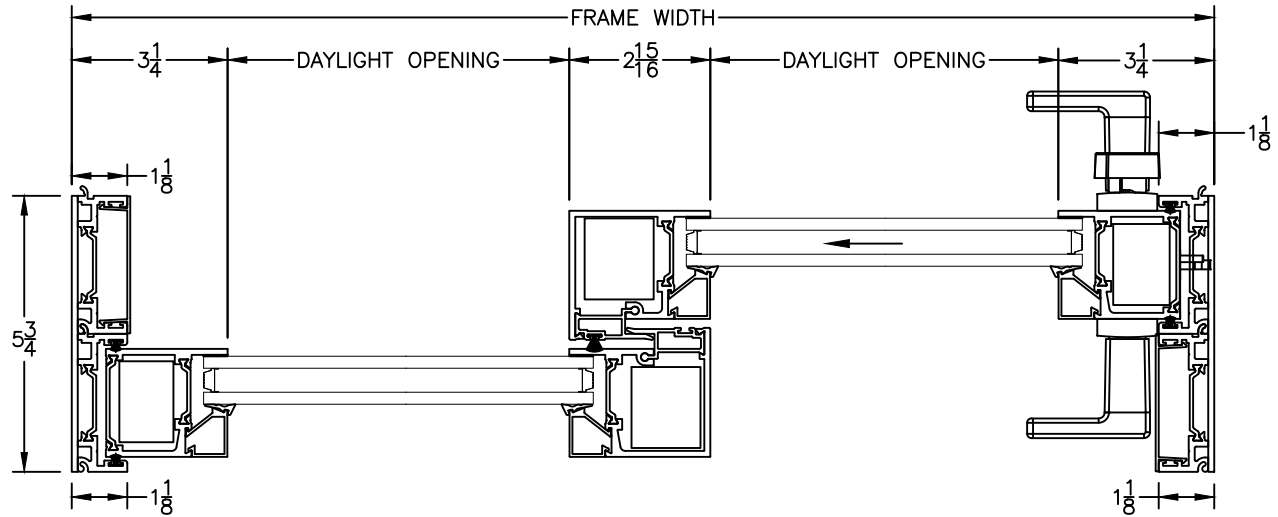
More Technical Documents can be found at [milgard.com/professionals](http://milgard.com/professionals)  
 Due to continual research and development, details may be changed at any time. ©2021 Milgard Mfg.

**STACKING**  
**SERIES 11601**

Configuration 01X shown  
 Configuration 1X0 also available



**HEAD & SILL**



**JAMBS**