

Cross Section Drawing
AX550 Bi-Fold Doors 3L1R Low Sill
Block Frame



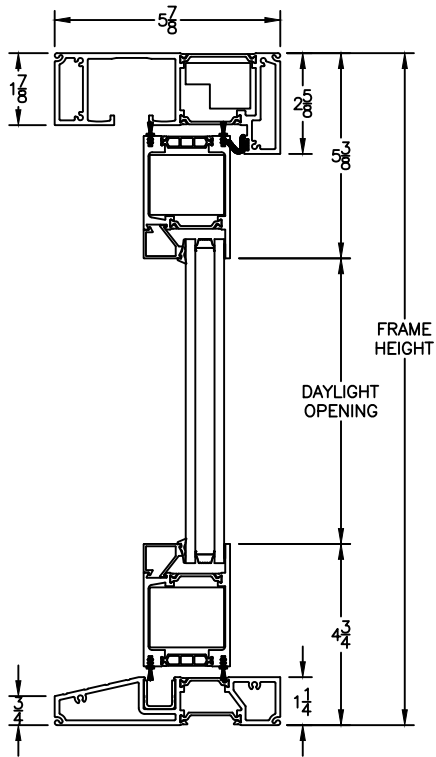
Clearly the best.™

CAD File Scale	View	File Name	Units	Revision
NTS	Horizontal & Vertical	AX550_11620_BI_3L1R_Low_Sill_Block	Inch	02/2021

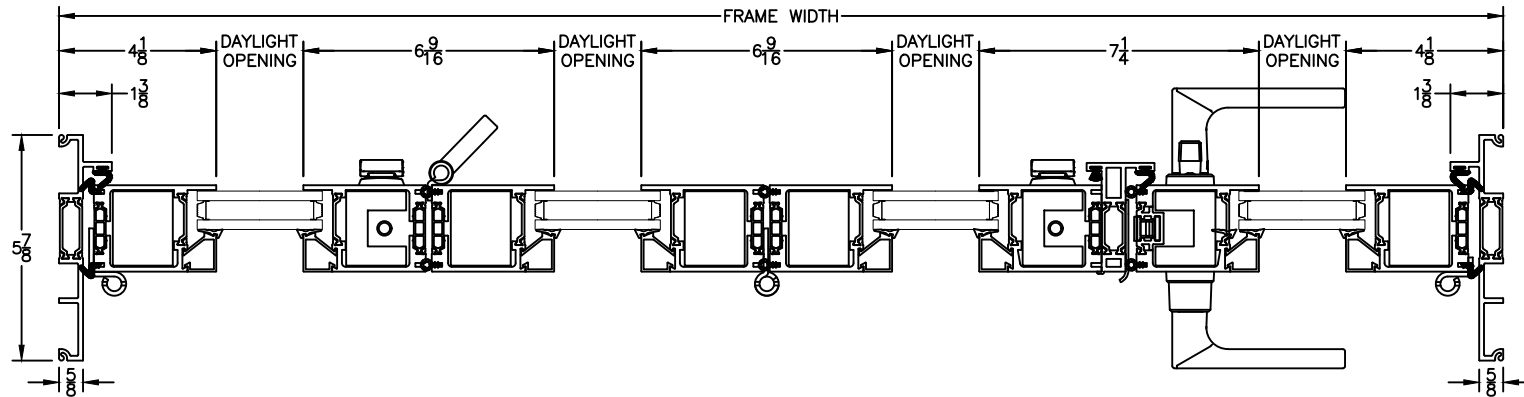
More Technical Documents can be found at milgard.com/professionals
 Due to continual research and development, details may be changed at any time. ©2021 Milgard Mfg.

BI-FOLD
SERIES 11620

Configuration 3L1R shown
 Configuration 1L3R also available



HEAD & SILL



JAMBS