

**Cross Section Drawing**  
**StyleLine Single Casement Window**  
**1" Nailfin Setback Frame w/ Stucco Key**



CAD File Scale  
NTS

View  
Horizontal & Vertical

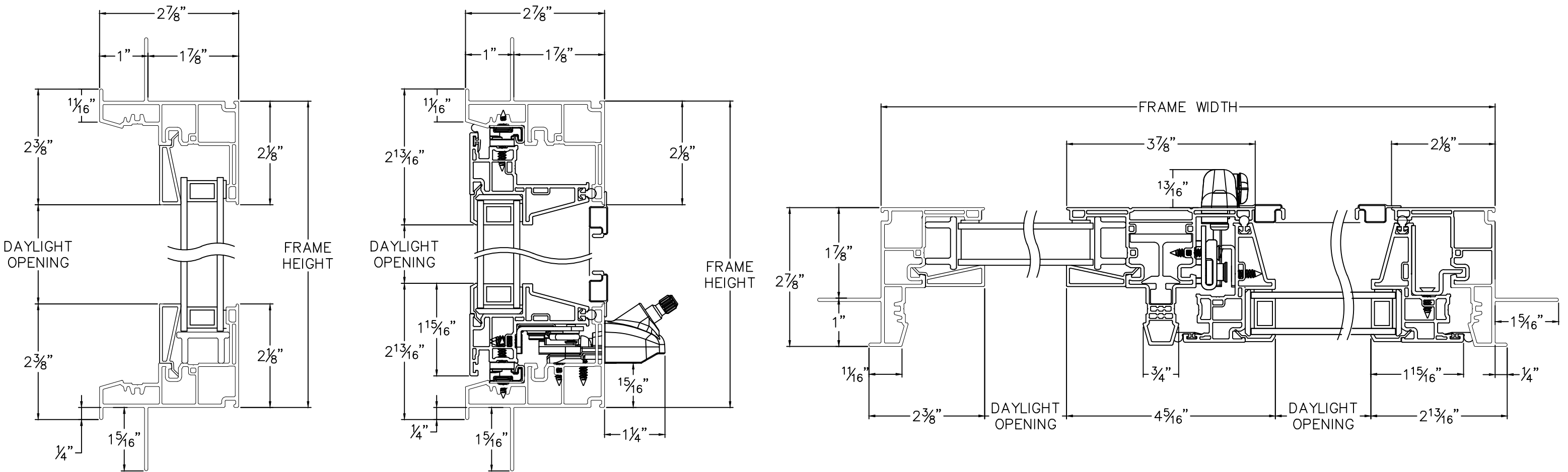
File Name  
StyleLine\_6530\_SC\_1in

Units  
Inch

Revision  
11/2021

More Technical Documents can be found at [milgard.com/professionals](http://milgard.com/professionals)  
 Due to continual research and development, details may be changed at any time. ©2013 Milgard Mfg.

**CASEMENT**  
**SERIES 6530**



HEAD & SILL

JAMBS