

# Cross Section Drawing

## Trinsic Horizontal Slider Below Window 1 3/8" Nailfin Setback Frame



CAD File Scale  
NTS

View  
Horizontal & Vertical

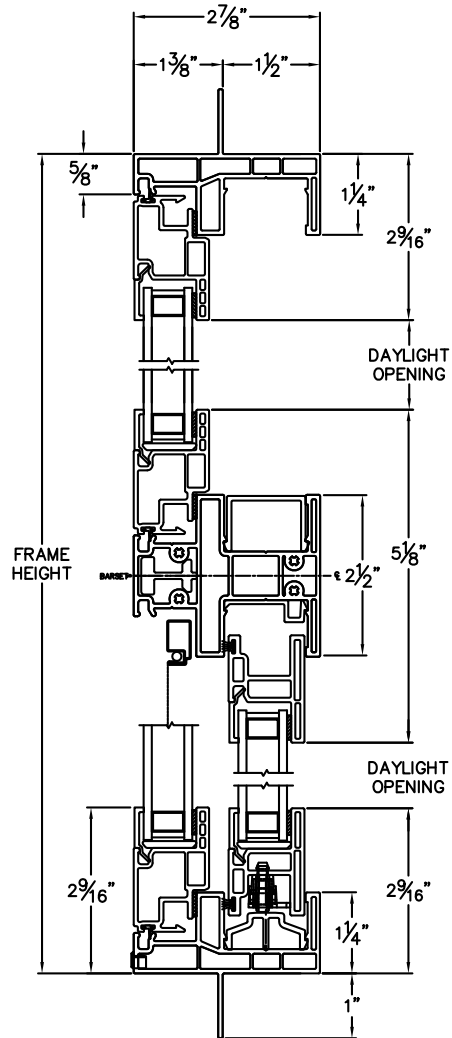
File Name  
TRINSIC\_2110\_HVB\_1.375in

Units  
Inch

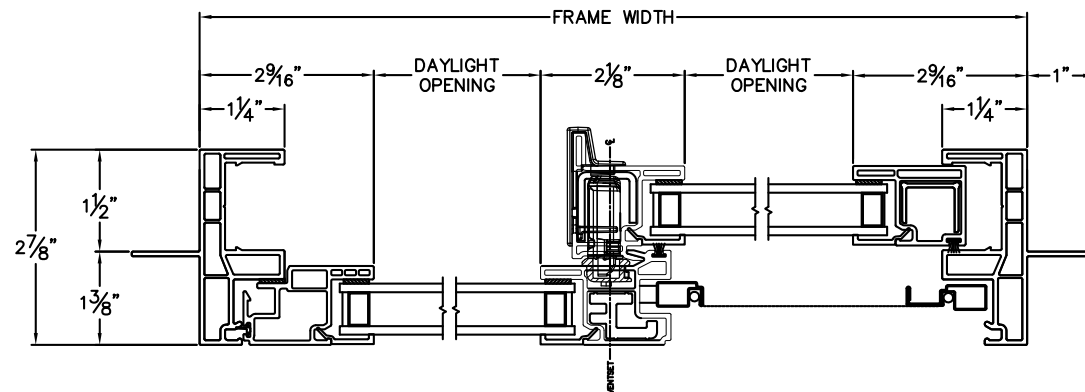
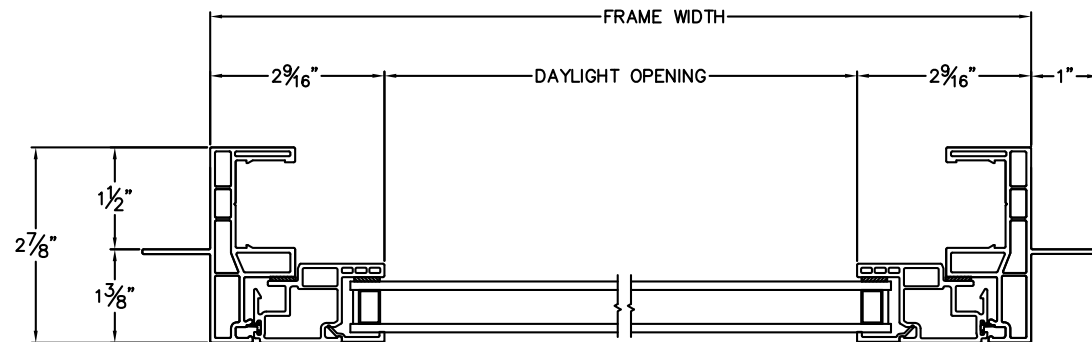
Revision  
08/2018

More Technical Documents can be found at [milgard.com/professionals](http://milgard.com/professionals)  
Due to continual research and development, details may be changed at any time. ©2018 Milgard Mfg.

### HALF VENT BELOW SERIES 2110



HEAD & SILL



JAMBS