

Cross Section Drawing

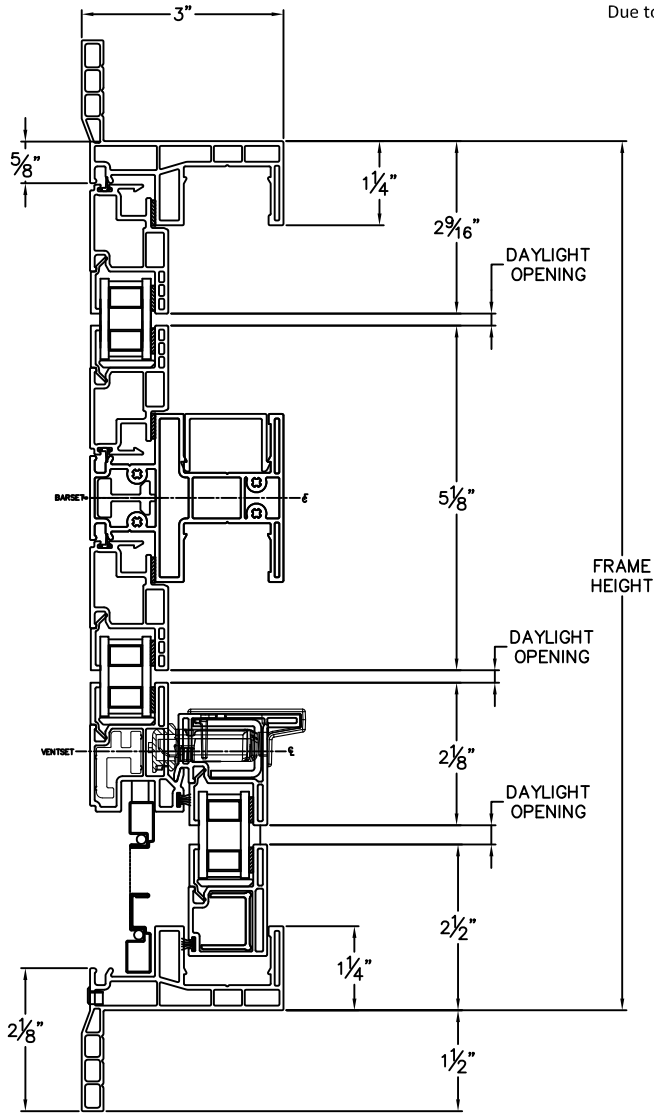
Trinsic Single Hung Below Window 1 1/2" Contour Z-Bar Frame



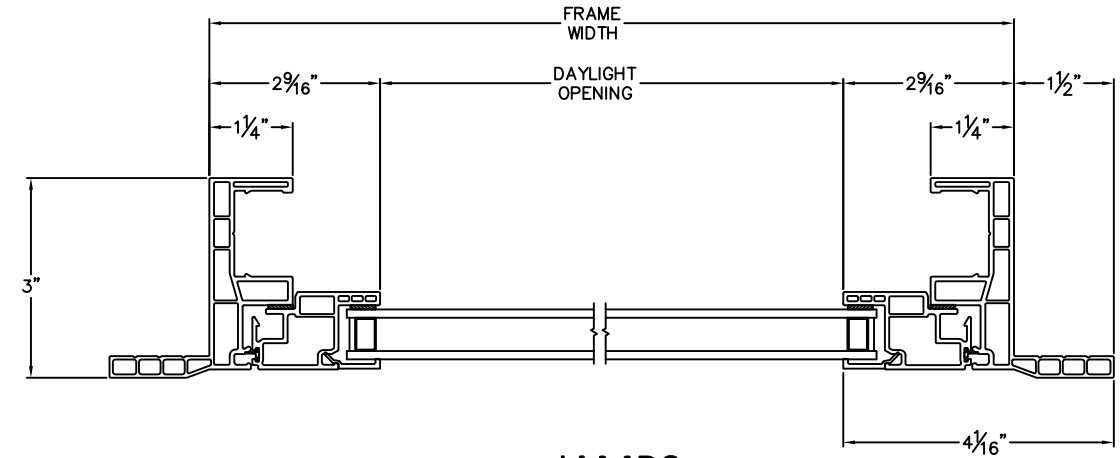
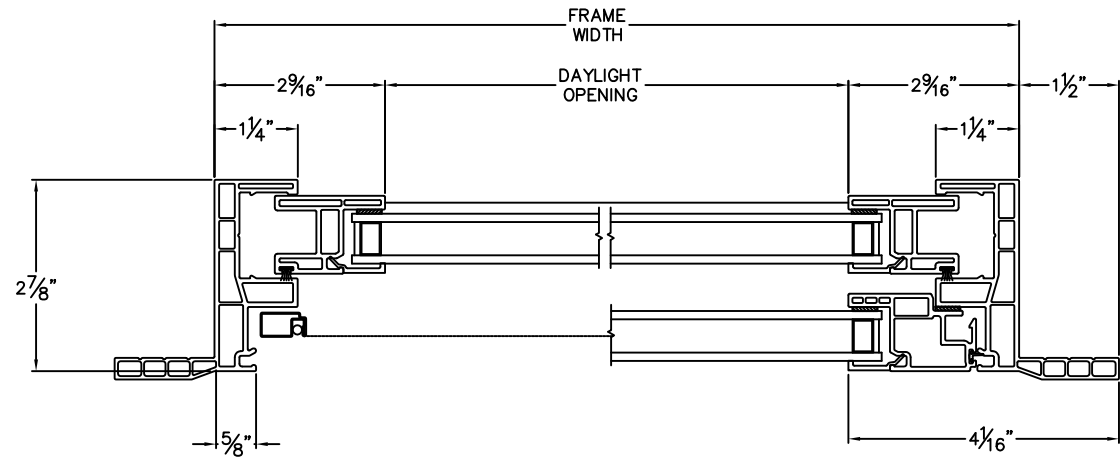
CAD File Scale	View	File Name	Units	Revision
NTS	Horizontal & Vertical	Trinsic_2270_SHB_1.5in_Z-Bar	Inch	08/2018

More Technical Documents can be found at milgard.com/professionals
 Due to continual research and development, details may be changed at any time. ©2018 Milgard Mfg.

SINGLE HUNG BELOW SERIES 2270



HEAD & SILL



JAMBS