

# Cross Section Drawing

## Trinsic Double Casement Window

### 1" Nailfin Setback Accessory Groove Frame, 3/4" Flat "J" Channel



Clearly the best.™

CAD File Scale  
NTS

View  
Horizontal & Vertical

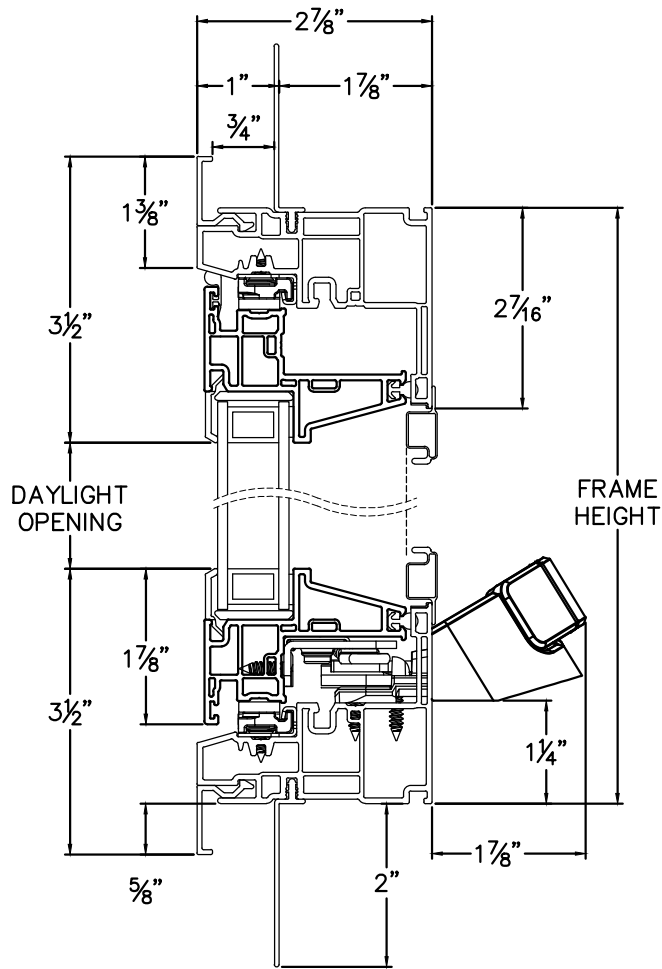
File Name  
Trinsic\_2530J\_DC\_1in\_j-channel

Units  
Inch

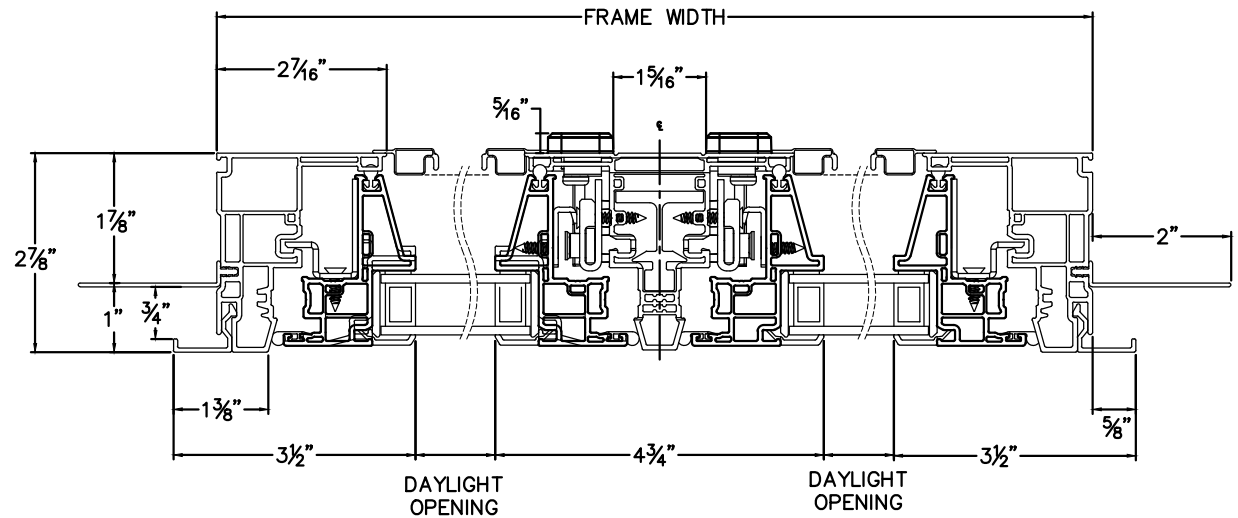
Revision  
2/2020

More Technical Documents can be found at [milgard.com/professionals](http://milgard.com/professionals)  
Due to continual research and development, details may be changed at any time. ©2020 Milgard Mfg.

## DOUBLE CASEMENT SERIES 2530J



HEAD & SILL



JAMBS