

Cross Section Drawing
Trinsic Sliding Door, 3 Panel (XOO/OOX)
1 3/8" Fin Set Back Frame



CAD File Scale
NTS

View
Horizontal & Vertical

File Name
Trinsic_2610_SGD_XOO_1.375in FIN SET BACK

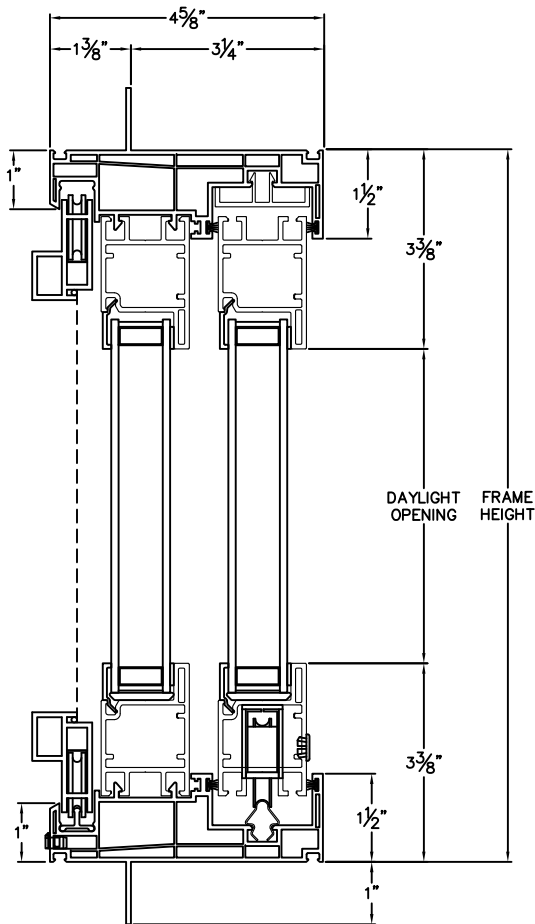
Units
Inch

Revision
04/2018

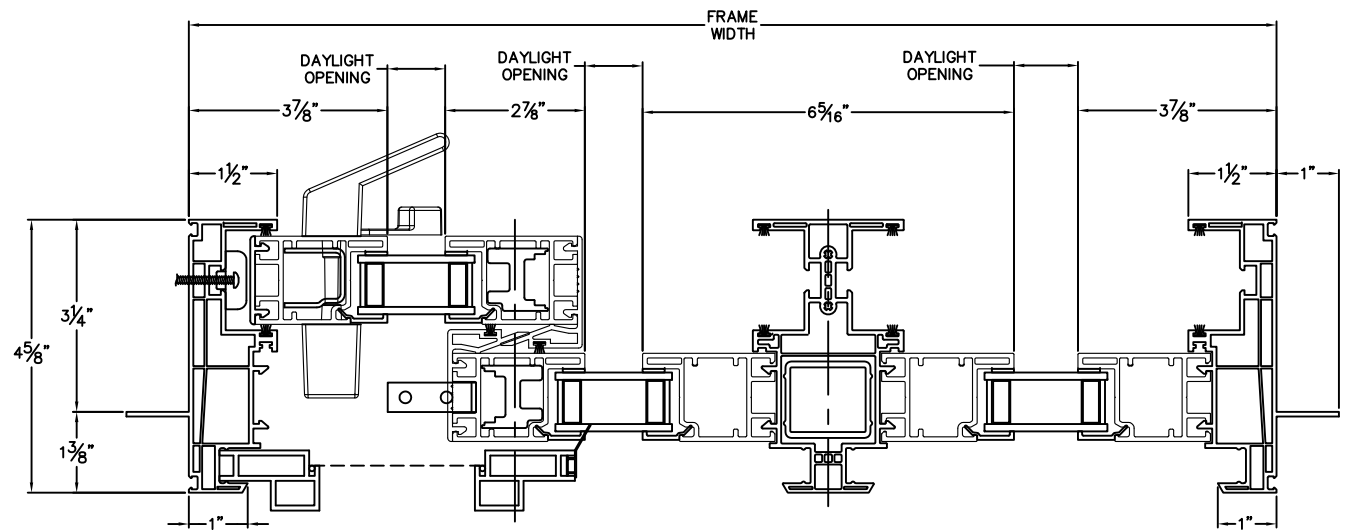
More Technical Documents can be found at milgard.com/professionals
 Due to continual research and development, details may be changed at any time. ©2018 Milgard Mfg.

SLIDING DOOR
SERIES 2610

XOO Configuration shown
 OOX Configuration also available



HEAD & SILL



JAMBS