

Cross Section Drawing
V150 Sliding Door OXXO
Block Frame

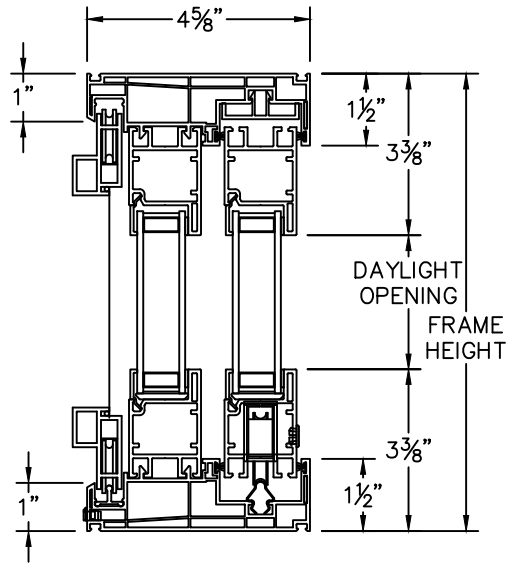


Clearly the best.™

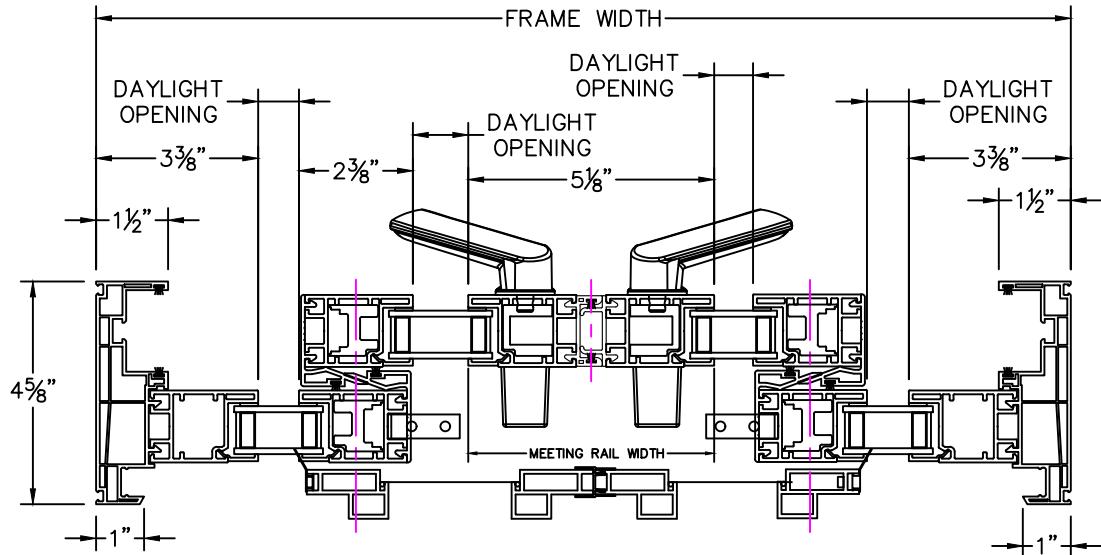
CAD File Scale	View	File Name	Units	Revision
NTS	Horizontal & Vertical	V150_2610B_SGD_OXXO_block	Inch	7/2021

More Technical Documents can be found at milgard.com/professionals
 Due to continual research and development, details may be changed at any time. ©2021 Milgard Mfg.

SLIDING DOOR
SERIES 2610B



HEAD & SILL



JAMBS