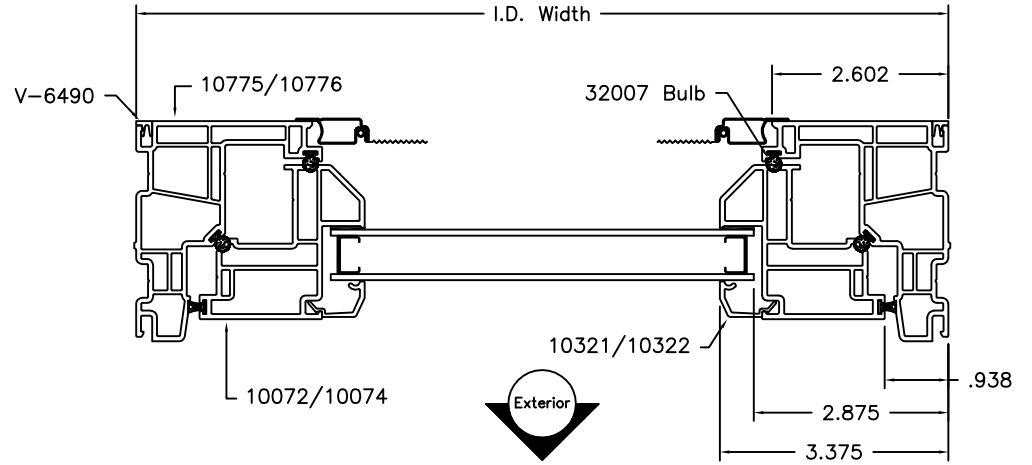
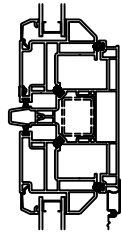
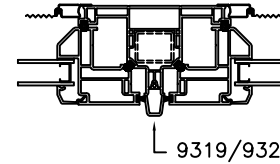



Fixed Over Casement
Impost Detail
Continuous Frame
Shown 1/4 Scale

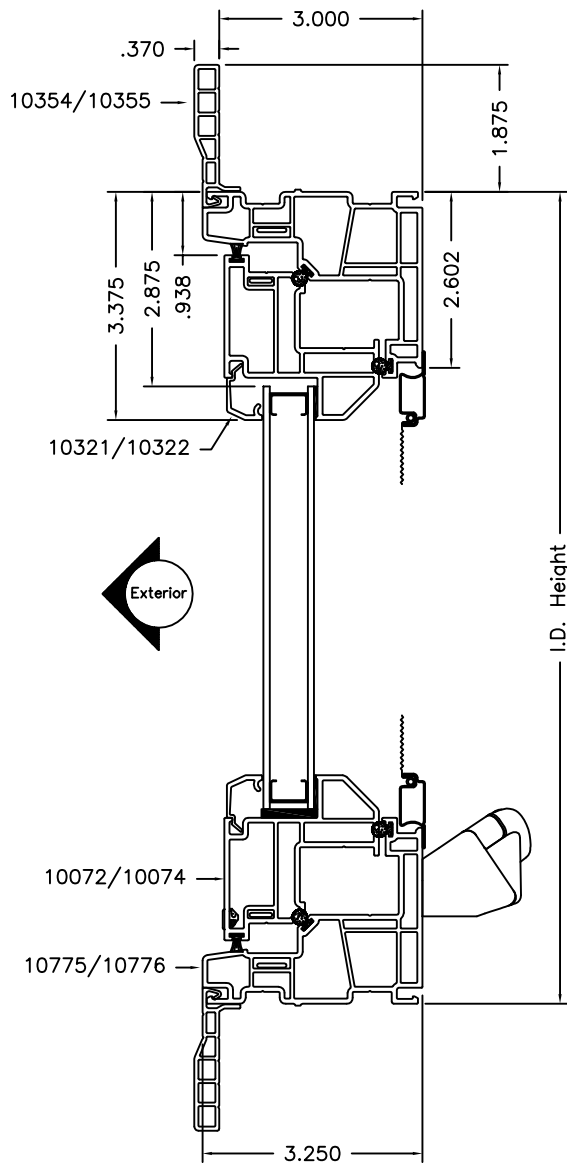


Multi-Panel Impost
Shown 1/4 Scale

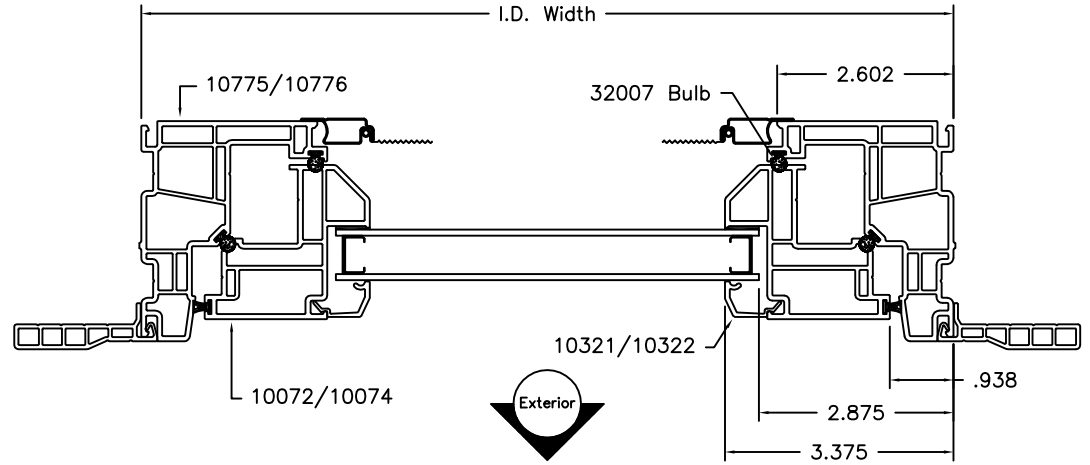
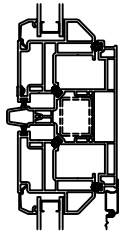


			MATERIAL:		 MILGARD WINDOWS & DOORS 1010 54th Ave E, Fife, WA 98424	DESCRIPTION: Cross Sectional Drawing Finless Frame	
			FINISH:	UNSPECIFIED WALL:		PRODUCT: V450	DATE: 10/01/12
			AREA:	BREAK ALL CORNERS R.015, UNLESS OTHERWISE SPECIFIED		SCALE: Half	PART NUMBER:
F	135A-15	Revised sash profiles to Non Air Cell	11/09/15			T.C.	DFTM: T.C.
E	067A-15	New frame without air cell	06/10/15	T.C.			
LTR	ECN #	REVISIONS	DATE	BY	PERIMETER:		

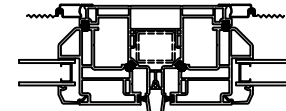
The information, design or data shown on this document or electronic media is the exclusive property of Milgard Windows and Doors, LLC. It is considered confidential and proprietary and is made available for limited use only. Its use or reproduction without the expressed written consent of Milgard Windows and Doors, LLC., is prohibited.




Fixed Over Casement
Impost Detail
Continuous Frame
Shown 1/4 Scale



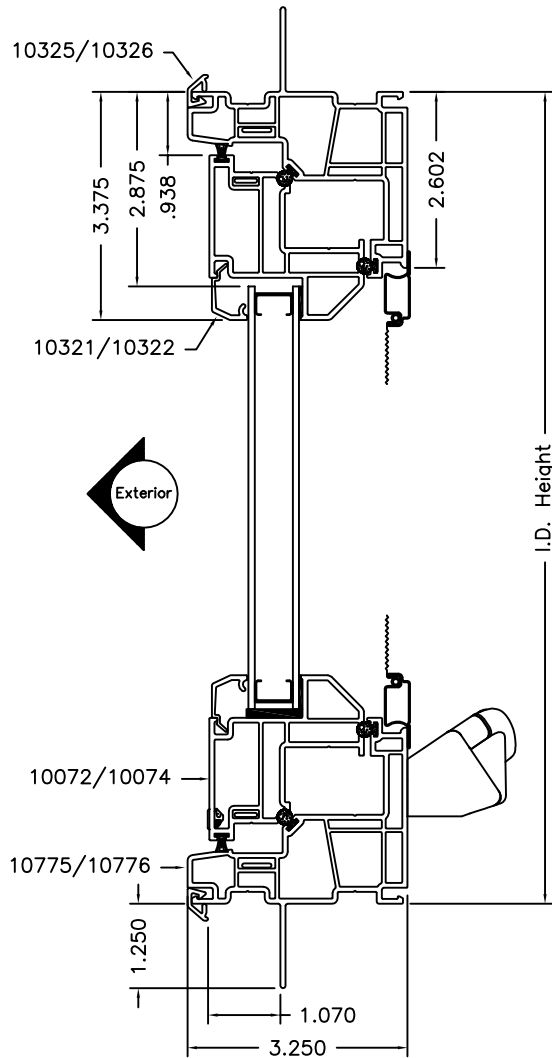
Multi-Panel Impost
Shown 1/4 Scale



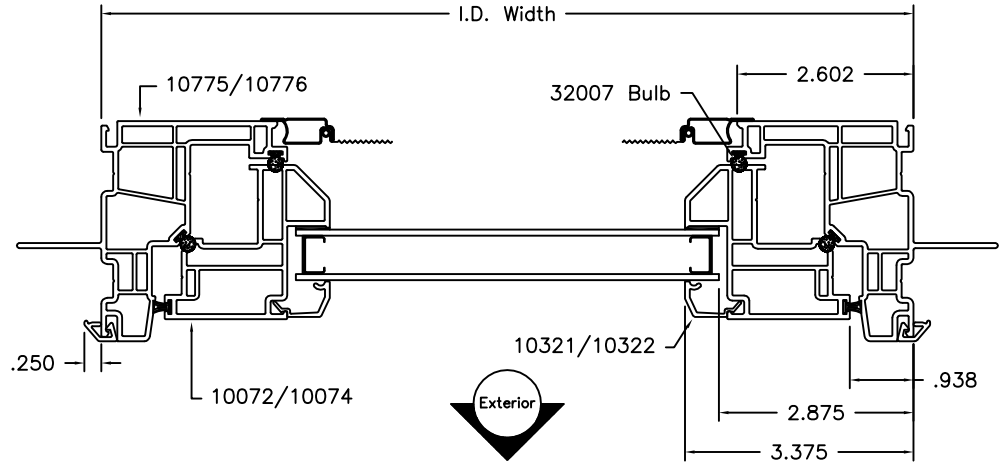
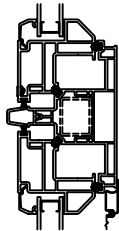
9319/9320

				MATERIAL:		 MILGARD WINDOWS & DOORS 1010 54th Ave E, Fife, WA 98424	DESCRIPTION: Cross Sectional Drawing Flange Frame	
				FINISH:			PRODUCT: V450	
				AREA:			DATE: 10/01/12	
				UNSPECIFIED WALL:			SCALE: Half	
F	135A-15	Revised sash profiles to Non Air Cell	11/09/15	T.C.	BREAK ALL CORNERS R.015, UNLESS OTHERWISE SPECIFIED	PART NUMBER:		
E	067A-15	New frame without air cell	06/10/15	T.C.		DFTM: T.C.		
LTR	ECN #	REVISIONS	DATE	BY		DRAWING NUMBER: CS-000092		

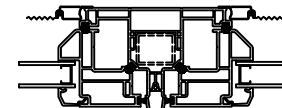
The information, design or data shown on this document or electronic media is the exclusive property of Milgard Windows and Doors, LLC. It is considered confidential and proprietary and is made available for limited use only. Its use or reproduction without the expressed written consent of Milgard Windows and Doors, LLC., is prohibited.




Fixed Over Casement
Impost Detail
Continuous Frame
Shown 1/4 Scale



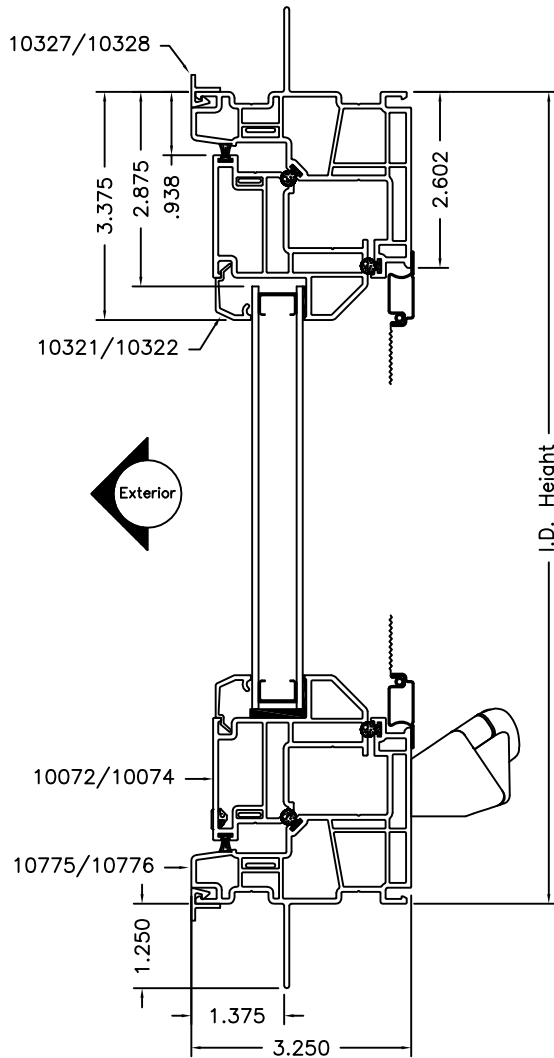
Multi-Panel Impost
Shown 1/4 Scale



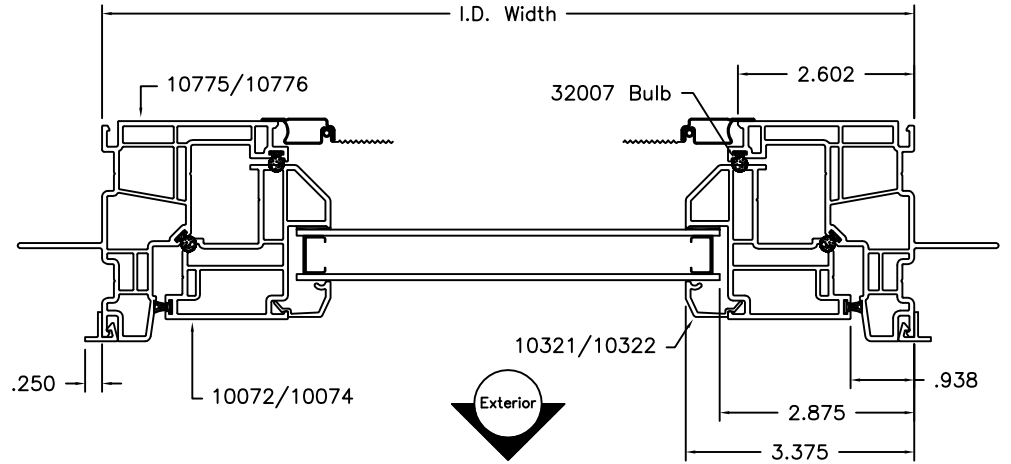
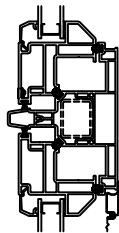
9319/9320

				MATERIAL:		 MILGARD WINDOWS & DOORS 1010 54th Ave E, Fife, WA 98424	DESCRIPTION: Cross Sectional Drawing Fin Frame, 1" Setback	
				FINISH:			PRODUCT: V450	
				AREA:			DATE: 10/01/12	
				UNSPECIFIED WALL:			SCALE: Half	
F	135A-15	Revised sash profiles to Non Air Cell	11/09/15	T.C.	WEIGHT:		PART NUMBER:	
E	067A-15	New frame without air cell	06/10/15	T.C.	PERIMETER:		DRAWING NUMBER: CS-000091	
LTR	ECN #	REVISIONS	DATE	BY	BREAK ALL CORNERS R.015, UNLESS OTHERWISE SPECIFIED		DFTM: T.C.	

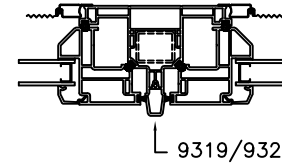
The information, design or data shown on this document or electronic media is the exclusive property of Mil Windows and Doors, LLC. It is considered confidential and proprietary and is made available for limited use only. Its use or reproduction without the expressed written consent of Mil Windows and Doors, LLC., is prohibited.




Fixed Over Casement
Impost Detail
Continuous Frame
Shown 1/4 Scale

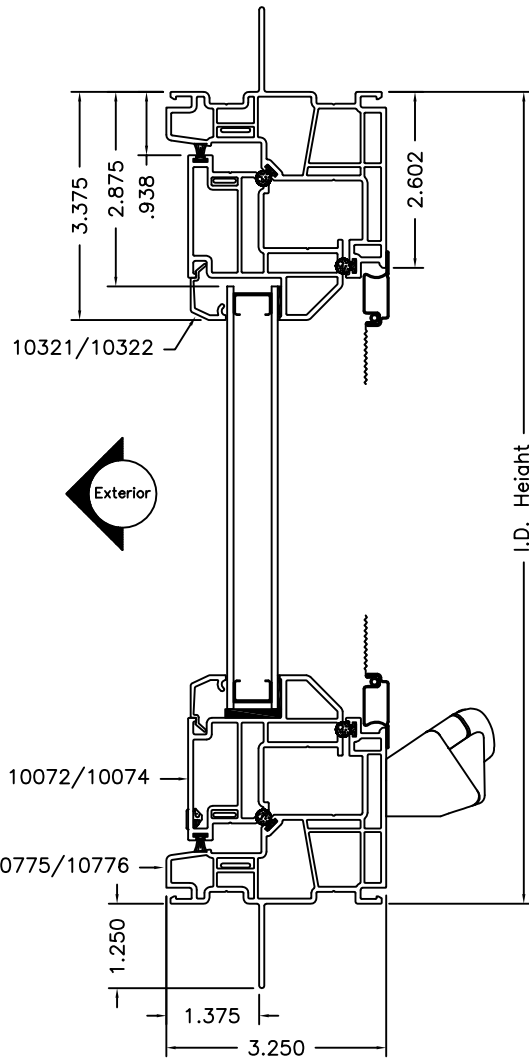


Multi-Panel Impost
Shown 1/4 Scale

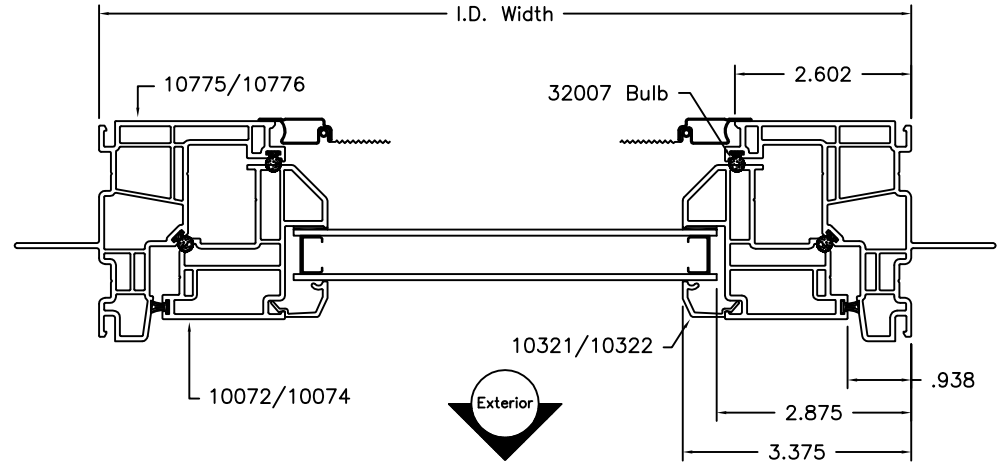
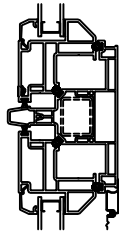


						MATERIAL:	 MILGARD WINDOWS & DOORS 1010 54th Ave E, Fife, WA 98424	DESCRIPTION: Cross Sectional Drawing Fin Frame, 1 3/8" Setback, With Stucco Key		
						FINISH:		UNSPECIFIED WALL:	PRODUCT: V450	DATE: 10/01/12
						AREA:		BREAK ALL CORNERS R.015, UNLESS OTHERWISE SPECIFIED	SCALE: Half	PART NUMBER:
F	135A-15	Revised sash profiles to Non Air Cell	11/09/15	T.C.		WEIGHT:			PERIMETER:	DFTM: T.C.
E	067A-15	New frame without air cell	06/10/15	T.C.						
LTR	ECN #	REVISIONS	DATE	BY						

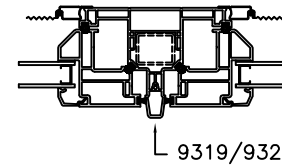
The information, design or data shown on this document or electronic media is the exclusive property of Milgard Windows and Doors, LLC. It is considered confidential and proprietary and is made available for limited use only. Its use or reproduction without the expressed written consent of Milgard Windows and Doors, LLC., is prohibited.




Fixed Over Casement
Impost Detail
Continuous Frame
Shown 1/4 Scale



Multi-Panel Impost
Shown 1/4 Scale



				MATERIAL:		 MILGARD WINDOWS & DOORS 1010 54th Ave E, Fife, WA 98424	DESCRIPTION: Cross Sectional Drawing Fin Frame, 1 3/8" Setback	
				FINISH:	UNSPECIFIED WALL:		PRODUCT: V450	DATE: 10/01/12
				AREA:	BREAK ALL CORNERS R.015, UNLESS OTHERWISE SPECIFIED		The information, design or data shown on this document or electronic media is the exclusive property of Milgard Windows and Doors, LLC. It is considered confidential and proprietary and is made available for limited use only. Its use or reproduction without the expressed written consent of Milgard Windows and Doors, LLC., is prohibited.	
F	135A-15	Revised sash profiles to Non Air Cell	11/09/15	T.C.			WEIGHT:	SCALE: Half
E	067A-15	New frame without air cell	06/10/15	T.C.	PERIMETER:	DFTM: T.C.	DRAWING NUMBER: CS-000089	
LTR	ECN #	REVISIONS	DATE	BY				