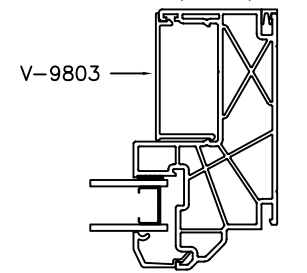
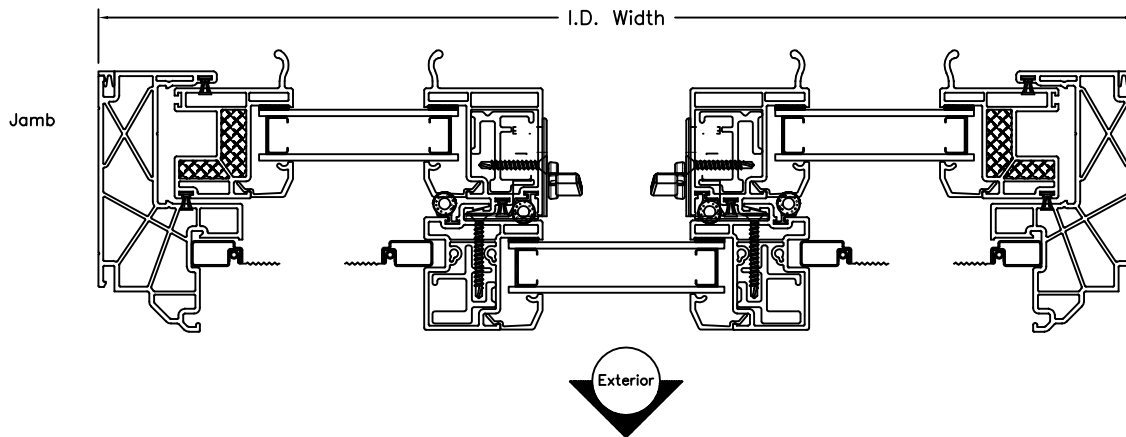
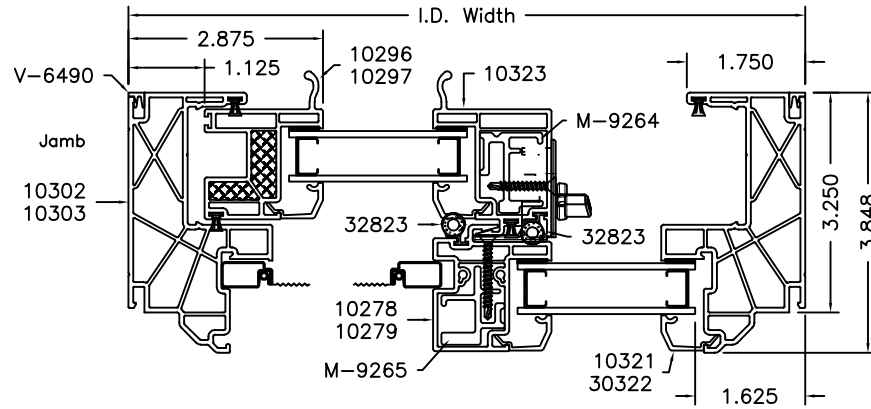
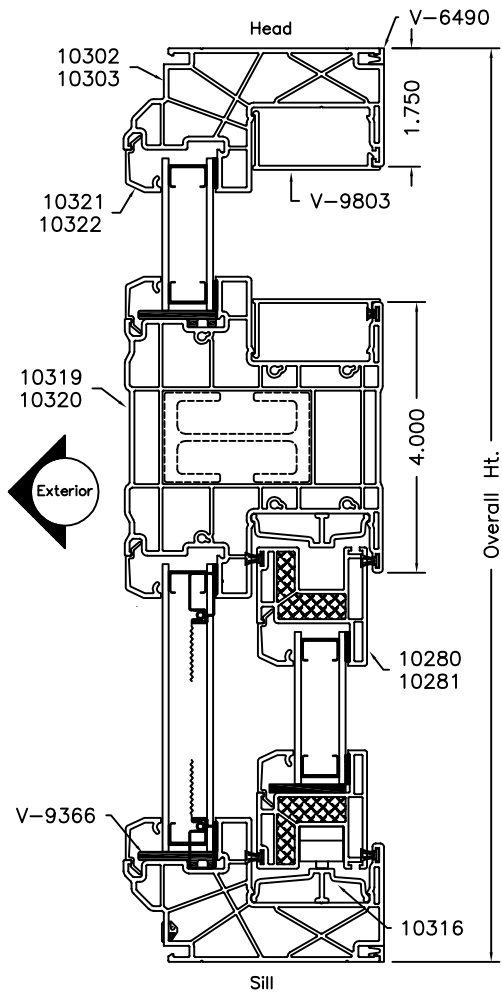



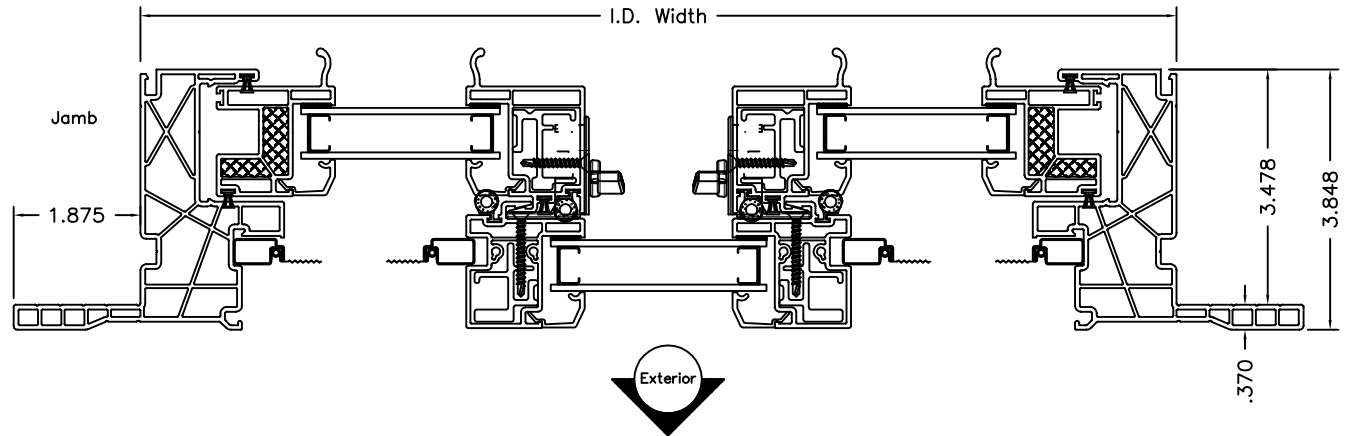
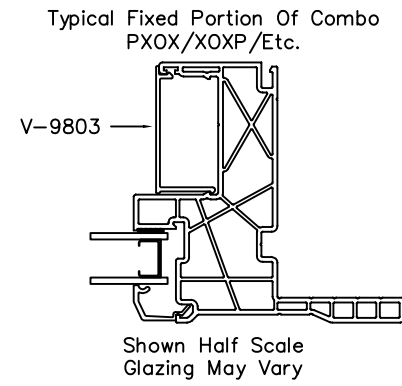
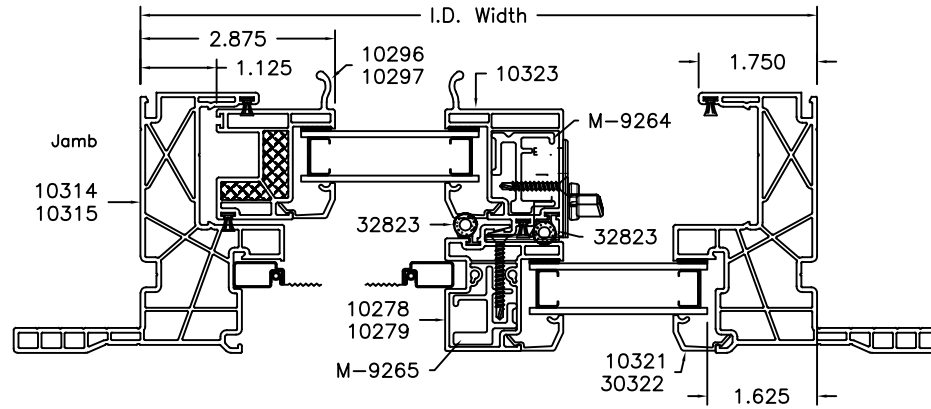
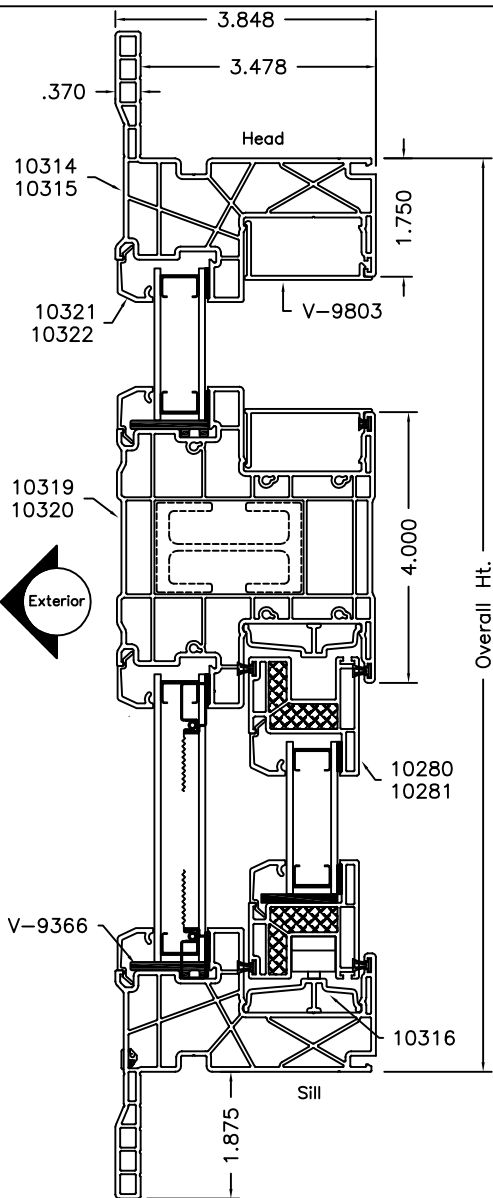
Typical Fixed Portion Of Combo  
PXOX/XOXP/Etc.



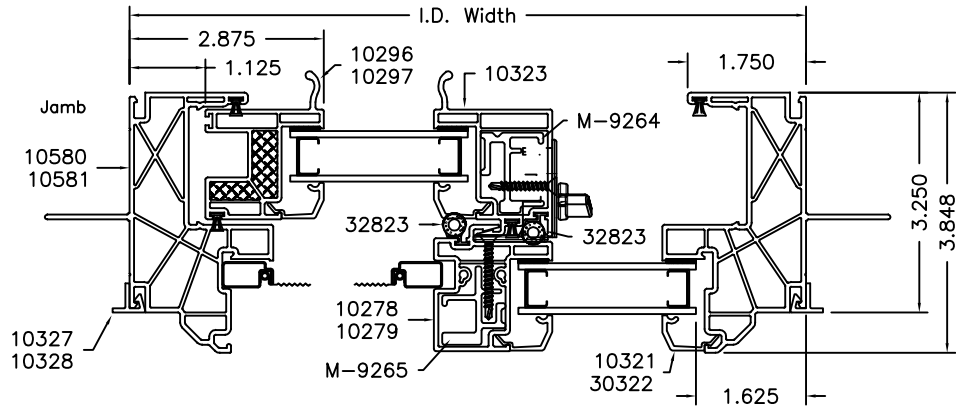
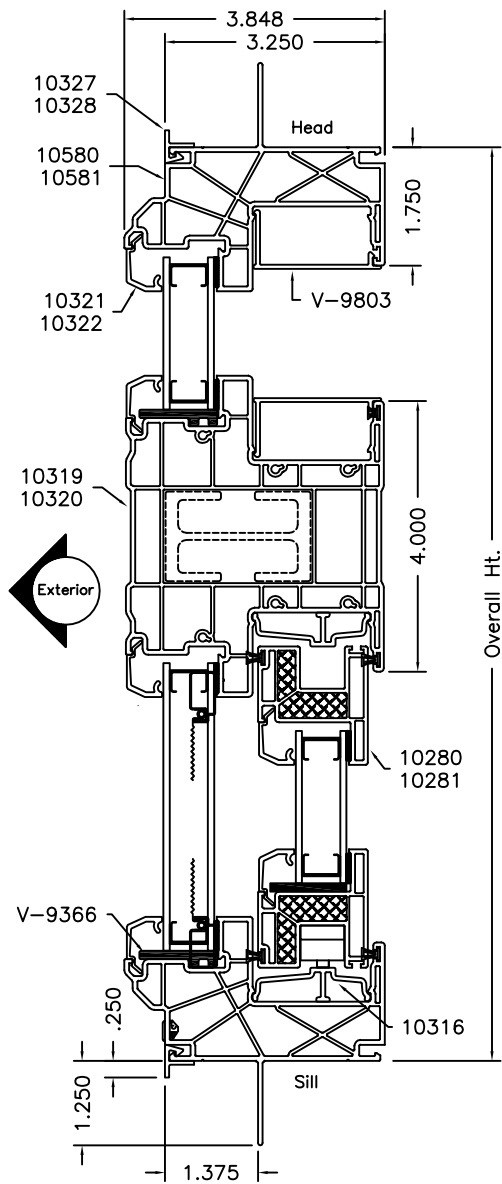
Shown Half Scale  
Glazing May Vary



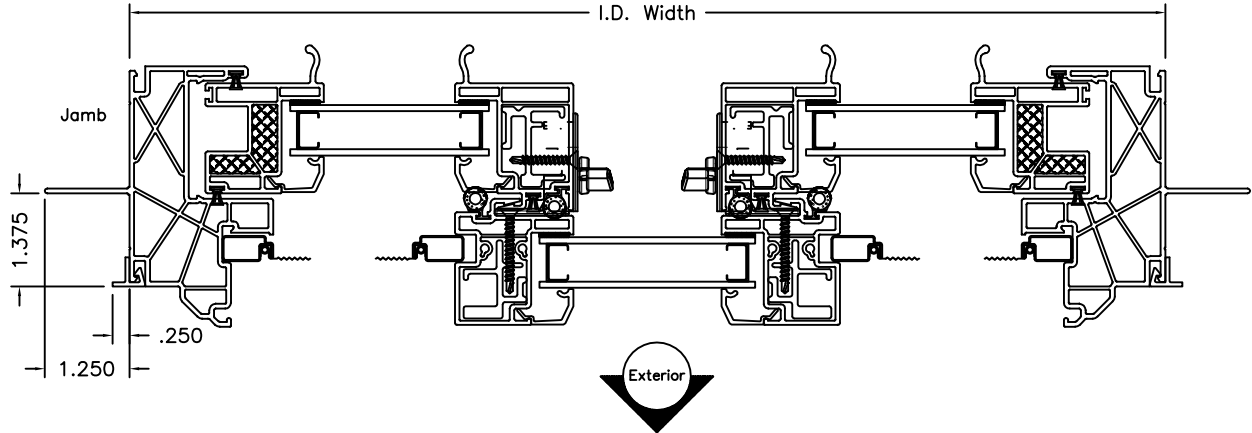
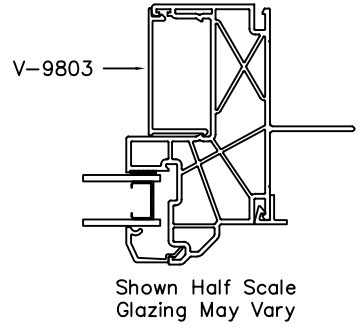
						MATERIAL:	 <b>MILGARD WINDOWS &amp; DOORS</b> 1010 54th Ave E, Fife, WA 98424	DESCRIPTION: Horizontal Slider, Finless, POX Cross Sectional Drawing			
					FINISH:	UNSPECIFIED WALL:					
					AREA:	BREAK ALL CORNERS R.015, UNLESS OTHERWISE SPECIFIED				PRODUCT: V450	
					WEIGHT:					SCALE: Half	
					PERIMETER:					PART NUMBER:	
LTR	ECN #	REVISIONS	DATE	BY		The information, design or data shown on this document or electronic media is the exclusive property of MI Windows and Doors, LLC. It is considered confidential and proprietary and is made available for limited use only. Its use or reproduction without the expressed written consent of MI Windows and Doors, LLC., is prohibited.		DATE: 09/10/12			
						DFTM: T.C.		DRAWING NUMBER: CS-000236			




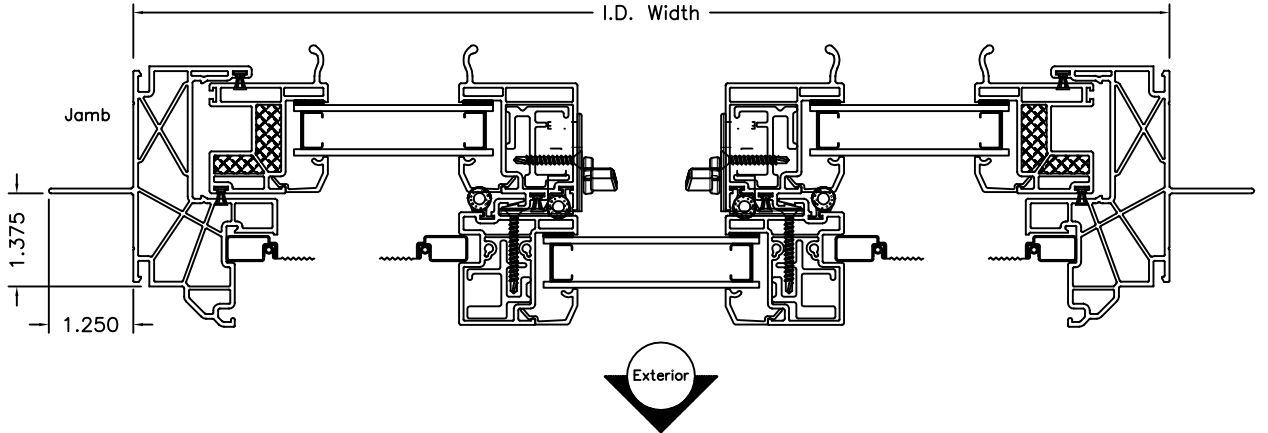
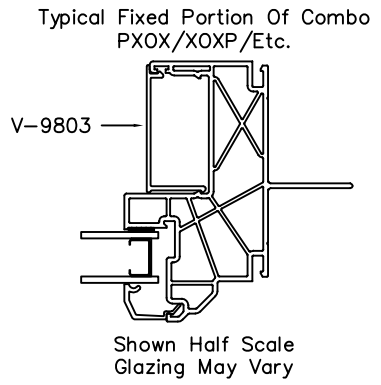
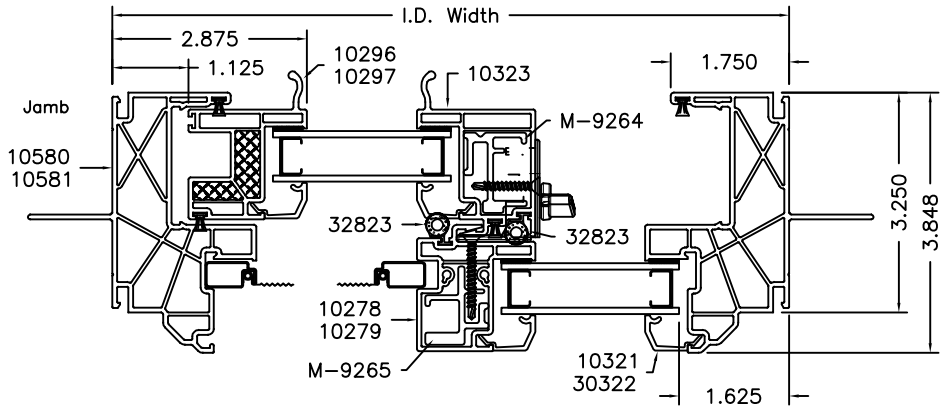
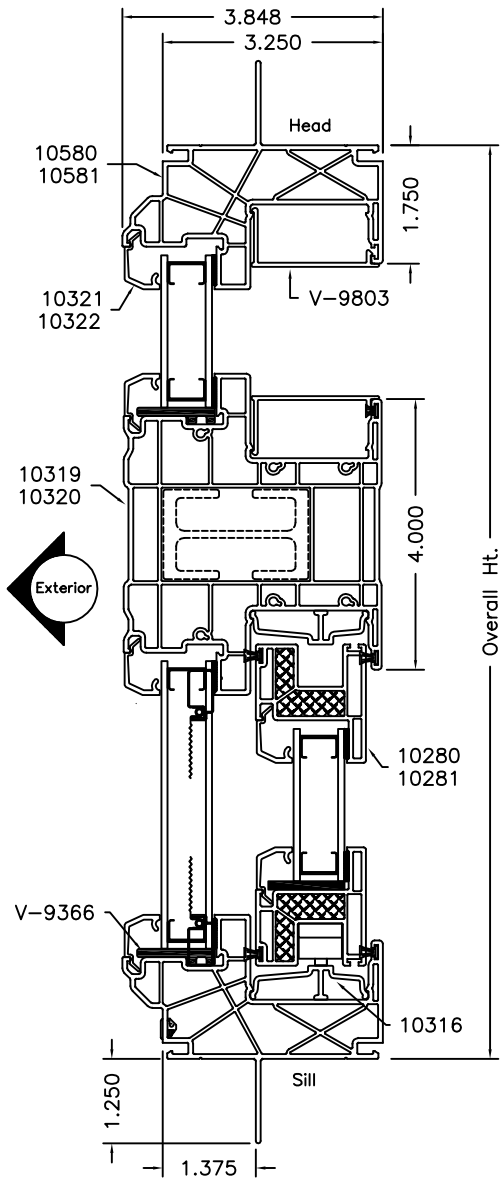
			MATERIAL:		<b>MILGARD WINDOWS &amp; DOORS</b> 1010 54th Ave E, Fife, WA 98424	DESCRIPTION: Horizontal Slider, Flange, POX Cross Sectional Drawing		
			FINISH:	UNSPECIFIED WALL:		PRODUCT: V450	DATE: 09/10/12	
			AREA:	BREAK ALL CORNERS R.015, UNLESS OTHERWISE SPECIFIED		SCALE: Half	PART NUMBER:	
			WEIGHT:			DFTM: T.C.	DRAWING NUMBER: CS-000248	
			PERIMETER:					
LTR	ECN #	REVISIONS	DATE	BY	<small>The information, design or data shown on this document or electronic media is the exclusive property of MI Windows and Doors, LLC. It is considered confidential and proprietary and is made available for limited use only. Its use or reproduction without the expressed written consent of MI Windows and Doors, LLC., is prohibited.</small>			



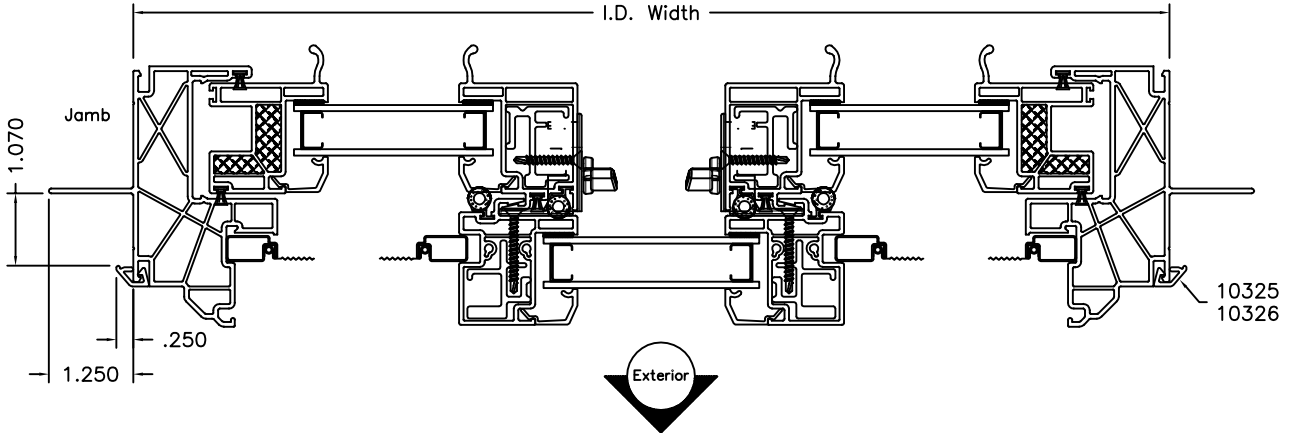
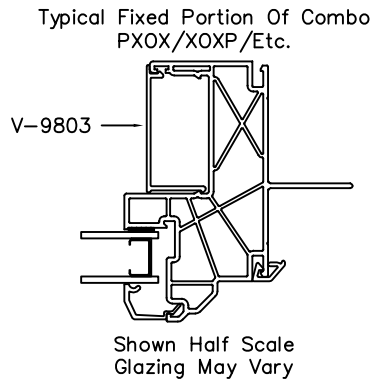
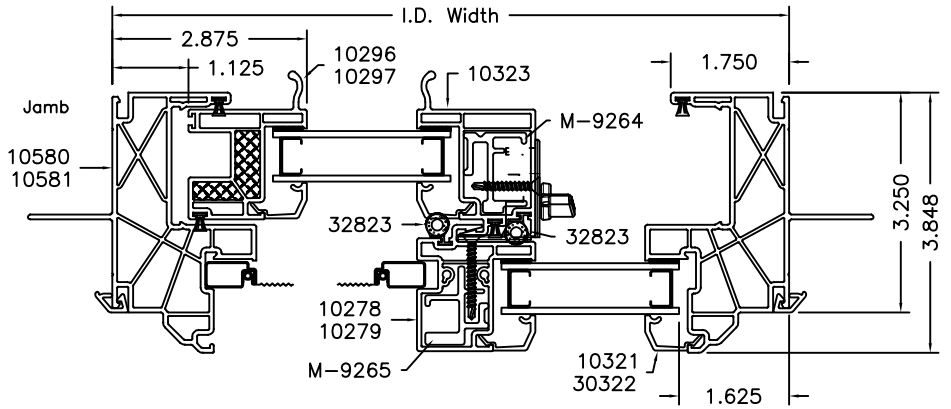
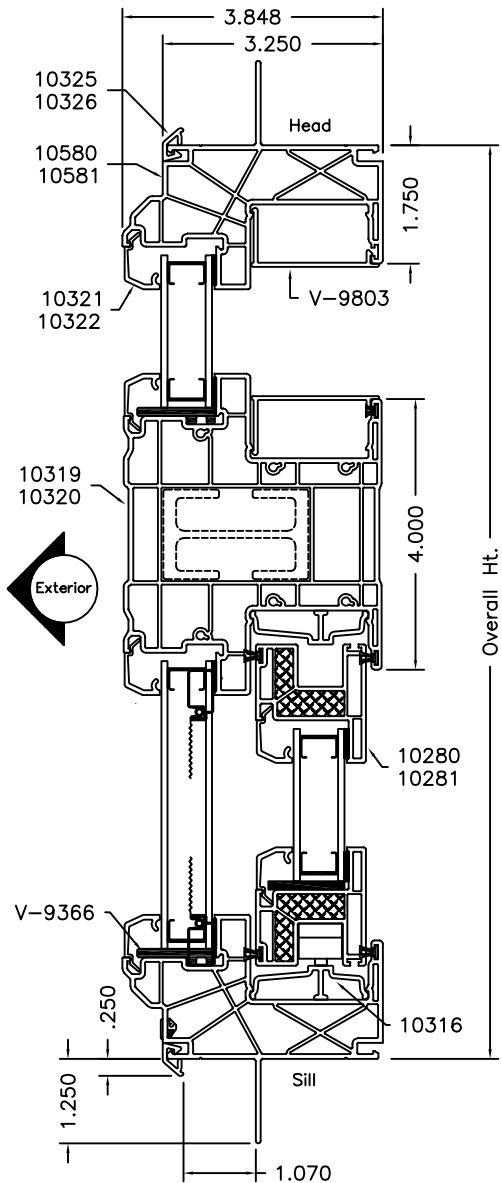
Typical Fixed Portion Of Combo PXOX/XOXP/Etc.



				<b>MATERIAL:</b> UNSPECIFIED WALL:		 <b>MILGARD WINDOWS &amp; DOORS</b> 1010 54th Ave E, Fife, WA 98424	<b>DESCRIPTION:</b> Horizontal Slider, 1 3/8" Fin Setback, POX Cross Sectional Drawing, With Stucco Key	
				<b>FINISH:</b> BREAK ALL CORNERS R.015, UNLESS OTHERWISE SPECIFIED			<b>PRODUCT:</b> V450	
				<b>AREA:</b> PERIMETER:			<b>DATE:</b> 09/10/12	
				<b>WEIGHT:</b>			<b>SCALE:</b> Half	
				<b>PERIMETER:</b>			<b>PART NUMBER:</b>	
LTR	ECN #	REVISIONS	DATE	BY	The information, design or data shown on this document or electronic media is the exclusive property of Mil Windows and Doors, LLC. It is considered confidential and proprietary and is made available for limited use only. Its use or reproduction without the expressed written consent of Mil Windows and Doors, LLC., is prohibited.		<b>DFTM:</b> T.C.	
							<b>DRAWING NUMBER:</b> CS-000245	



			MATERIAL:		<b>MILGARD WINDOWS &amp; DOORS</b> 1010 54th Ave E, Fife, WA 98424	DESCRIPTION: Horizontal Slider, 1 3/8" Fin Setback, POX Cross Sectional Drawing		
			FINISH:	UNSPECIFIED WALL:		PRODUCT: V450	DATE: 09/10/12	
			AREA:	BREAK ALL CORNERS R.015, UNLESS OTHERWISE SPECIFIED		SCALE: Half		PART NUMBER:
			WEIGHT:			The information, design or data shown on this document or electronic media is the exclusive property of MI Windows and Doors, LLC. It is considered confidential and proprietary and is made available for limited use only. Its use or reproduction without the expressed written consent of MI Windows and Doors, LLC., is prohibited.		
			PERIMETER:			DFTM: T.C.		DRAWING NUMBER: CS-000242
LTR	ECN #	REVISIONS	DATE	BY				



				MATERIAL:		<b>MILGARD WINDOWS &amp; DOORS</b> 1010 54th Ave E, Fife, WA 98424	DESCRIPTION: Horizontal Slider, 1" Fin Setback, POX Cross Sectional Drawing		
				FINISH:	UNSPECIFIED WALL:		PRODUCT: V450	DATE: 09/10/12	
				AREA:	BREAK ALL CORNERS R.015, UNLESS OTHERWISE SPECIFIED		SCALE: Half		PART NUMBER:
				WEIGHT:			DFTM: T.C.		DRAWING NUMBER: CS-000239
				PERIMETER:			The information, design or data shown on this document or electronic media is the exclusive property of MI Windows and Doors, LLC. It is considered confidential and proprietary and is made available for limited use only. Its use or reproduction without the expressed written consent of MI Windows and Doors, LLC., is prohibited.		
LTR	ECN #	REVISIONS	DATE	BY					