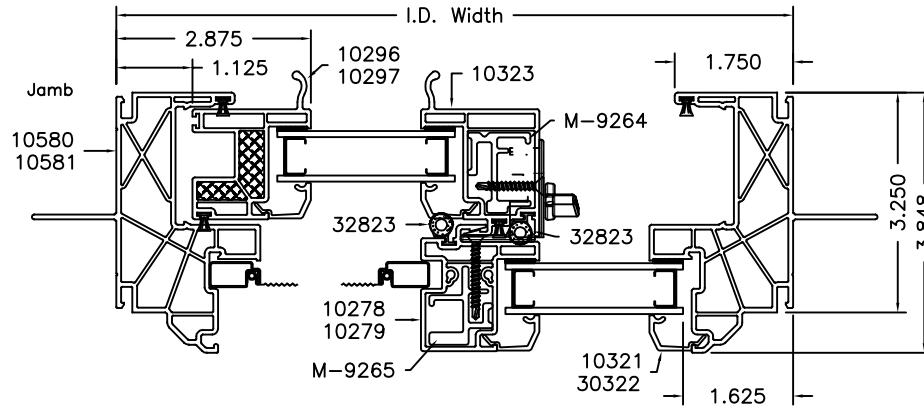
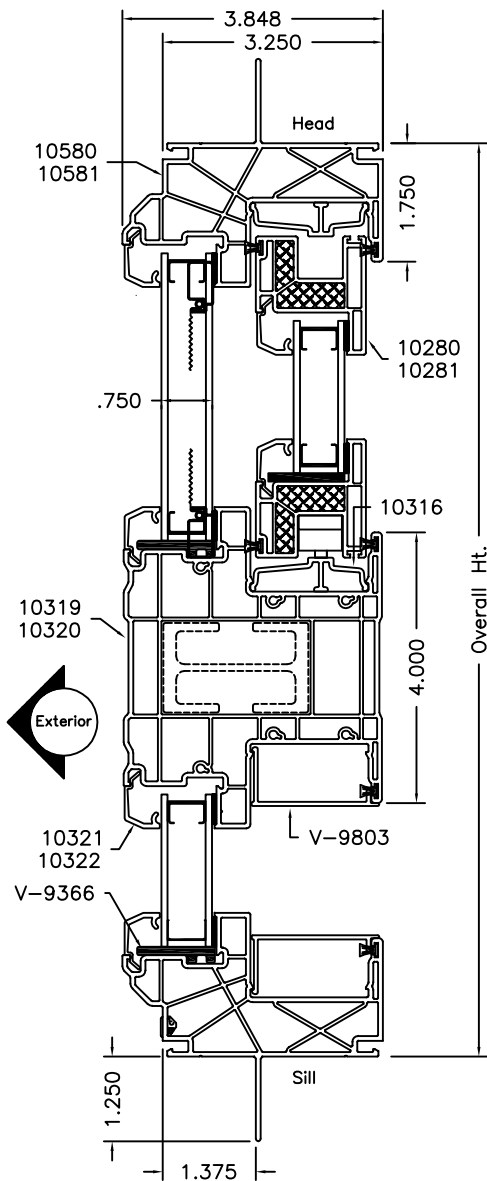


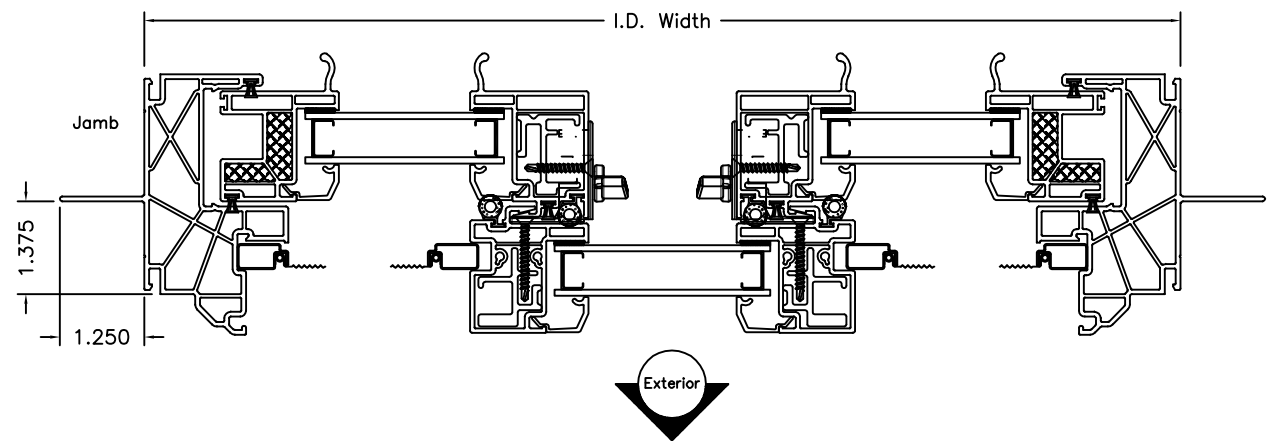
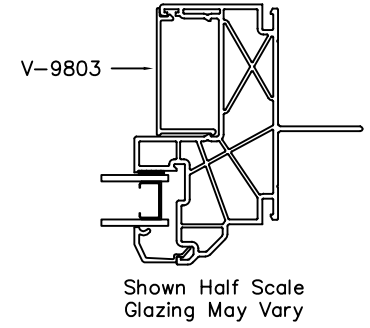
V450


			MATERIAL:		<b>MILGARD WINDOWS &amp; DOORS</b> 1010 54th Ave E, Fife, WA 98424	DESCRIPTION: Horizontal Slider, Flange, XOP Cross Sectional Drawing		
			FINISH:	UNSPECIFIED WALL:		PRODUCT: V450	DATE: 09/10/12	
			AREA:	BREAK ALL CORNERS R.015, UNLESS OTHERWISE SPECIFIED		SCALE: Half	PART NUMBER:	
			WEIGHT:			DFTM: T.C.	DRAWING NUMBER: CS-000249	
			PERIMETER:					
LTR	ECN #	REVISIONS	DATE	BY				

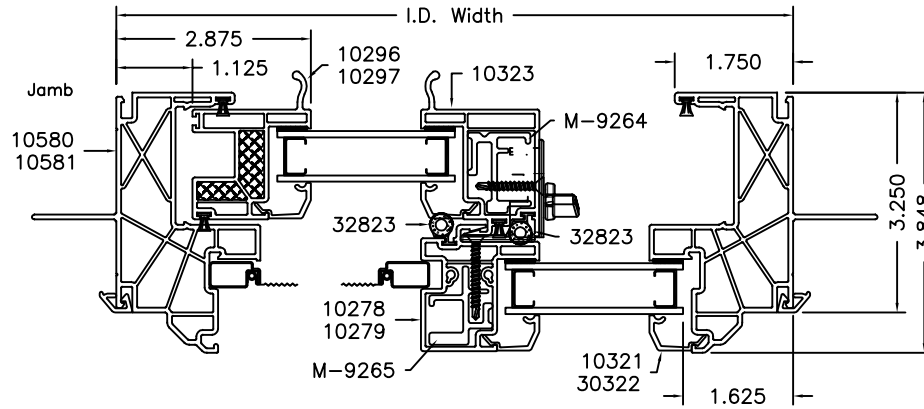
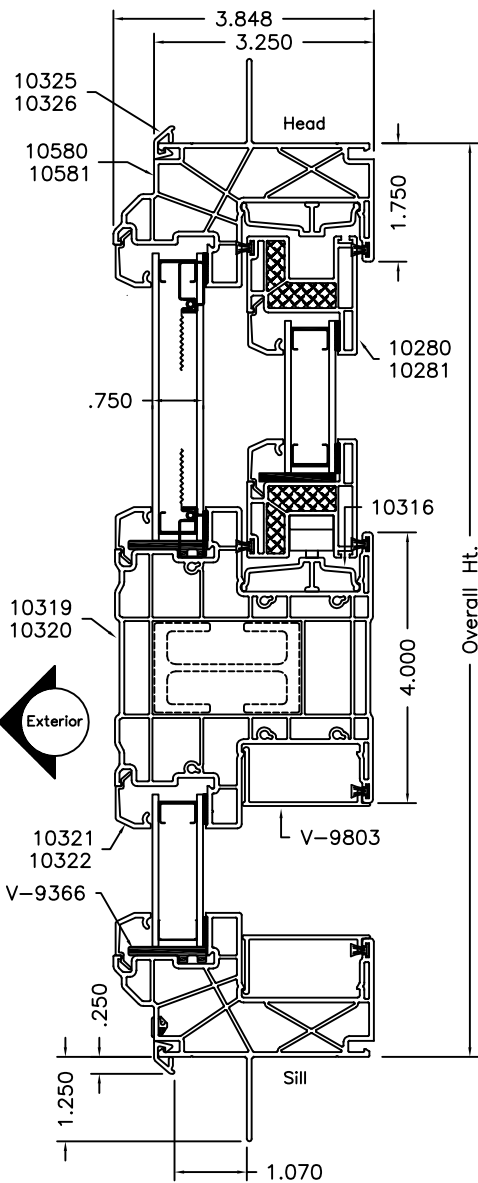




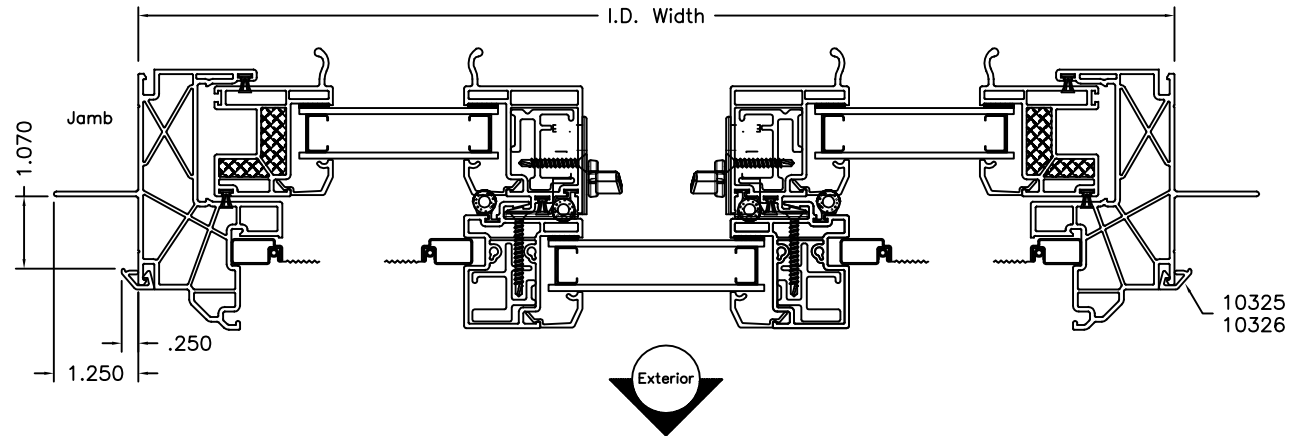
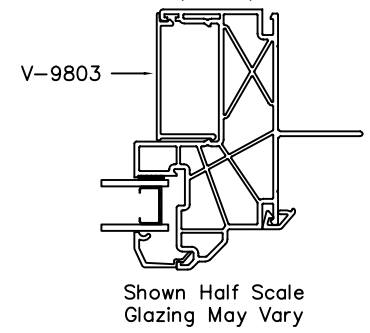
Typical Fixed Portion Of Combo PXOX/XOXP/Etc.




				MATERIAL:		 <b>MILGARD WINDOWS &amp; DOORS</b> 1010 54th Ave E, Fife, WA 98424	DESCRIPTION: Horizontal Slider, 1 3/8" Fin Setback, XOP Cross Sectional Drawing		
				FINISH:	UNSPECIFIED WALL:		PRODUCT: V450	DATE: 09/10/12	
				AREA:	BREAK ALL CORNERS R.015, UNLESS OTHERWISE SPECIFIED		SCALE: Half	PART NUMBER:	
				WEIGHT:			PERIMETER:	DFTM: T.C.	DRAWING NUMBER: CS-000243
LTR	ECN #	REVISIONS	DATE	BY	<small>The information, design or data shown on this document or electronic media is the exclusive property of MI Windows and Doors, LLC. It is considered confidential and proprietary and is made available for limited use only. Its use or reproduction without the expressed written consent of MI Windows and Doors, LLC., is prohibited.</small>				



Typical Fixed Portion Of Combo PXOX/XOXP/Etc.



				MATERIAL:		 <b>MILGARD WINDOWS &amp; DOORS</b> 1010 54th Ave E, Fife, WA 98424	DESCRIPTION: Horizontal Slider, 1" Fin Setback, XOP Cross Sectional Drawing		
				FINISH:	UNSPECIFIED WALL:		PRODUCT: V450	DATE: 09/10/12	
				AREA:	BREAK ALL CORNERS R.015, UNLESS OTHERWISE SPECIFIED		SCALE: Half		PART NUMBER:
				WEIGHT:			DFTM: T.C.		DRAWING NUMBER: CS-000240
				PERIMETER:			The information, design or data shown on this document or electronic media is the exclusive property of MI Windows and Doors, LLC. It is considered confidential and proprietary and is made available for limited use only. Its use or reproduction without the expressed written consent of MI Windows and Doors, LLC., is prohibited.		
LTR	ECN #	REVISIONS	DATE	BY					