

Cross Section Drawing

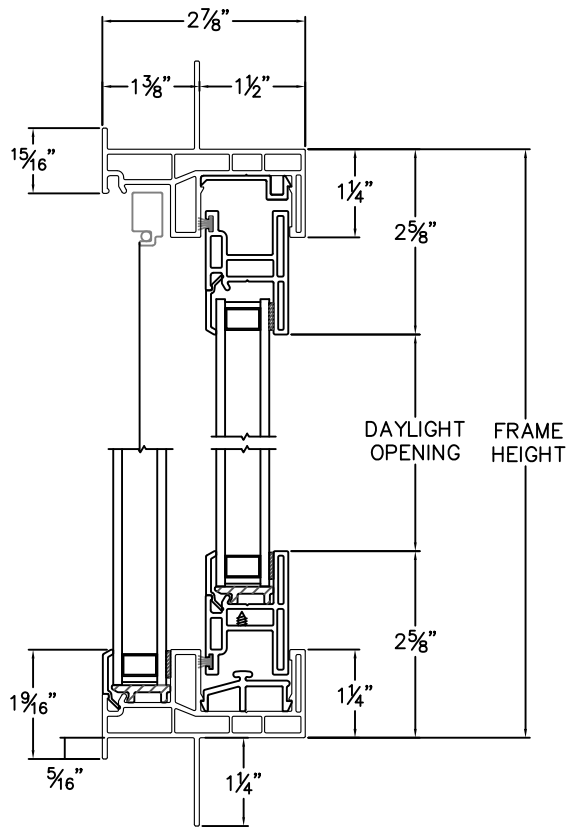
StyleLine Horizontal Slider Window Stucco Key Frame, 1.375 " Nailfin Set Back



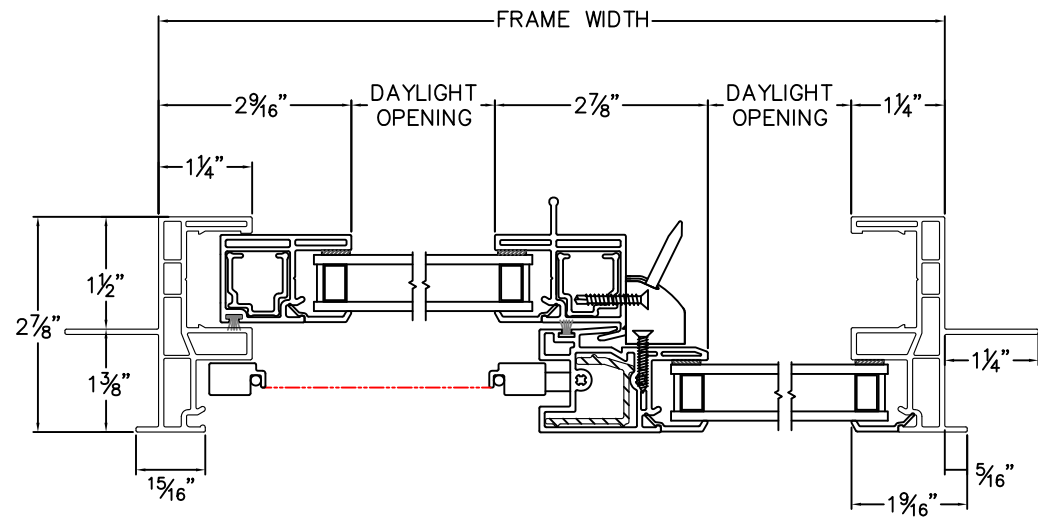
CAD File Scale	View	File Name	Units	Revision
NTS	Horizontal & Vertical	StyleLine_6111_HS_1.375in_stucco	Inch	6/2015

More Technical Documents can be found at milgard.com/professionals
Due to continual research and development, details may be changed at any time. ©2013 Milgard Mfg.

HORIZONTAL SLIDER SERIES 6111



HEAD & SILL



JAMBS