

Cross Section Drawing
AX550 Stacking Door O1X Low Sill
Block Frame



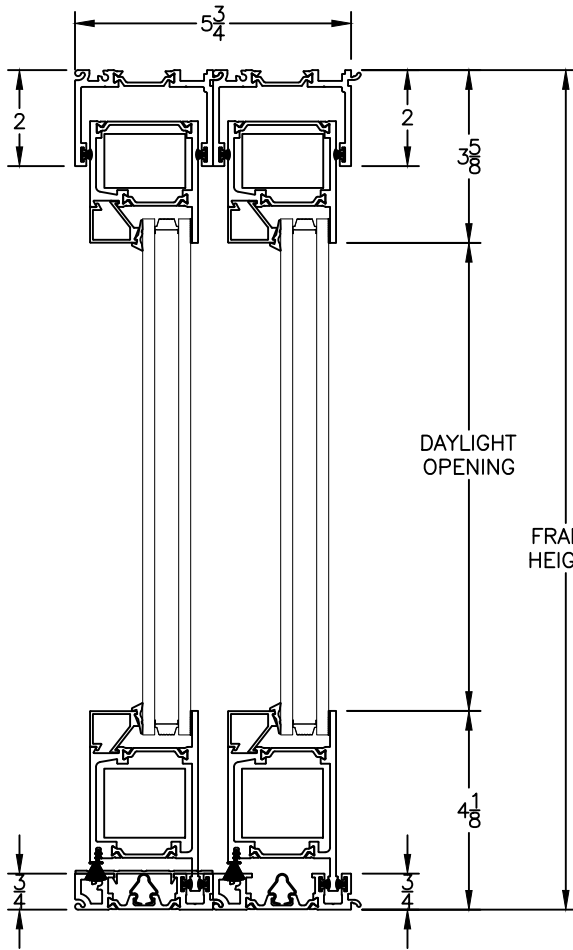
Clearly the best.™

CAD File Scale	View	File Name	Units	Revision
NTS	Horizontal & Vertical	AX550_11600_Stack_O1X_LOW_Sill_Block	Inch	02/2021

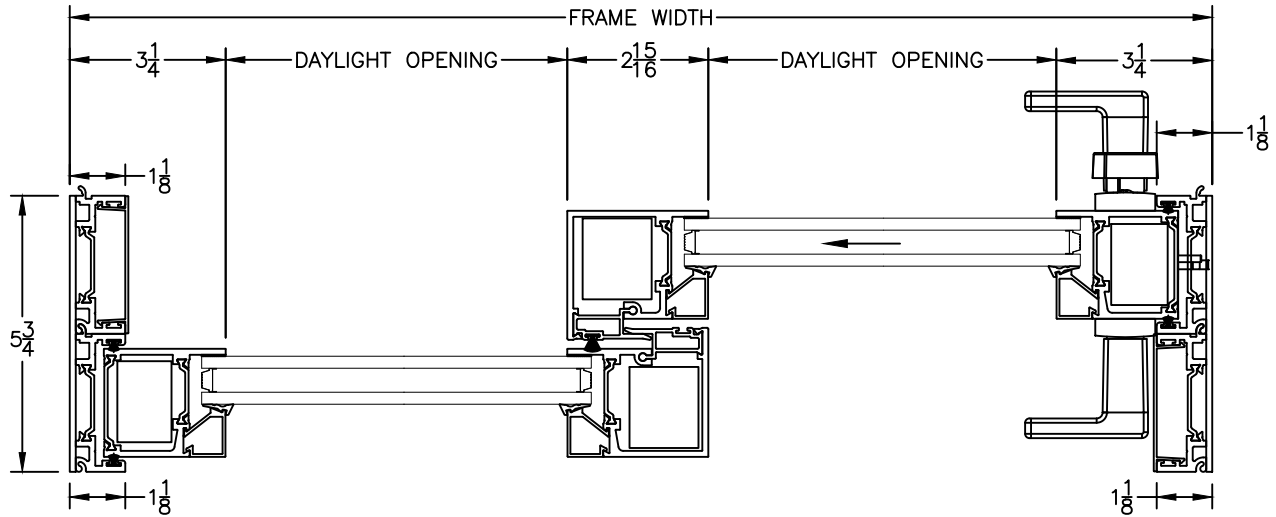
More Technical Documents can be found at milgard.com/professionals
 Due to continual research and development, details may be changed at any time. ©2021 Milgard Mfg.

STACKING
SERIES 11600

Configuration 01X shown
 Configuration 1X0 also available



HEAD & SILL



JAMBS