

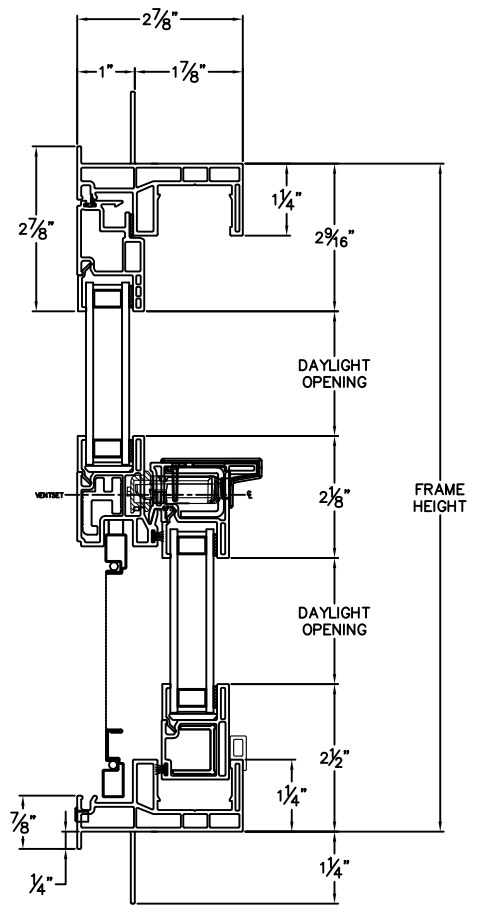
**Cross Section Drawing**  
**Trinsic Single Hung Window**  
**1" Nailfin Setback Frame with Stucco Key**



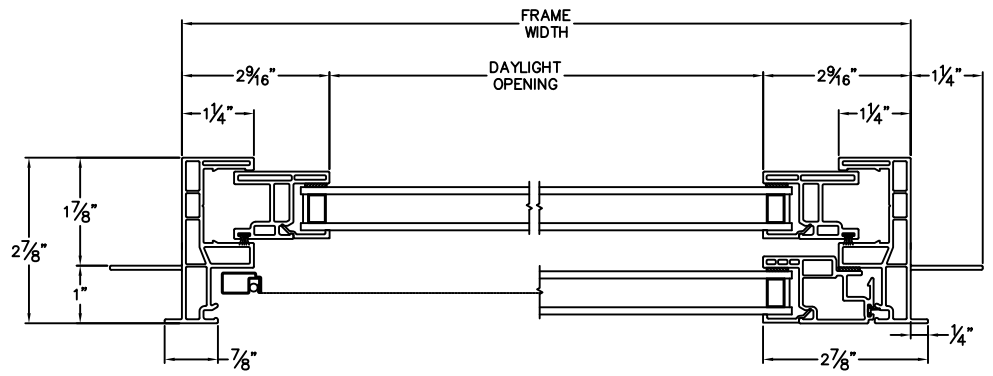
CAD File Scale	View	File Name	Units	Revision
NTS	Horizontal & Vertical	Trinsic_2230_SH_1in_Stucco	Inch	08/2018

More Technical Documents can be found at [milgard.com/professionals](http://milgard.com/professionals)  
 Due to continual research and development, details may be changed at any time. ©2018 Milgard Mfg.

**SINGLE HUNG**  
**SERIES 2230**



**HEAD & SILL**



**JAMBS**