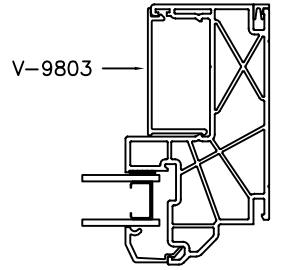
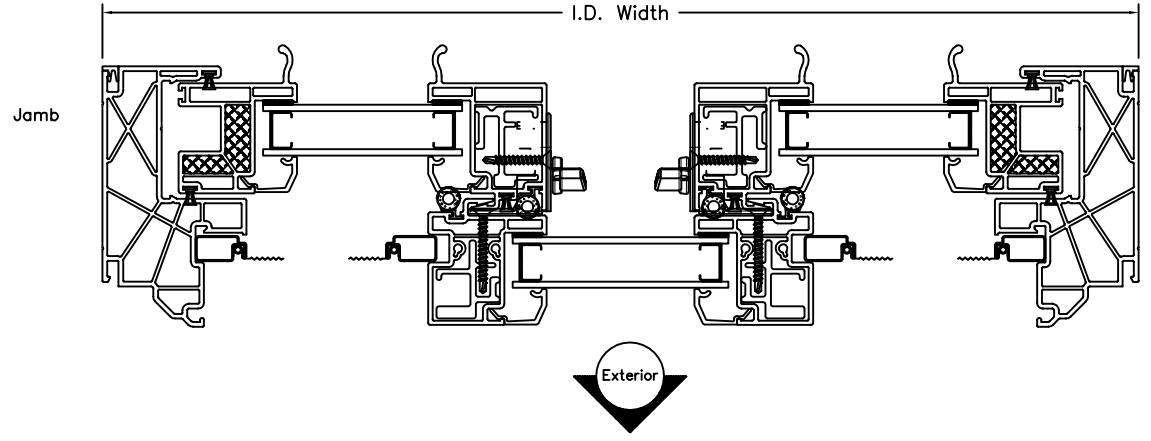
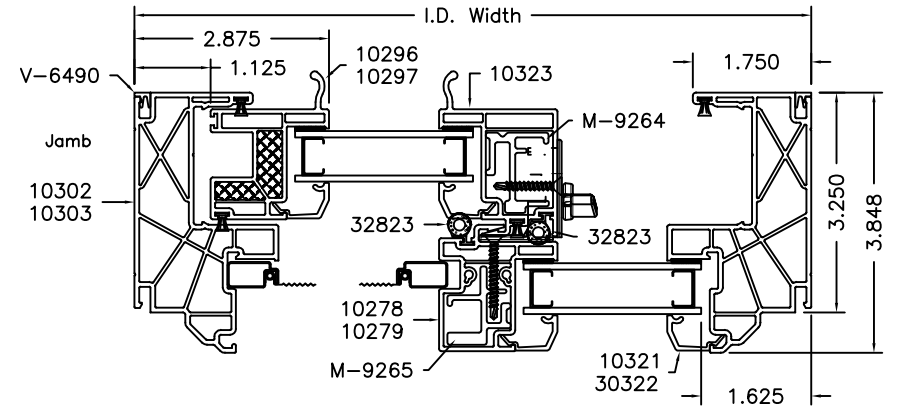
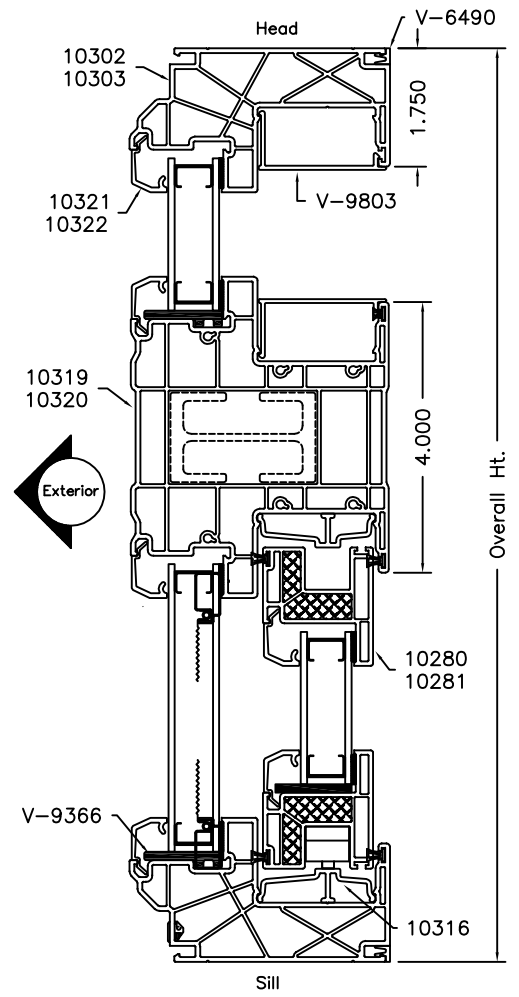


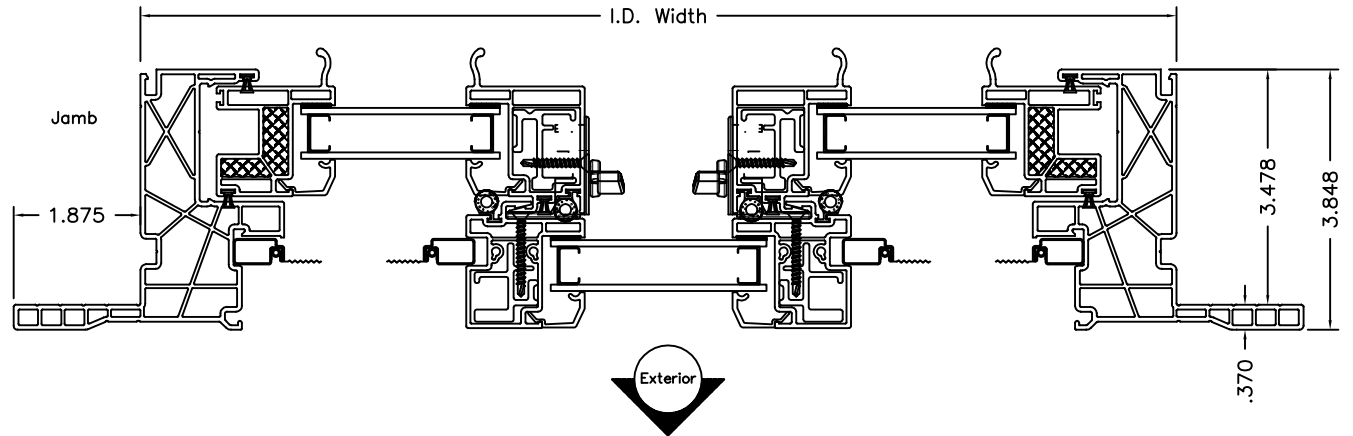
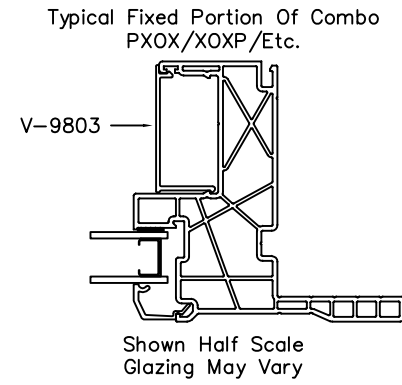
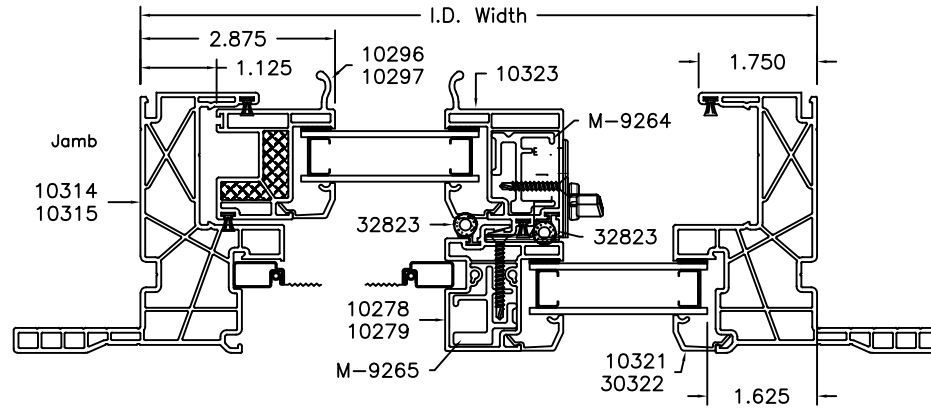
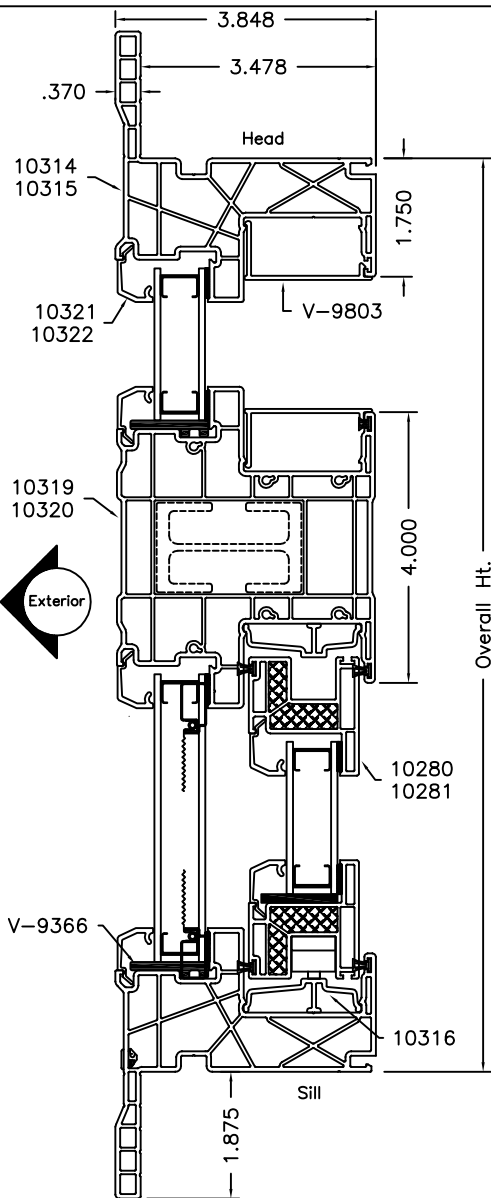
Typical Fixed Portion Of Combo PXOX/XOXP/Etc.




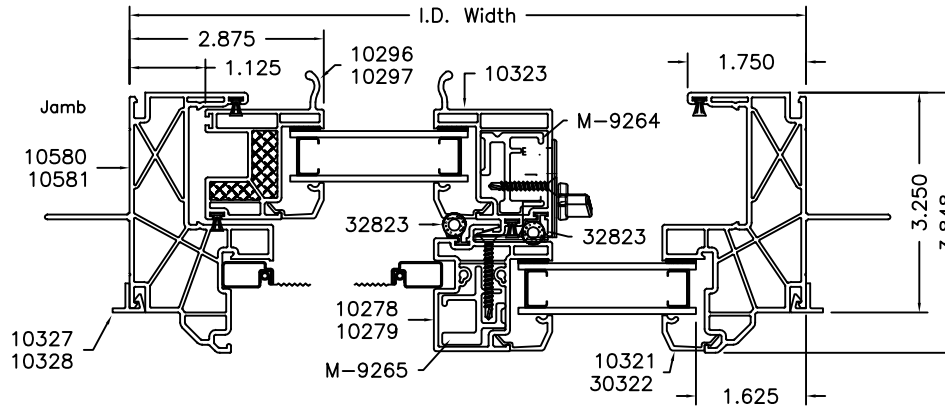
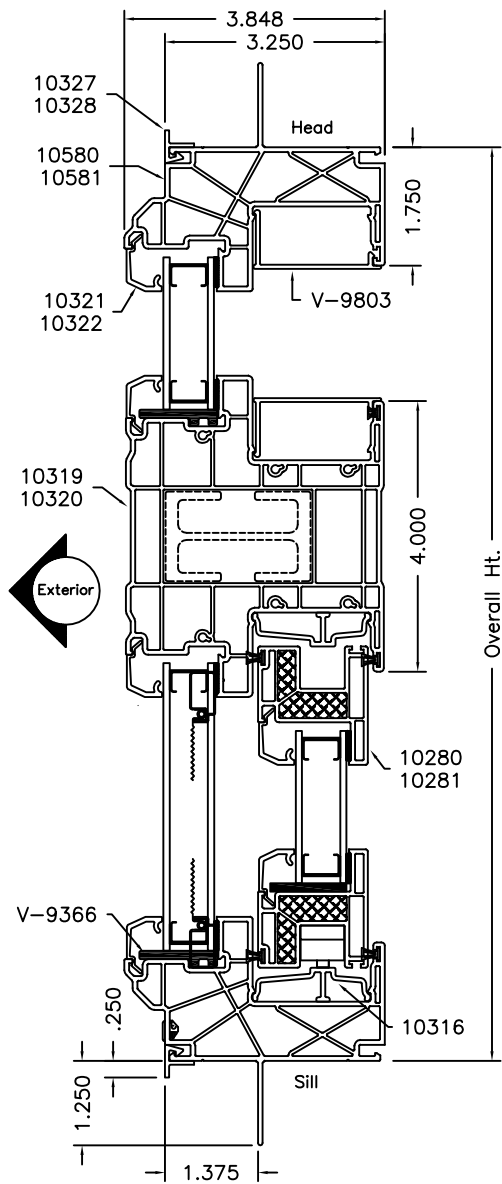
Shown Half Scale
Glazing May Vary



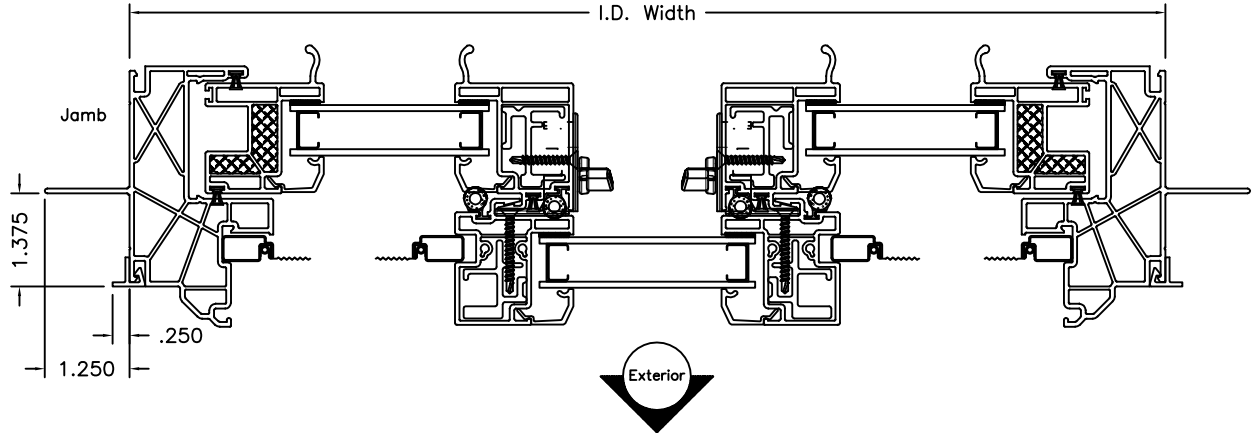
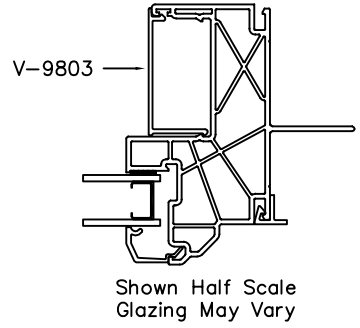
			MATERIAL:			MILGARD WINDOWS & DOORS		DESCRIPTION: Horizontal Slider, Finless, POX					
			FINISH:			1010 54th Ave E, Fife, WA 98424		Cross Sectional Drawing					
			AREA:		The information, design or data shown on this document or electronic media is the exclusive property of MI Windows and Doors, LLC. It is considered confidential and proprietary and is made available for limited use only. Its use or reproduction without the expressed written consent of MI Windows and Doors, LLC., is prohibited.								
			WEIGHT:							PRODUCT: V450		DATE: 09/10/12	
			PERIMETER:							SCALE: Half		PART NUMBER:	
LTR	ECN #	REVISIONS	DATE	BY	UNSPECIFIED WALL: BREAK ALL CORNERS R.015, UNLESS OTHERWISE SPECIFIED		DFTM: T.C.		DRAWING NUMBER: CS-000236				




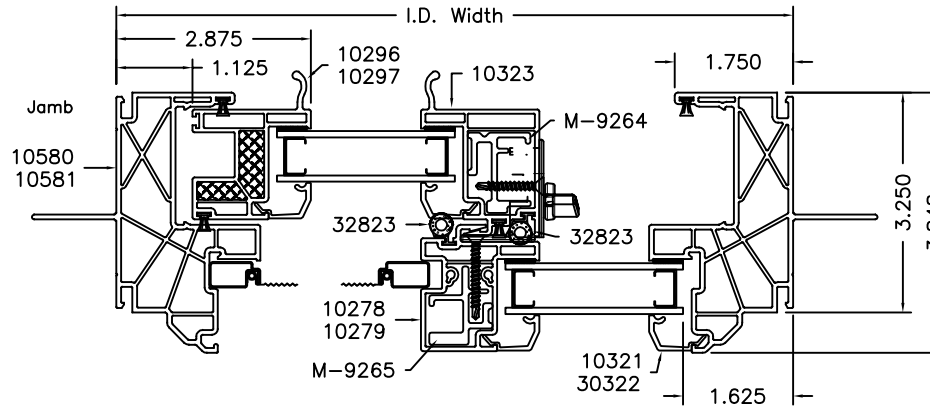
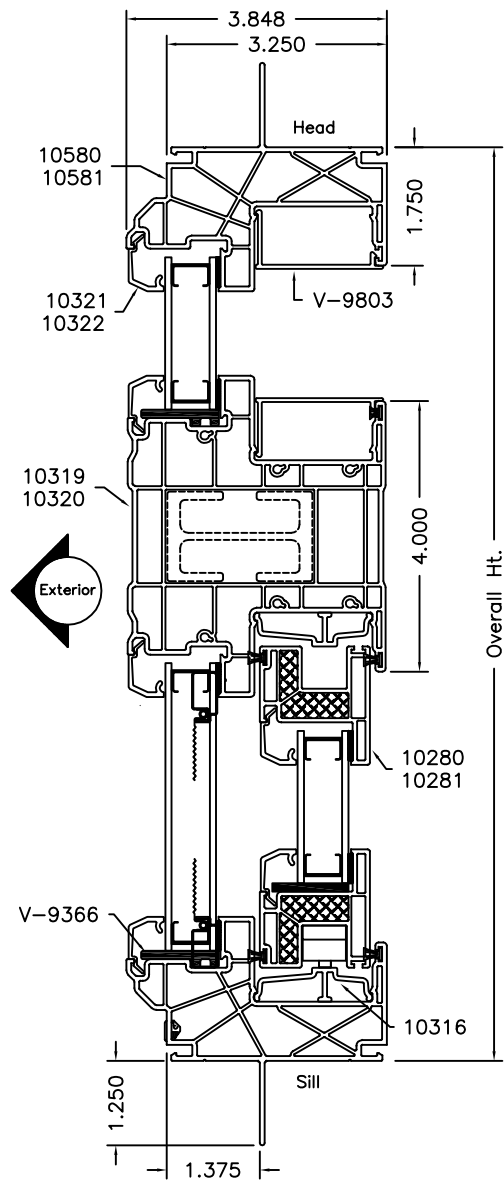
				MATERIAL: FINISH: UNSPECIFIED WALL: AREA: WEIGHT: BREAK ALL CORNERS R.015, UNLESS OTHERWISE SPECIFIED PERIMETER:		 MILGARD WINDOWS & DOORS 1010 54th Ave E, Fife, WA 98424		DESCRIPTION: Horizontal Slider, Flange, POX Cross Sectional Drawing	
				The information, design or data shown on this document or electronic media is the exclusive property of Mil Windows and Doors, LLC. It is considered confidential and proprietary and is made available for limited use only. Its use or reproduction without the expressed written consent of Mil Windows and Doors, LLC., is prohibited.		PRODUCT: V450		DATE: 09/10/12	
						SCALE: Half		PART NUMBER:	
						DFTM: T.C.		DRAWING NUMBER: CS-000248	
LTR	ECN #	REVISIONS	DATE	BY					



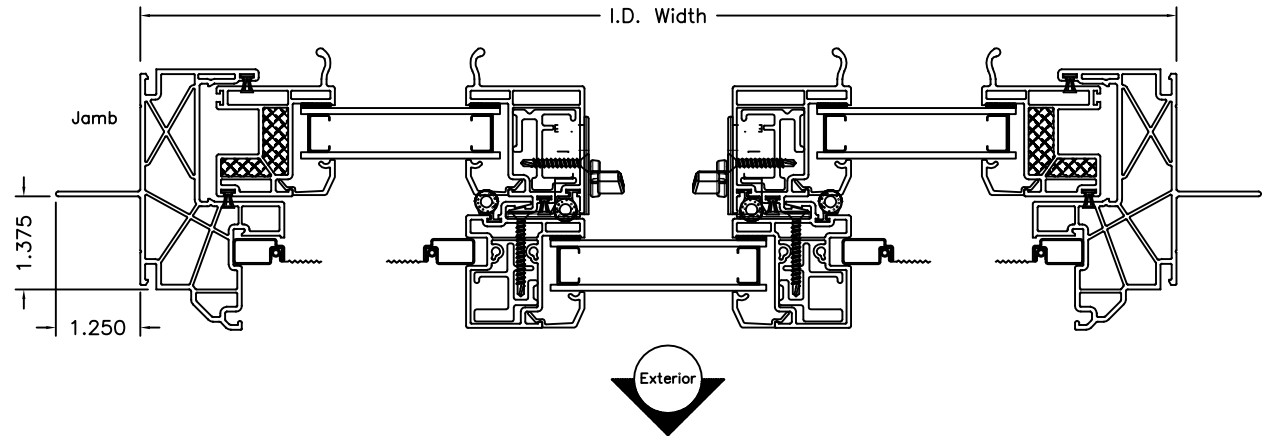
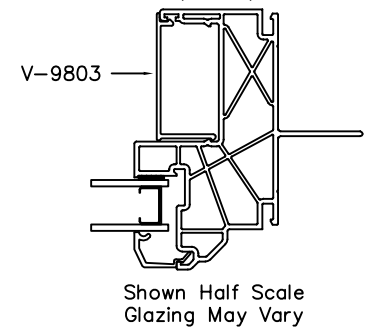
Typical Fixed Portion Of Combo PXOX/XOXP/Etc.



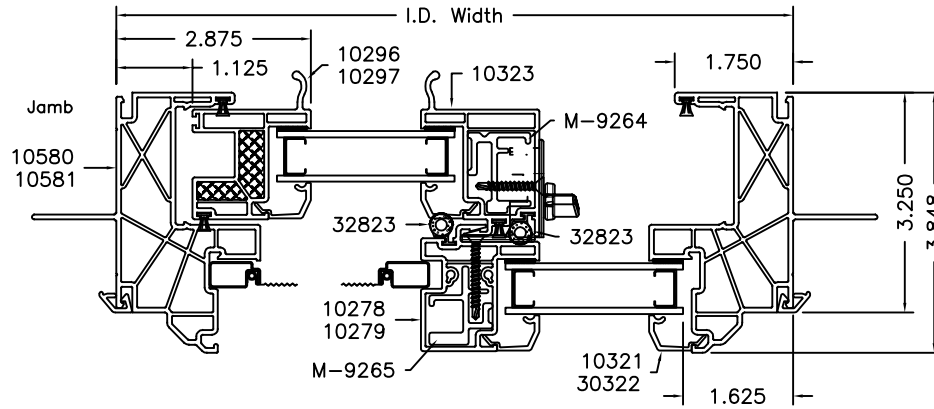
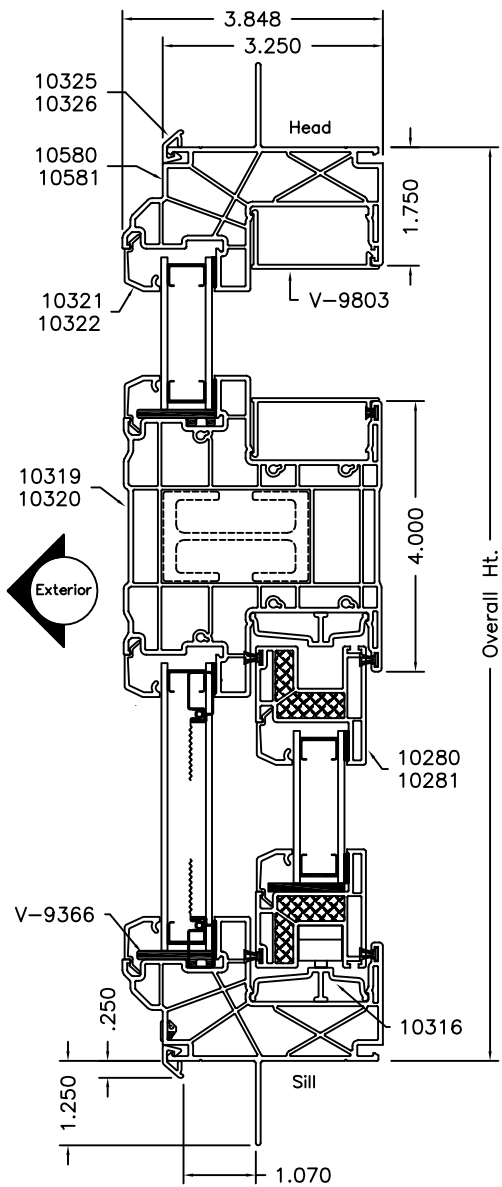
			MATERIAL:		 MILGARD WINDOWS & DOORS 1010 54th Ave E, Fife, WA 98424	DESCRIPTION: Horizontal Slider, 1 3/8" Fin Setback, POX Cross Sectional Drawing, With Stucco Key	
			FINISH: UNSPECIFIED WALL:			PRODUCT: V450	
			AREA:			DATE: 09/10/12	
			WEIGHT: BREAK ALL CORNERS R.015, UNLESS OTHERWISE SPECIFIED			SCALE: Half	
			PERIMETER:			PART NUMBER:	
LTR	ECN #	REVISIONS	DATE	BY	DFTM: T.C.		DRAWING NUMBER: CS-000245



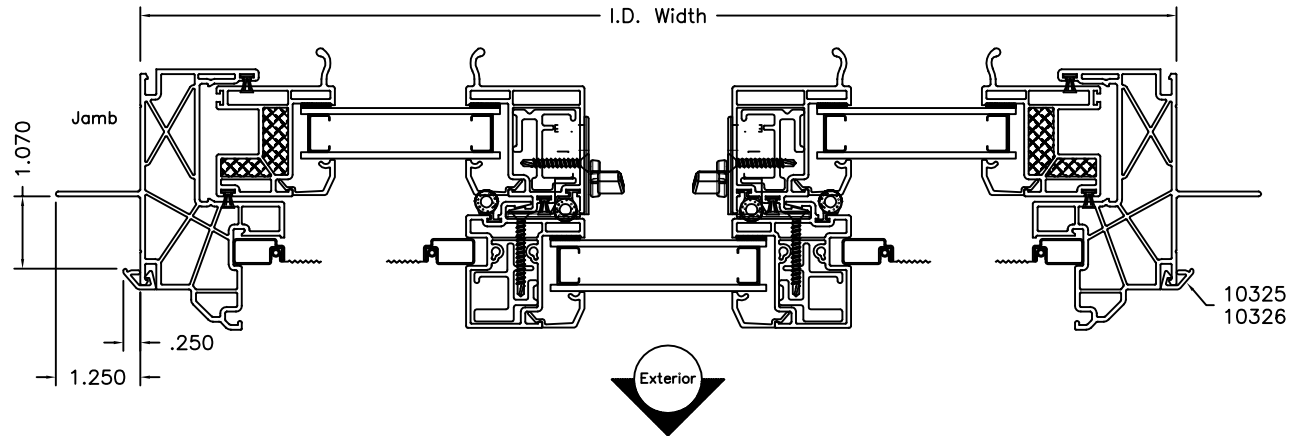
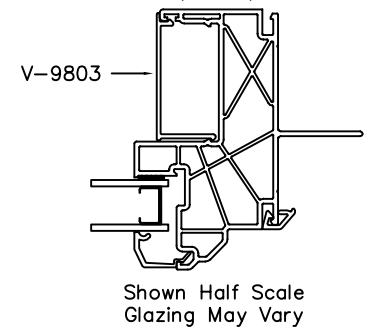
Typical Fixed Portion Of Combo
PXOX/XOXP/Etc.




			MATERIAL:		MILGARD WINDOWS & DOORS 1010 54th Ave E, Fife, WA 98424	DESCRIPTION: Horizontal Slider, 1 3/8" Fin Setback, POX Cross Sectional Drawing	
			FINISH:	UNSPECIFIED WALL:		PRODUCT: V450	DATE: 09/10/12
			AREA:	BREAK ALL CORNERS R.015, UNLESS OTHERWISE SPECIFIED		SCALE: Half	PART NUMBER:
			WEIGHT:			DFTM: T.C.	DRAWING NUMBER: CS-000242
			PERIMETER:			The information, design or data shown on this document or electronic media is the exclusive property of MI Windows and Doors, LLC. It is considered confidential and proprietary and is made available for limited use only. Its use or reproduction without the expressed written consent of MI Windows and Doors, LLC., is prohibited.	
LTR	ECN #	REVISIONS	DATE	BY			



Typical Fixed Portion Of Combo
PXOX/XOXP/Etc.



				MATERIAL: FINISH: UNSPECIFIED WALL: AREA: WEIGHT: PERIMETER:		 MILGARD WINDOWS & DOORS 1010 54th Ave E, Fife, WA 98424		DESCRIPTION: Horizontal Slider, 1" Fin Setback, POX Cross Sectional Drawing	
				BREAK ALL CORNERS R.015, UNLESS OTHERWISE SPECIFIED		The information, design or data shown on this document or electronic media is the exclusive property of MI Windows and Doors, LLC. It is considered confidential and proprietary and is made available for limited use only. Its use or reproduction without the expressed written consent of MI Windows and Doors, LLC., is prohibited.		PRODUCT: V450 DATE: 09/10/12	
						SCALE: Half PART NUMBER:			
						DFTM: T.C. DRAWING NUMBER: CS-000239			
LTR	ECN #	REVISIONS	DATE	BY					