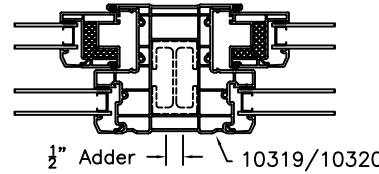
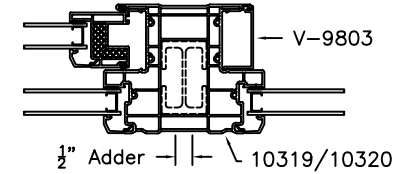



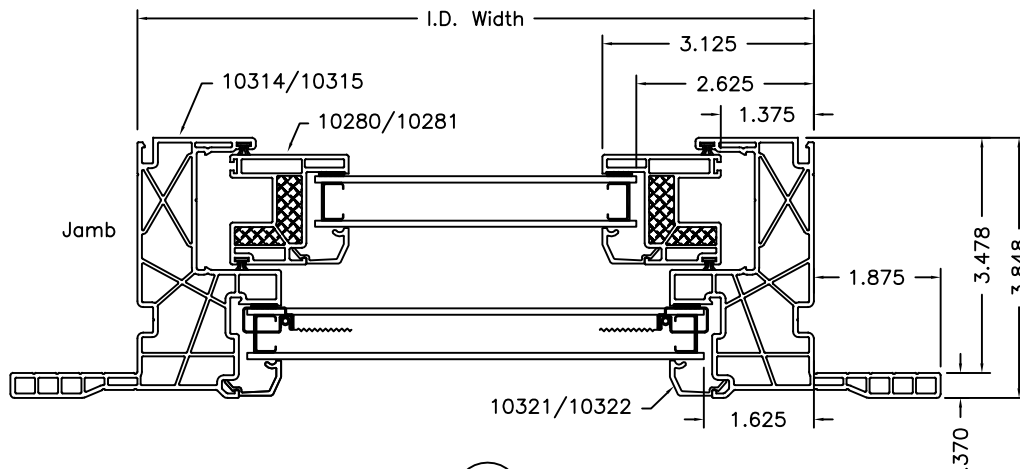
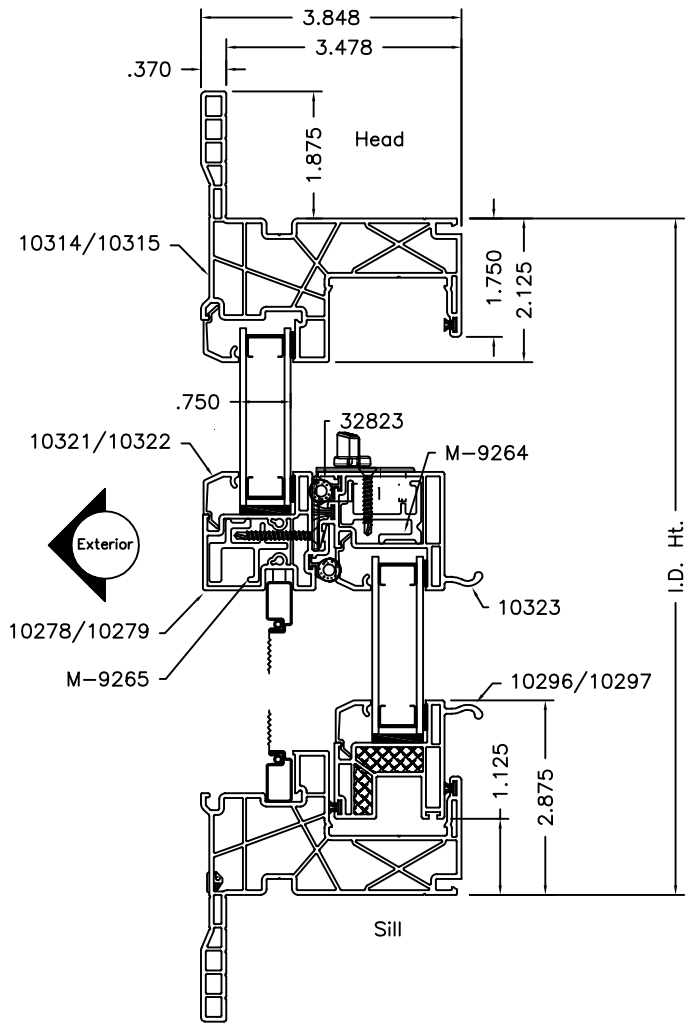
EC150D and EC150T
CHS Intermediate Jamb Detail
SH/SH Shown
Shown 1/4 Scale



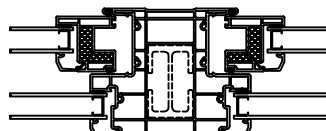
EC150D and EC150T
CHS Intermediate Jamb Detail
SH/PW Shown
Shown 1/4 Scale



				MATERIAL: FINISH: UNSPECIFIED WALL: AREA: WEIGHT: BREAK ALL CORNERS R.015, UNLESS OTHERWISE SPECIFIED PERIMETER:		 MILGARD WINDOWS & DOORS 1010 54th Ave E, Fife, WA 98424		DESCRIPTION: Single Hung, Finless Cross Sectional Drawing	
				The information, design or data shown on this document or electronic media is the exclusive property of MI Windows and Doors, LLC. It is considered confidential and proprietary and is made available for limited use only. Its use or reproduction without the expressed written consent of MI Windows and Doors, LLC., is prohibited.		PRODUCT: V450		DATE: 10/01/12	
						SCALE: Half		PART NUMBER:	
						DFTM: T.C.		DRAWING NUMBER: CS-000215	
LTR	ECN #	REVISIONS	DATE	BY					

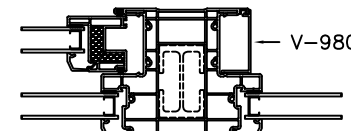


EC150D and EC150T
CHS Intermediate Jamb Detail
SH/SH Shown
Shown 1/4 Scale




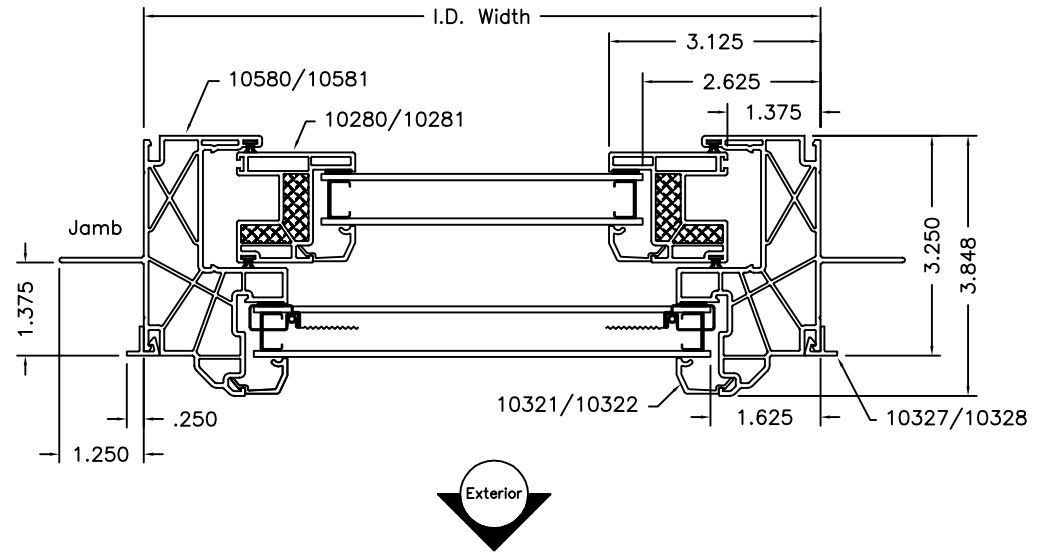
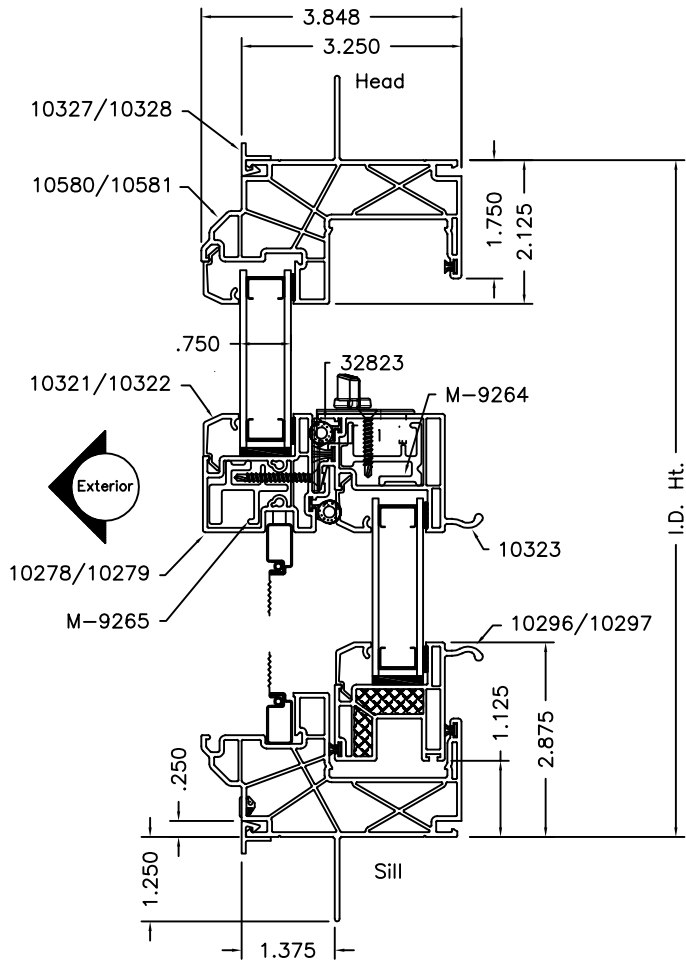
1/2" Adder —|— 10319/10320

EC150D and EC150T
CHS Intermediate Jamb Detail
SH/PW Shown
Shown 1/4 Scale

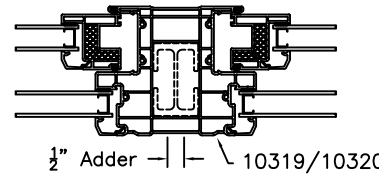


1/2" Adder —|— 10319/10320

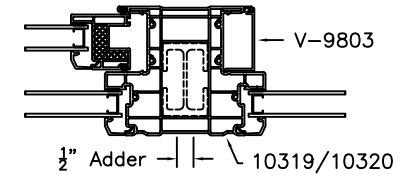
				MATERIAL: FINISH: UNSPECIFIED WALL: AREA: WEIGHT: BREAK ALL CORNERS R.015, UNLESS OTHERWISE SPECIFIED PERIMETER:		 MILGARD WINDOWS & DOORS 1010 54th Ave E, Fife, WA 98424		DESCRIPTION: Single Hung, Flange Cross Sectional Drawing	
				The information, design or data shown on this document or electronic media is the exclusive property of Mil Windows and Doors, LLC. It is considered confidential and proprietary and is made available for limited use only. Its use or reproduction without the expressed written consent of Mil Windows and Doors, LLC., is prohibited.		PRODUCT: V450		DATE: 10/01/12	
						SCALE: Half		PART NUMBER:	
						DFTM: T.C.		DRAWING NUMBER: CS-000219	
LTR	ECN #	REVISIONS	DATE	BY					




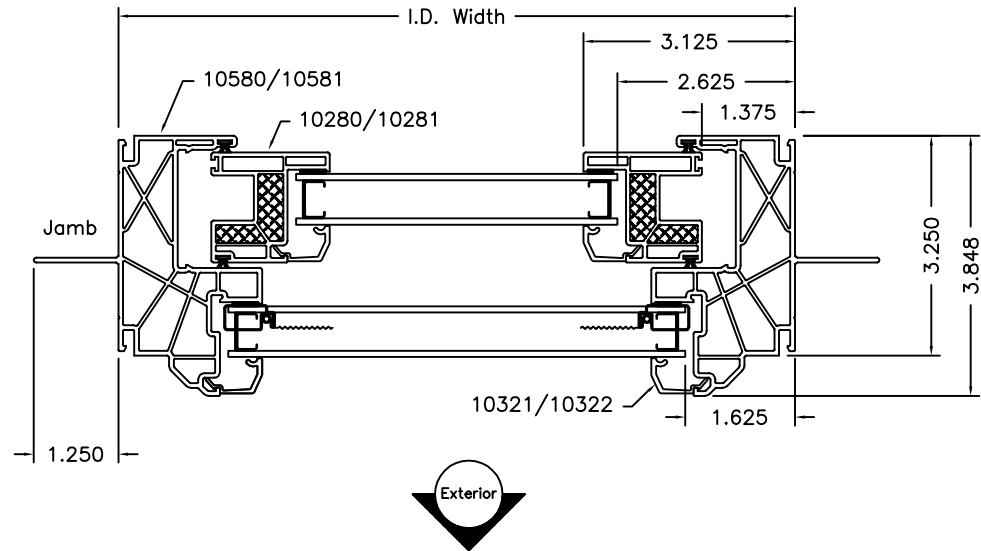
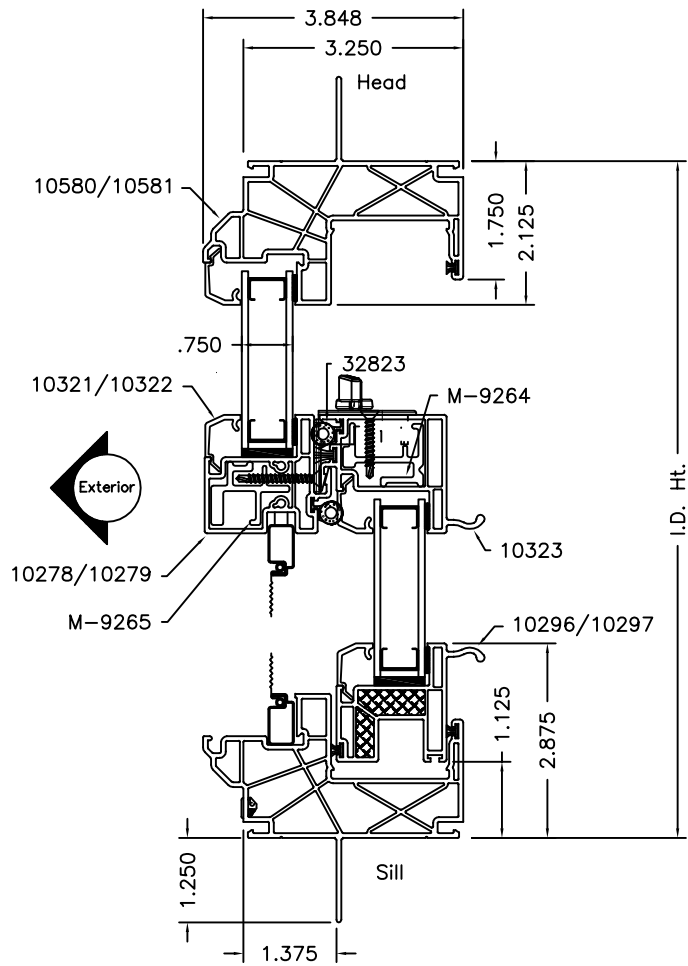
EC150D and EC150T
CHS Intermediate Jamb Detail
SH/SH Shown
Shown 1/4 Scale



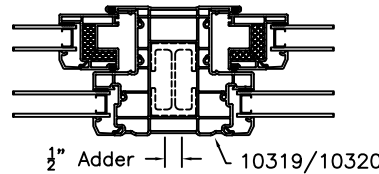
EC150D and EC150T
CHS Intermediate Jamb Detail
SH/PW Shown
Shown 1/4 Scale



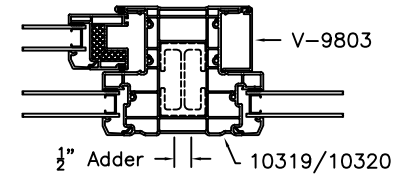
				MATERIAL: FINISH: UNSPECIFIED WALL:		 MILGARD WINDOWS & DOORS 1010 54th Ave E, Fife, WA 98424		DESCRIPTION: Single Hung, 1 3/8" Fin Setback w/Stucco Key Cross Sectional Drawing	
				AREA: WEIGHT: BREAK ALL CORNERS R.015, UNLESS OTHERWISE SPECIFIED		PRODUCT: V450		DATE: 10/01/12	
				PERIMETER:		SCALE: Half		PART NUMBER:	
LTR ECN # REVISIONS DATE BY						DFTM: T.C.		DRAWING NUMBER: CS-000218	




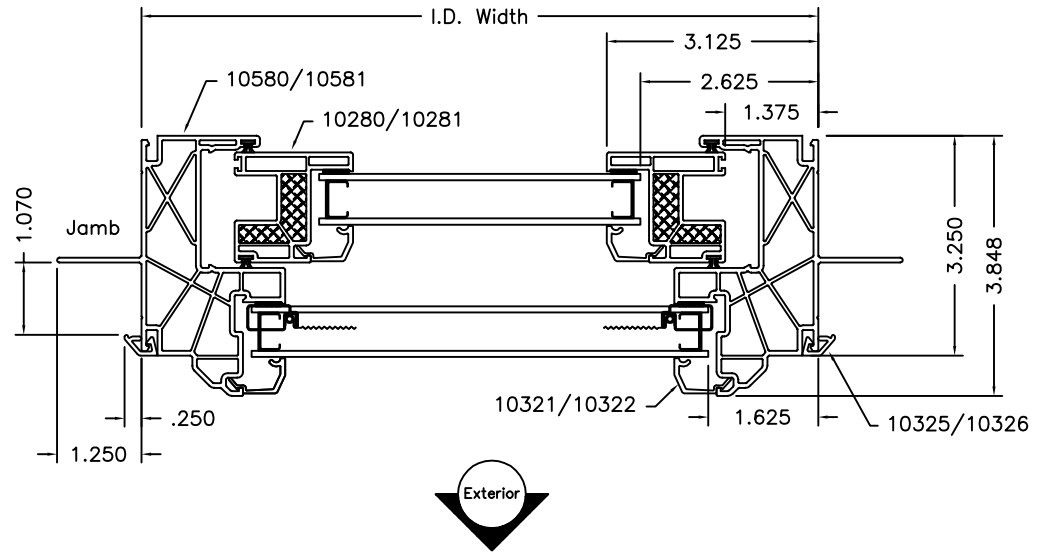
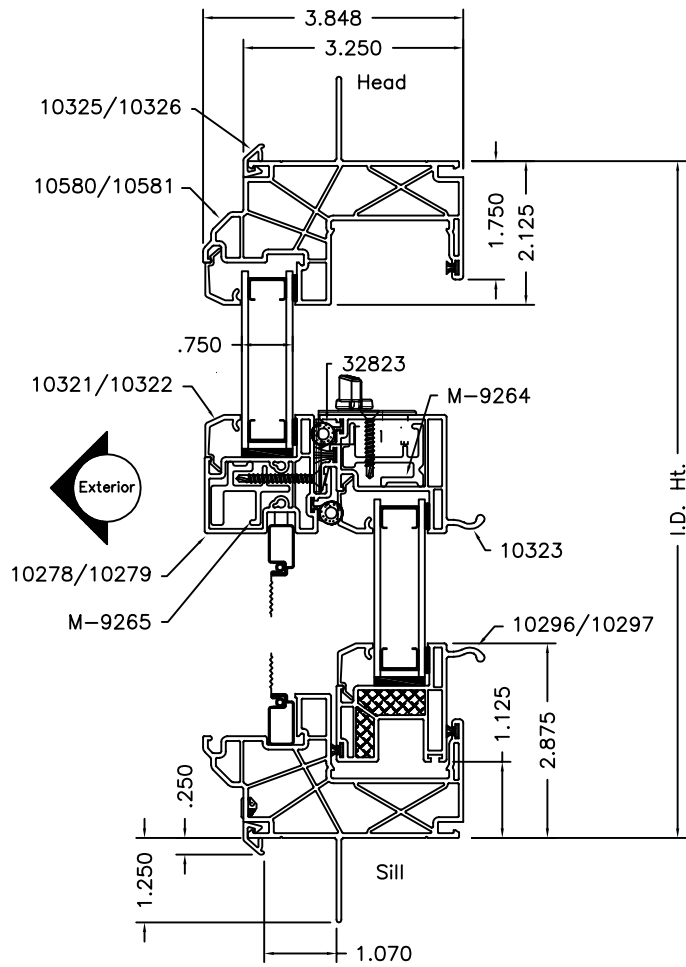
EC150D and EC150T
CHS Intermediate Jamb Detail
SH/SH Shown
Shown 1/4 Scale



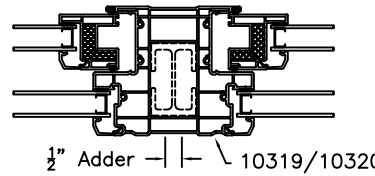
EC150D and EC150T
CHS Intermediate Jamb Detail
SH/PW Shown
Shown 1/4 Scale



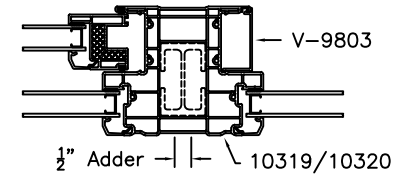
				MATERIAL:		 MILGARD WINDOWS & DOORS 1010 54th Ave E, Fife, WA 98424	DESCRIPTION: Single Hung, 1 3/8" Fin Setback Cross Sectional Drawing		
				FINISH:	UNSPECIFIED WALL:		PRODUCT: V450	DATE: 10/01/12	
				AREA:	BREAK ALL CORNERS R.015, UNLESS OTHERWISE SPECIFIED		The information, design or data shown on this document or electronic media is the exclusive property of Mil Windows and Doors, LLC. It is considered confidential and proprietary and is made available for limited use only. Its use or reproduction without the expressed written consent of Mil Windows and Doors, LLC., is prohibited.		
				WEIGHT:			SCALE: Half	PART NUMBER:	
				PERIMETER:			DFTM: T.C.	DRAWING NUMBER: CS-000217	
LTR	ECN #	REVISIONS	DATE	BY					




EC150D and EC150T
CHS Intermediate Jamb Detail
SH/SH Shown
Shown 1/4 Scale



EC150D and EC150T
CHS Intermediate Jamb Detail
SH/PW Shown
Shown 1/4 Scale



				MATERIAL:		 MILGARD WINDOWS & DOORS 1010 54th Ave E, Fife, WA 98424	DESCRIPTION: Single Hung, 1" Fin Setback Cross Sectional Drawing		
				FINISH:	UNSPECIFIED WALL:		PRODUCT: V450	DATE: 10/01/12	
				AREA:	BREAK ALL CORNERS R.015, UNLESS OTHERWISE SPECIFIED		The information, design or data shown on this document or electronic media is the exclusive property of Mil Windows and Doors, LLC. It is considered confidential and proprietary and is made available for limited use only. Its use or reproduction without the expressed written consent of Mil Windows and Doors, LLC., is prohibited.		
				WEIGHT:			SCALE: Half	PART NUMBER:	
				PERIMETER:			DFTM: T.C.	DRAWING NUMBER: CS-000216	
LTR	ECN #	REVISIONS	DATE	BY					