

Cross Section Drawing

Aluminum Horizontal Slider

Block Frame



Clearly the best.™

CAD File Scale
NTS

View
Horizontal & Vertical

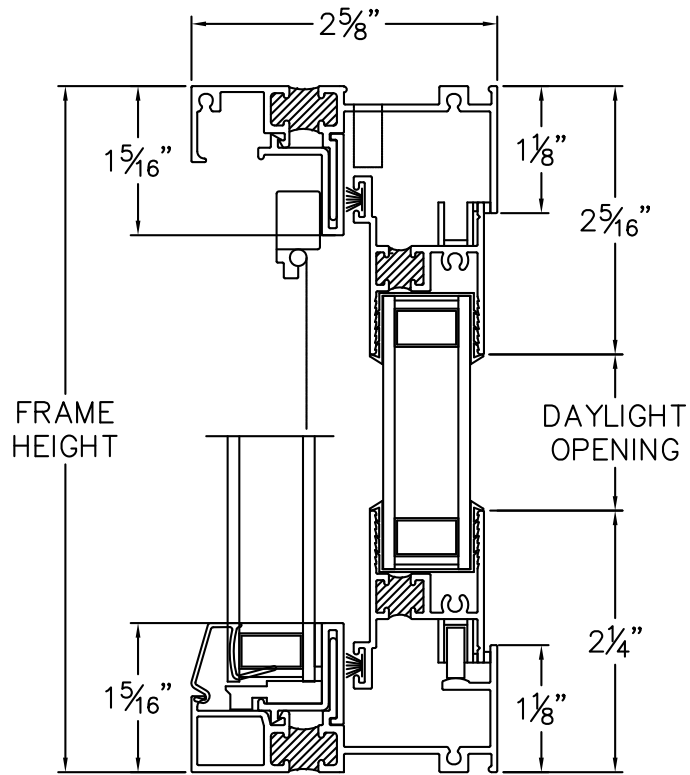
File Name
Aluminum_TIE_1120_HV_Block

Units
Inch

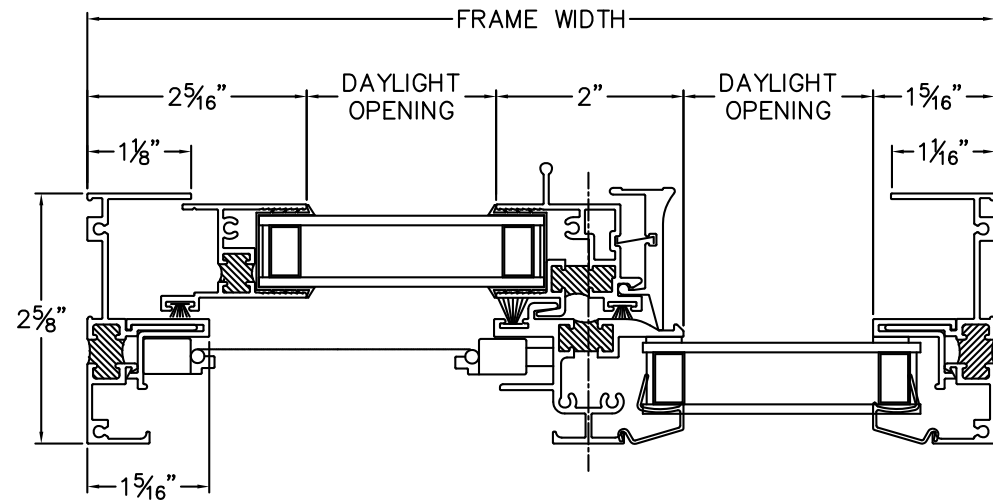
More Technical Documents can be found at milgard.com/professionals

Due to continual research and development, details may be changed at any time. ©2013 Milgard Mfg.

HORIZONTAL SLIDER SERIES 1120



HEAD & SILL



JAMBS