

Cross Section Drawing

Thermal Break Aluminum Sliding Door 1 1/8" Nailfin Setback Frame



Clearly the best.™

CAD File Scale
NTS

View
Horizontal & Vertical

File Name
Aluminum_TIE_420_SGD_OAPO

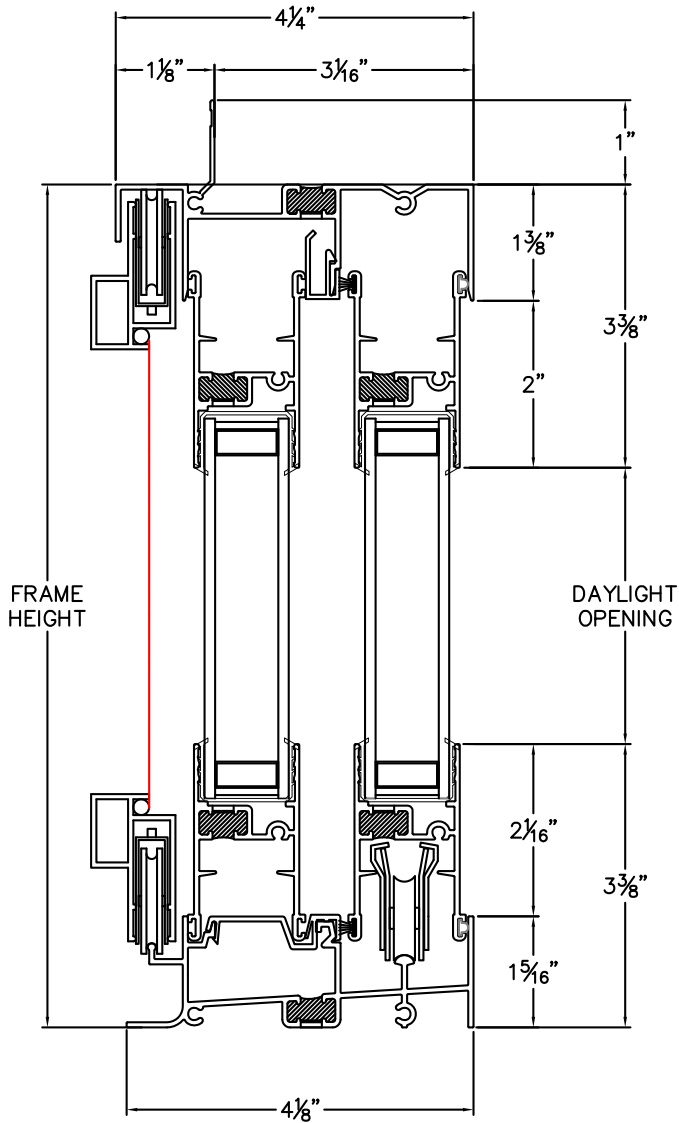
Units
Inch

Revision
5/2015

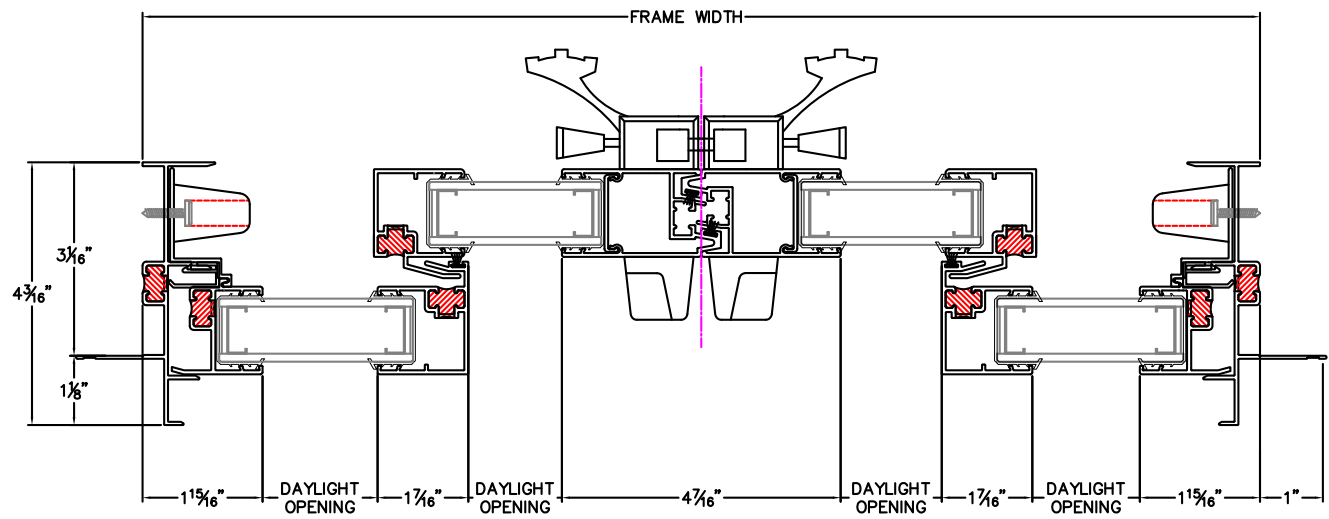
More Technical Documents can be found at milgard.com/professionals

Due to continual research and development, details may be changed at any time. ©2015 Milgard Mfg.

SLIDING DOOR SERIES 420



HEAD & SILL



JAMBS