

**Cross Section Drawing**  
**AX550 Stacking Door O2X Low Sill**  
**Block Frame**



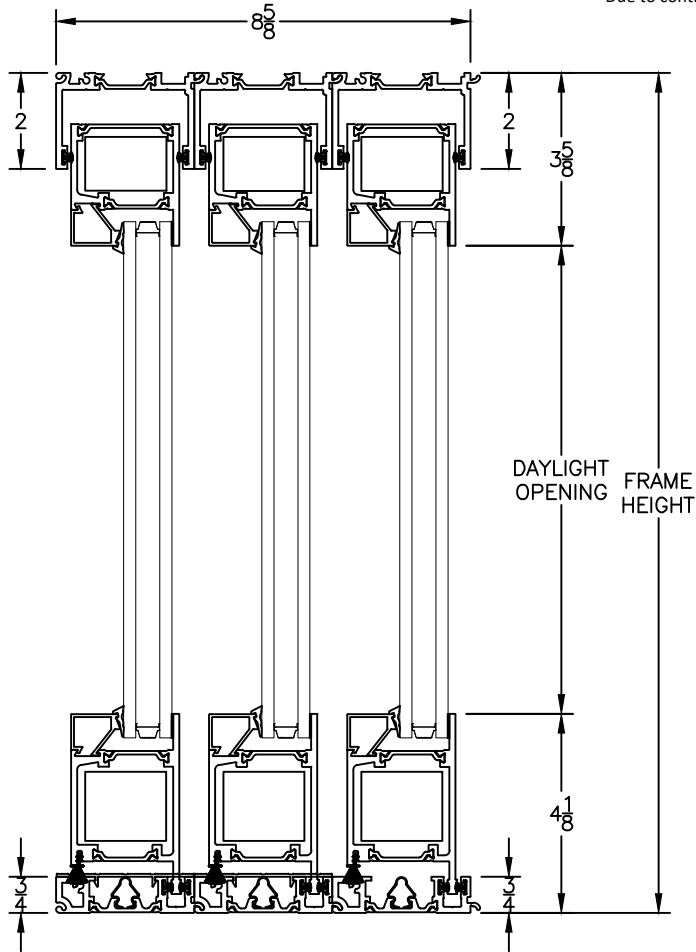
*Clearly the best.™*

CAD File Scale	View	File Name	Units	Revision
NTS	Horizontal & Vertical	AX550_11600_Stack_O2X_LOW_Sill_Block	Inch	02/2021

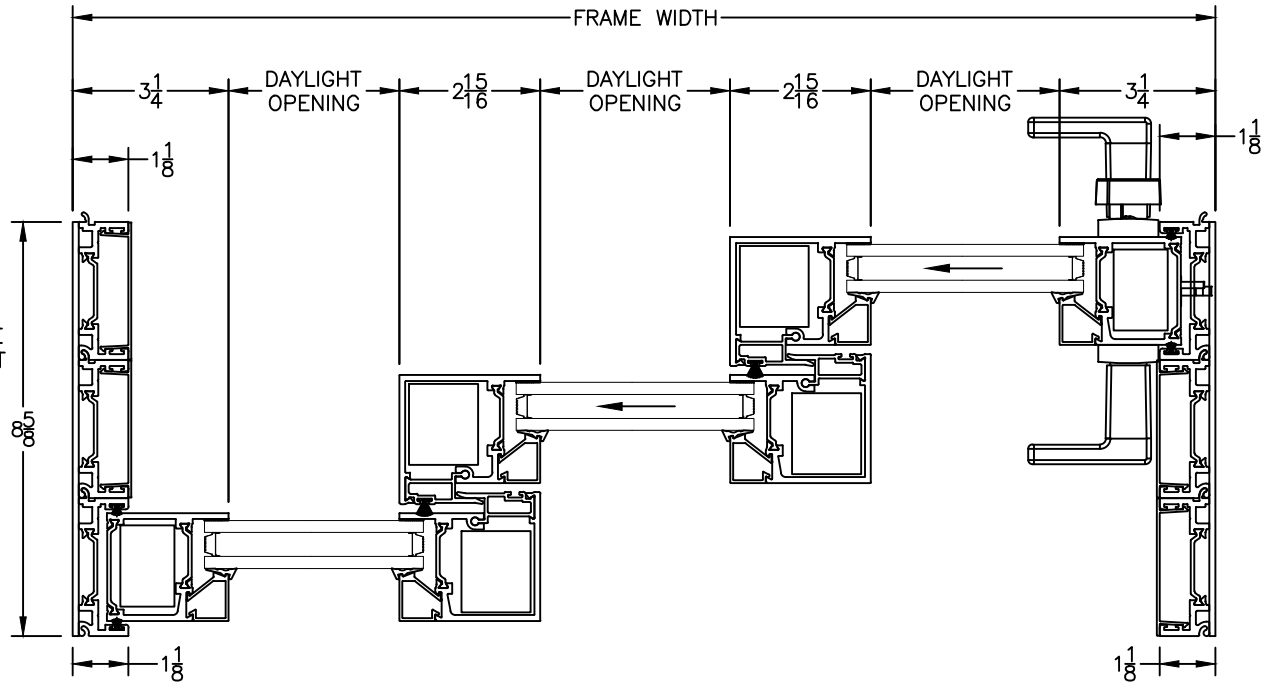
More Technical Documents can be found at [milgard.com/professionals](http://milgard.com/professionals)  
 Due to continual research and development, details may be changed at any time. ©2021 Milgard Mfg.

**STACKING**  
**SERIES 11600**

Configuration O2X shown  
 Configuration 2X0 also available



HEAD & SILL



JAMBS