

**Cross Section Drawing**  
**Trinsic Single Casement Window**  
**1" Nailfin Setback Accessory Groove Frame, 3/4" Flat "J" Channel**

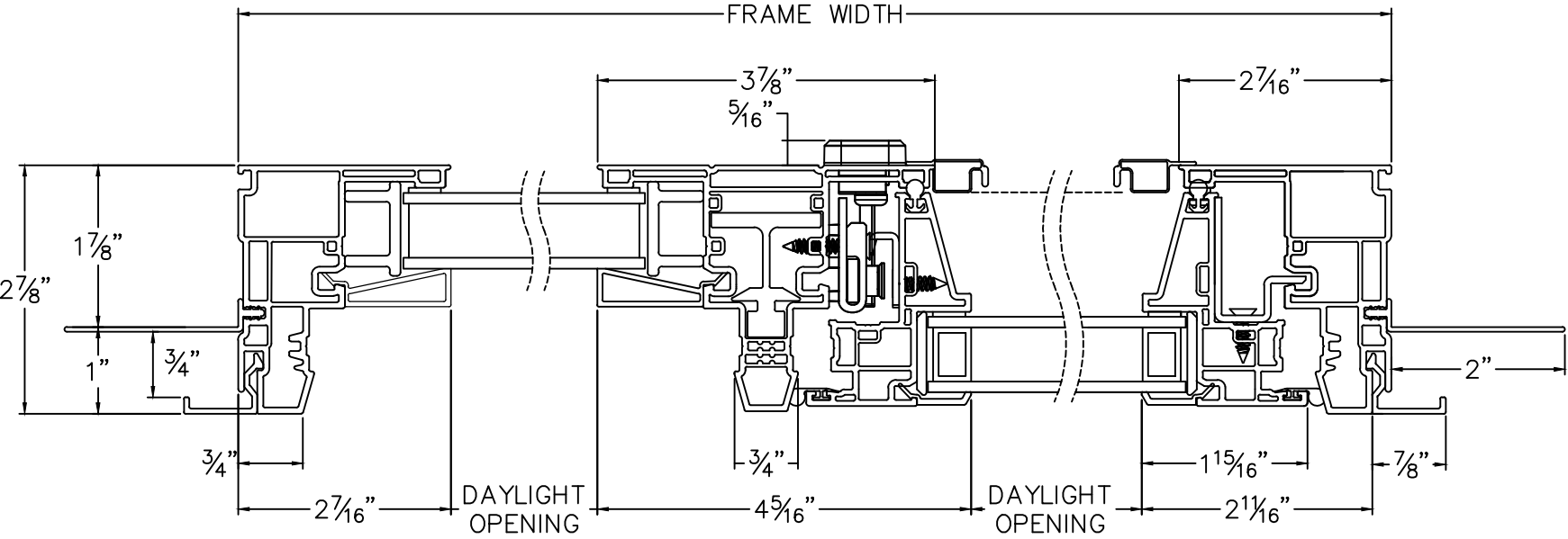
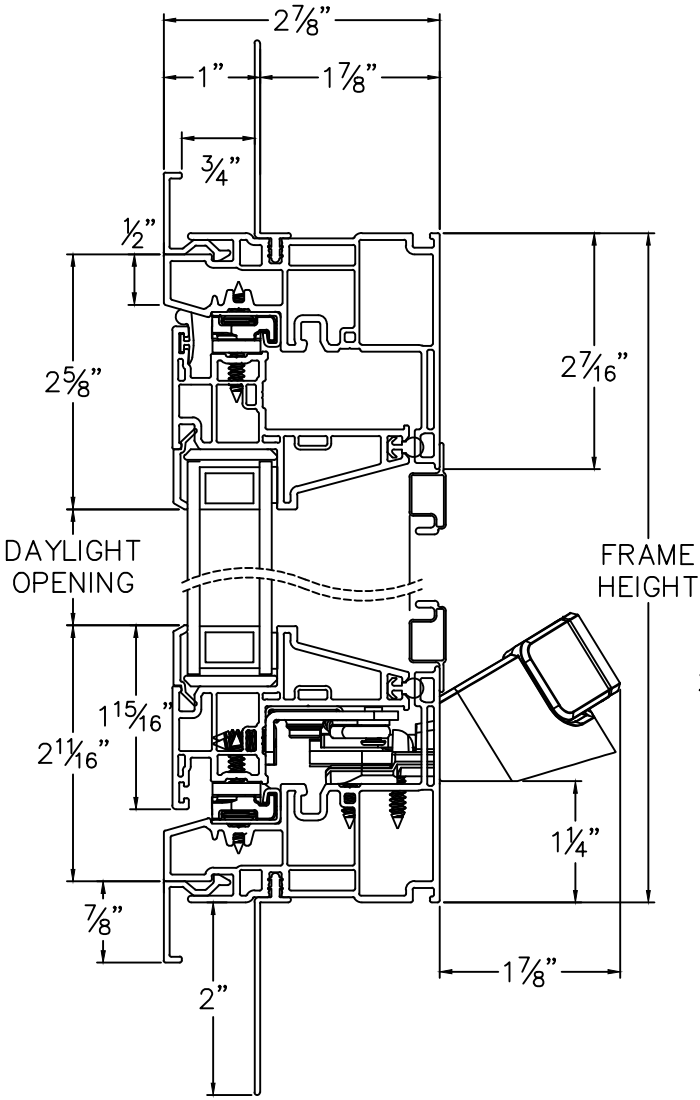
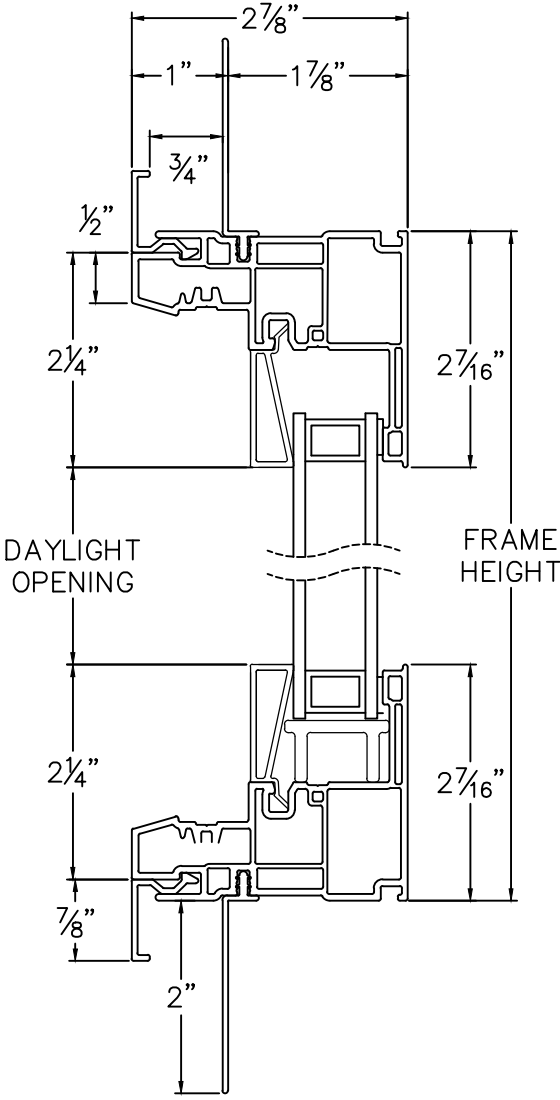


*Clearly the best.™*

CAD File Scale	View	File Name	Units	Revision
NTS	Horizontal & Vertical	Trinsic_2530J_SC_1in_j-channel	Inch	2/2020

More Technical Documents can be found at [milgard.com/professionals](http://milgard.com/professionals)  
 Due to continual research and development, details may be changed at any time. ©2020 Milgard Mfg.

**CASEMENT**  
**SERIES 2530J**



HEAD & SILL

JAMBS