

Cross Section Drawing

Ultra Double Casement Window

1 3/8" Nailfin Setback

CAD File Scale
NTS

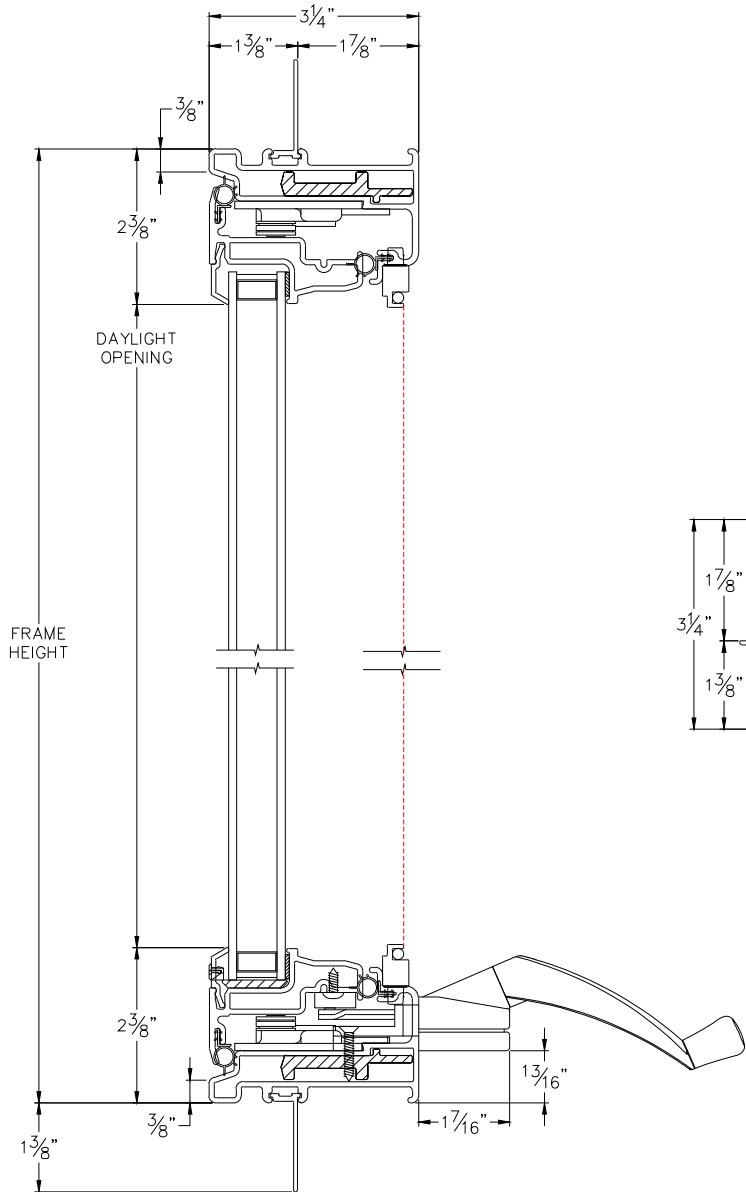
View
Horizontal & Vertical

File Name
Ultra_3510U_DC_1.375in

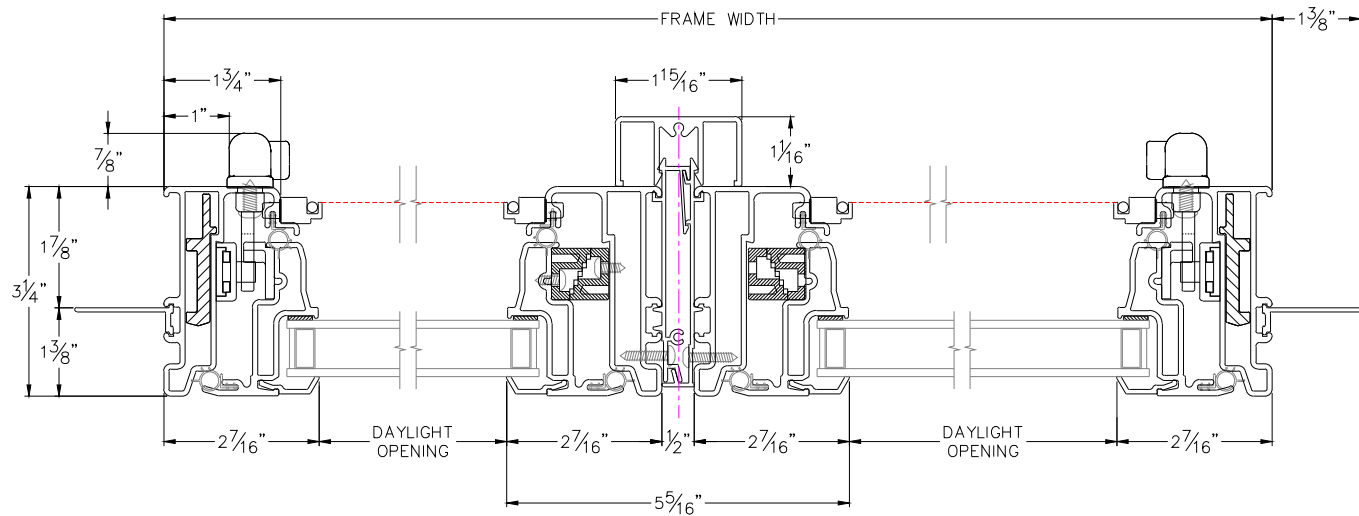
Units
Inch

More Technical Documents can be found at milgard.com/professionals
Due to continual research and development, details may be changed at any time. ©2013 Milgard Mfg.

CASEMENT SERIES 3510



HEAD & SILL



JAMBS