

**Cross Section Drawing**  
**V150 Sliding Door OXO**  
**Block Frame**

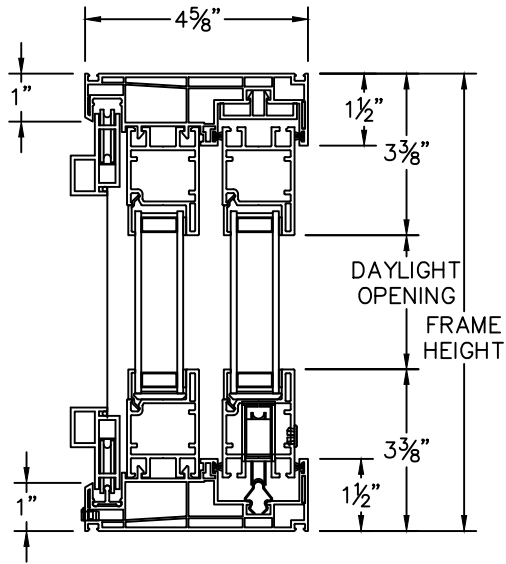


*Clearly the best.™*

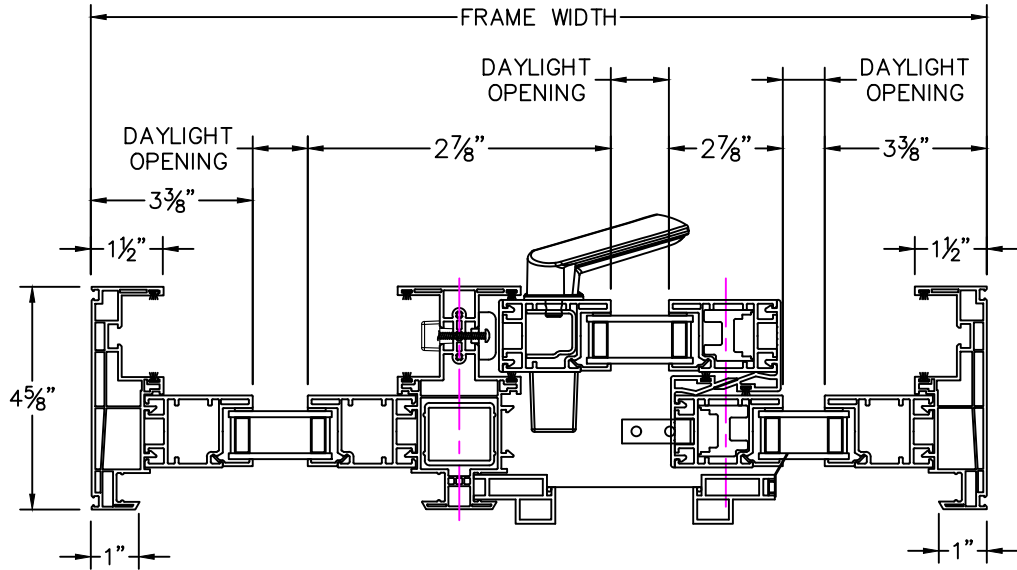
| CAD File Scale | View                  | File Name                | Units | Revision |
|----------------|-----------------------|--------------------------|-------|----------|
| NTS            | Horizontal & Vertical | V150_2610B_SGD_OXO_block | Inch  | 7/2021   |

More Technical Documents can be found at [milgard.com/professionals](http://milgard.com/professionals)  
 Due to continual research and development, details may be changed at any time. ©2021 Milgard Mfg.

**SLIDING DOOR**  
**SERIES 2610B**



**HEAD & SILL**



**JAMBS**