

Cross Section Drawing

**Tuscany Outswing Door
1 3/8" Nailfin Setback, 4 9/16" Wall Condition**

CAD File Scale
NTS

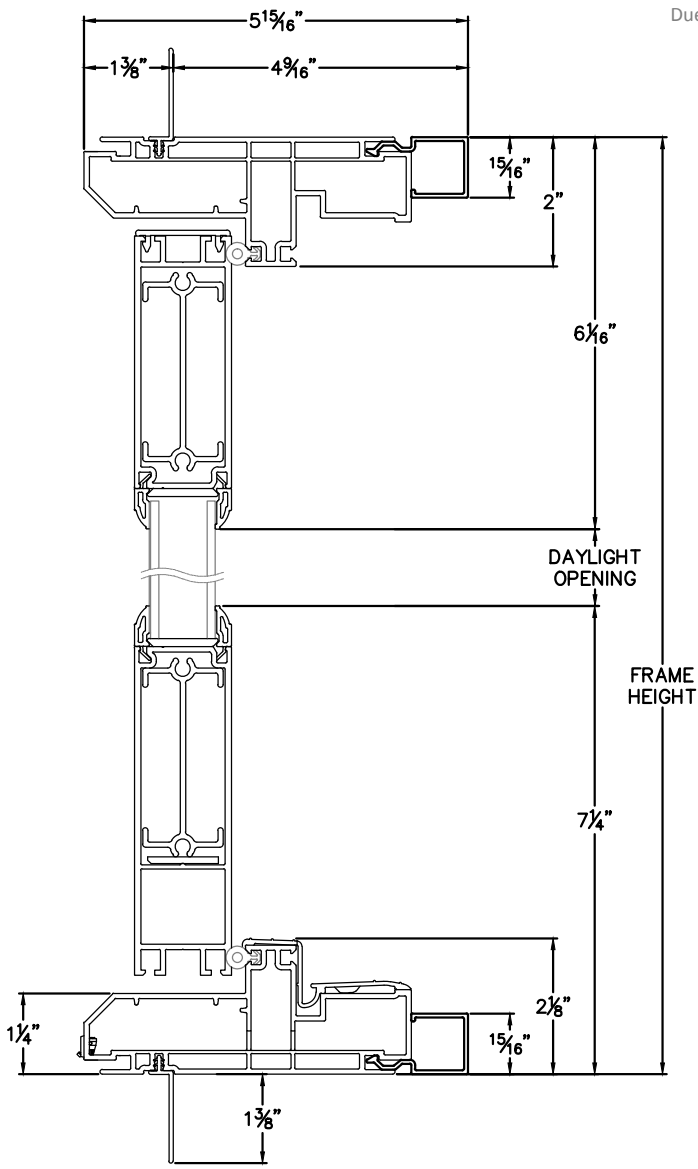
View
Horizontal & Vertical

File Name
Tuscany_8643T_VOS_X_1375in_4.563wall

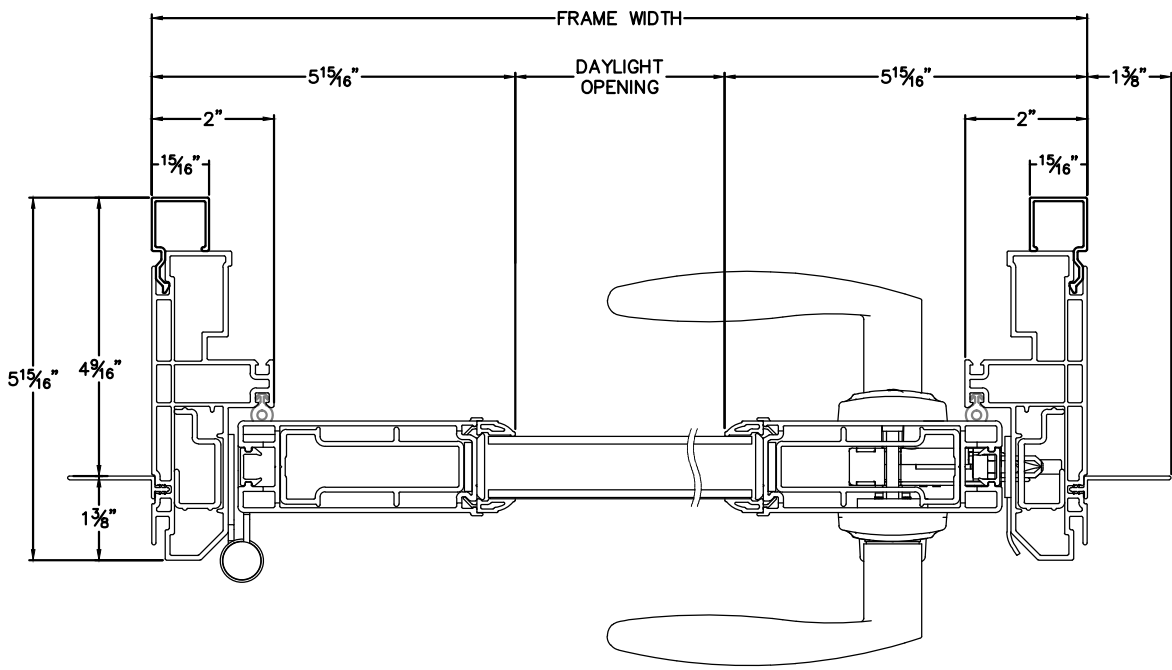
Units
Inch

More Technical Documents can be found at milgard.com/professionals
Due to continual research and development, details may be changed at any time. ©2013 Milgard Mfg.

**OUTSWING DOOR
SERIES 8643**



HEAD & SILL



JAMBS