

# Cross Section Drawing

## Tuscany Outswing Door 1" Nailfin Setback, 4 9/16" Wall Condition



Clearly the best.™

CAD File Scale  
NTS

View  
Horizontal & Vertical

File Name  
Tuscany\_8643T\_VOS\_X\_1in\_4.063wall

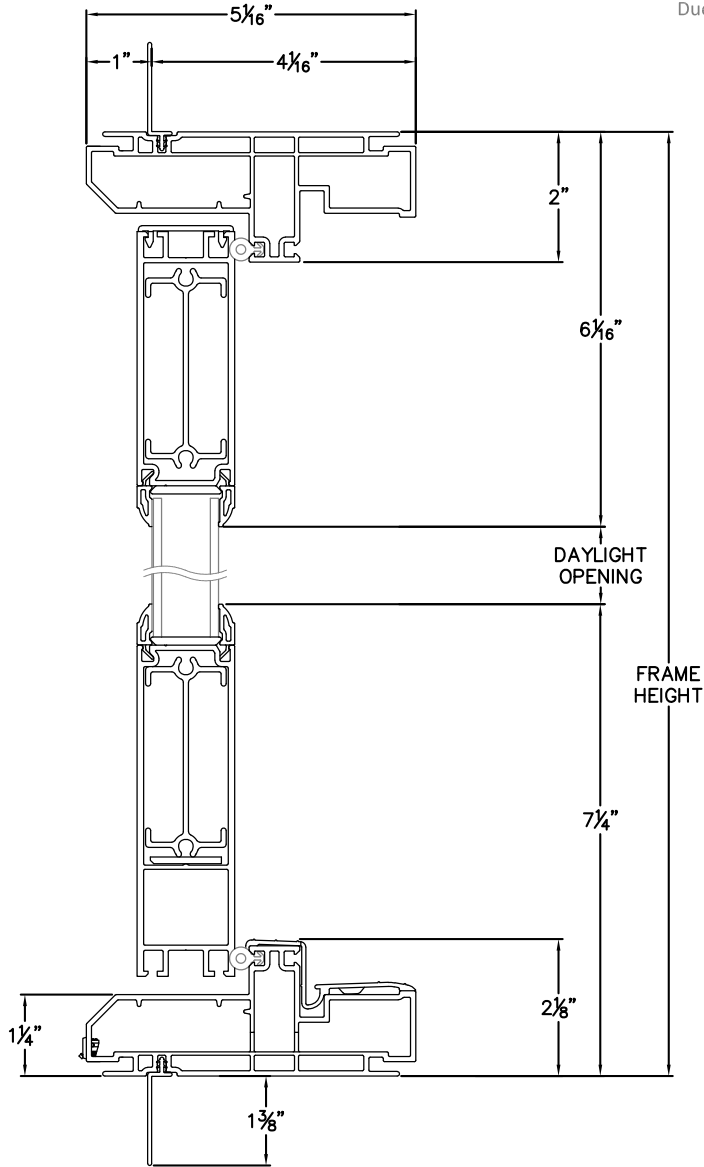
Units  
Inch

Revision  
5/2024

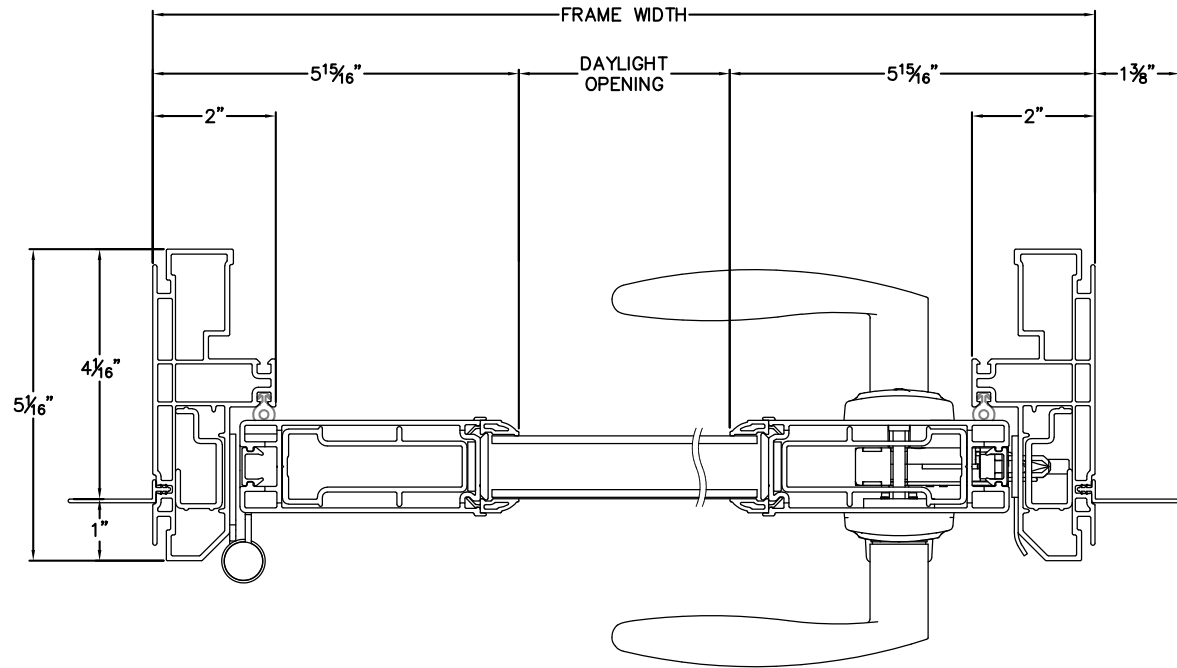
More Technical Documents can be found at [milgard.com/professionals](http://milgard.com/professionals)

Due to continual research and development, details may be changed at any time. ©2024 Milgard Mfg.

### OUTSWING DOOR SERIES 8643



HEAD & SILL



JAMBS