

Cross Section Drawing

AX650 Multi-Slide Pocket Door, 9080 P3X Mid Sill



CAD File Scale
NTS

View
Horizontal & Vertical

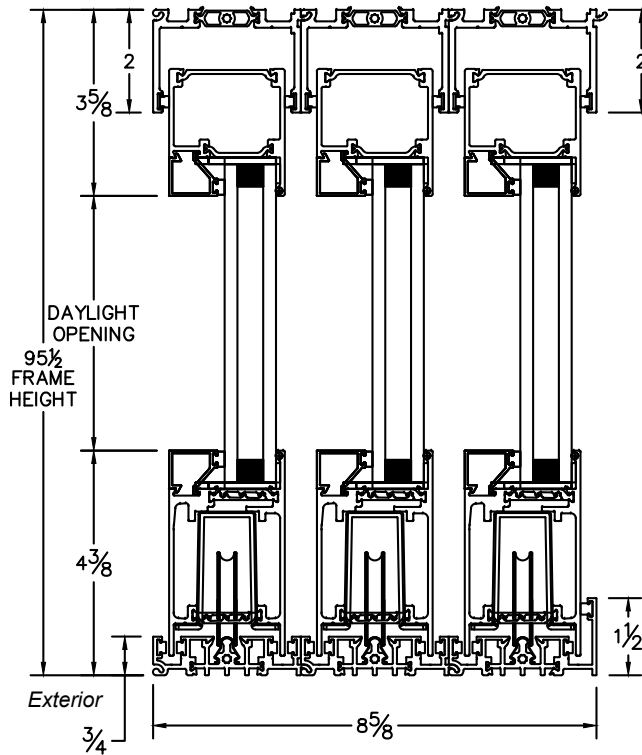
File Name
AX650 Pocket P3X MID SILL 9080

Units
Inch

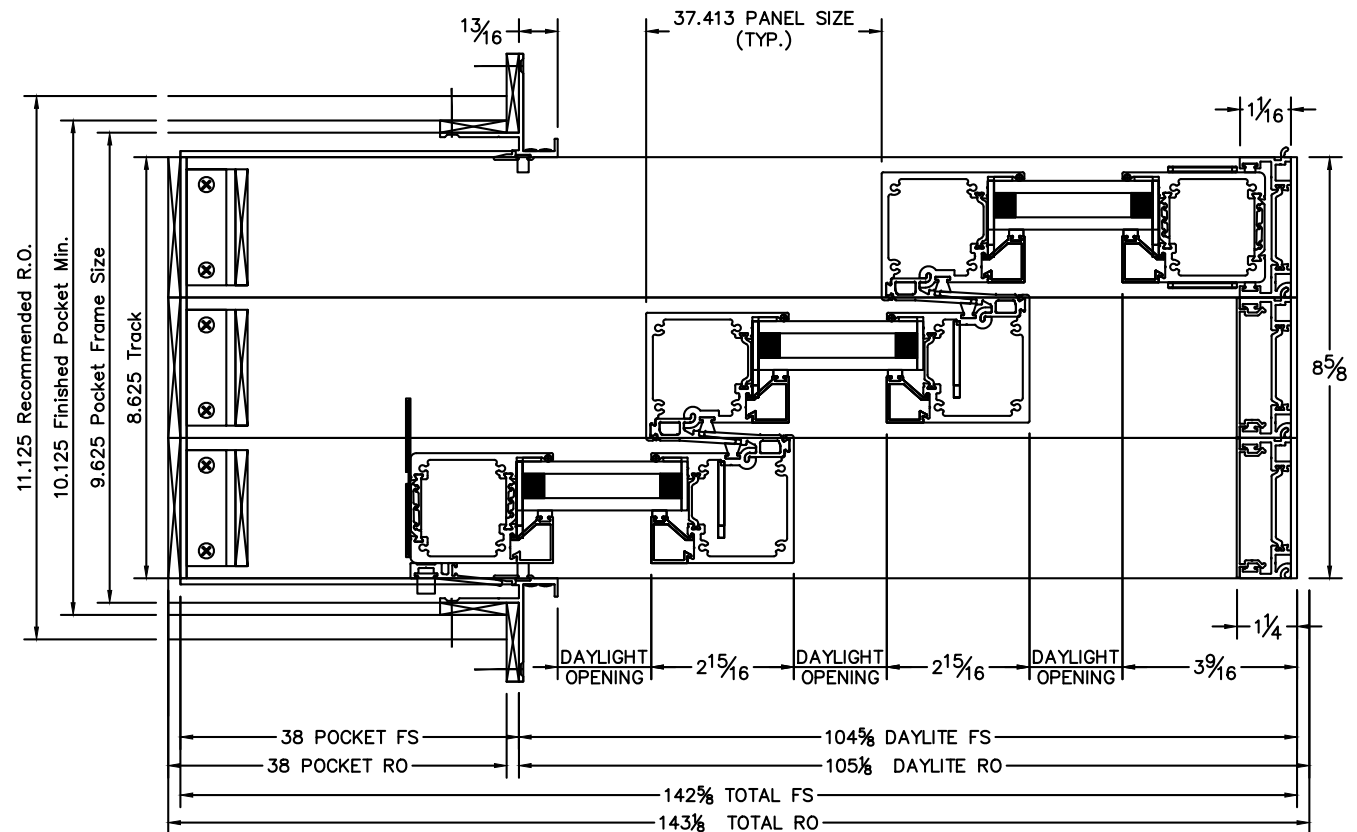
Revision
08/2025

More Technical Documents can be found at milgard.com/professionals
Due to continual research and development, details may be changed at any time. ©2025 Milgard Mfg.

POCKET



HEAD & SILL



JAMBS