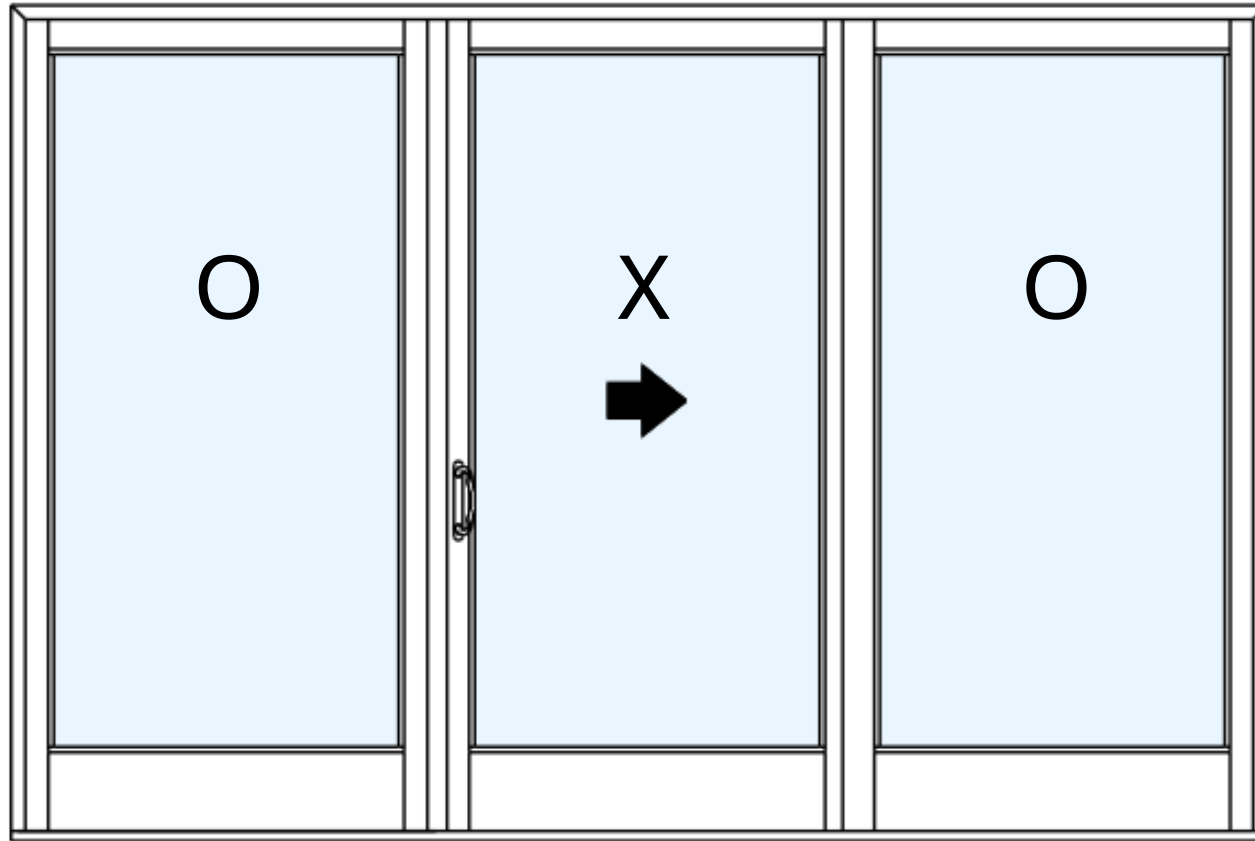


# C650 3 Panel OXO Sliding Glass Door Field Panel Installation Instructions



# C650 3 Panel OXO SGD Parts Checklist

<b>C650 SGD: 3 PANEL OXO &amp; XOO/OOX PARTS CHECKLIST</b>			
<b>Description</b>	<b>Milgard P/N</b>	<b>Qty</b>	<b>Check</b>
Main Frame	N/A	1	<input type="checkbox"/>
1.4 Fixed Panel W/ IMR	N/A	1	<input type="checkbox"/>
Screen	N/A	-	<input type="checkbox"/>
Sill Pans	N/A	-	<input type="checkbox"/>
Frame Head Cover	PX6247XX	1	<input type="checkbox"/>
Vent Panel Interior & Exterior Handle Kit	Varies	-	<input type="checkbox"/>
Fixed Panel Cover	PX6245XX	2	<input type="checkbox"/>
Fixed Panel L-Bracket	HA6919SS	2	<input type="checkbox"/>
#10 x 2 PH Philips SMS	FA0370SS	2	<input type="checkbox"/>
#10 x 3/4 FH Philips SMS	FA0445ZP	2	<input type="checkbox"/>
Screw to fasten Fixed Panel Cover	FA0001ZPBL	2	<input type="checkbox"/>
Fixed Panel Cover Dust Plug	WS6035FSXX	2	<input type="checkbox"/>
Vent Panel	N/A	1	<input type="checkbox"/>
Fixed Panel	N/A	1	<input type="checkbox"/>
<b>Tools Required</b>			<b>Check</b>
Rubber Mallet			<input type="checkbox"/>
Tape Measure			<input type="checkbox"/>
Screw Gun			<input type="checkbox"/>

# C650 3 Panel OXO SGD

**ADVISORIES AND DISCLAIMERS:** Fully read and follow instructions to ensure proper panel installation on C650 Sliding Glass Door product. Product has been shipped with 1 of the fixed panels pre-installed and the remaining fixed panel & vent panel shipped loose.

Read this entire document before proceeding with the assembly of Milgard's products. These instructions address only the installation process for panels into Milgard sliding door products. Read and fully understand ALL manufacturer's instructions prior to beginning the assembly. Fully follow the applicable Milgard Installation Recommendation for the door. Failure to follow the applicable installation instructions may affect the ability to assemble and operate the door, as well as coverage under the applicable Milgard express limited warranty.

These instructions are to be used only with products specifically ordered with the panel orientation addressed in these instructions. Products must be identified as such on the order documents so the manufacturing plant can properly prepare the products for field assembly. If the doors do not arrive prepared for use with this set of instructions, do not move forward with installation and contact your Milgard representative.

This is a finished product that must be protected before, during and after installation to prevent damage to the glass, frame, finish and hardware. All component parts, including door panels, should be stored in a dry location that is protected from the elements.

Doors requiring field assembly will be delivered with a kit containing the items that should be used when assembling the panels and hardware. Milgard's products are rated for performance based on the specific items and fasteners included with this kit. Any deviation from these guidelines or substitutions/use of parts not provided with the kit could affect the performance of the product.

Proper panel installation and operation requires appropriate support and securing of fasteners into rough opening framing members. This has the potential to impact the flashing and water management systems at a product opening. Consult the responsible system supplier or responsible owner, architect and/or builder to ensure that support and fastening of the door is effective and in compliance with applicable laws, site requirements and building codes.

Inspect the panel and door frame thoroughly before beginning the assembly process. Ensure all product and hardware options are included with the product. Inspect and report any product or panel damage or other concerns to your Milgard representative prior to moving forward with installation.

# C650 3 Panel OXO SGD

**ADVISORIES AND DISCLAIMERS (continued):** Jobsite and worker protections are recommended and may be required. Follow all manufacturers' instructions for appropriate and safe use of protective equipment, tools, materials, hardware and site protections necessary for assembly of the products. Use caution when handling glass. Broken or cracked glass can cause serious injury.

It is the responsibility of the installation contractor to consult and establish appropriate safety and health practices and determine the applicability of regulatory limitations prior to commencing installation. Do not work alone and use safe lifting techniques. Two or more people may be required to lift. Use a reasonable amount of people with enough strength to lift, carry and install to avoid injury and/or damage to the Product.

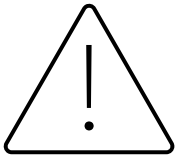
It is the sole responsibility of the owner, architect, and/or builder to select the correct products and ensure that installation is in compliance with applicable laws, site requirements, and building codes. Failure to follow these recommendations, local requirements, or good building practices may affect the availability of remedies under Milgard's warranty.

Entry doors of any kind include elements specifically intended to address security and safety concerns. Ensure appropriate glass selection, hardware systems, and presence of security elements (e.g., antilift blocks) are present on the product before moving forward with installation. Proper assembly and adjustment of security and safety devices must be observed prior to finalizing panel installation.

# C650 3 Panel OXO SGD Field Panel Installation

## Step 1:

- Remove all packaging components from all panels.
- Identify fixed & active panels prior to installation. Identify necessary hardware, accessories, handle kits.
- Install frame into rough opening prior to installation of any panels following best practices.



**Caution:** Sharp fastener tip may be exposed on the interior of frame. Avoid contact.



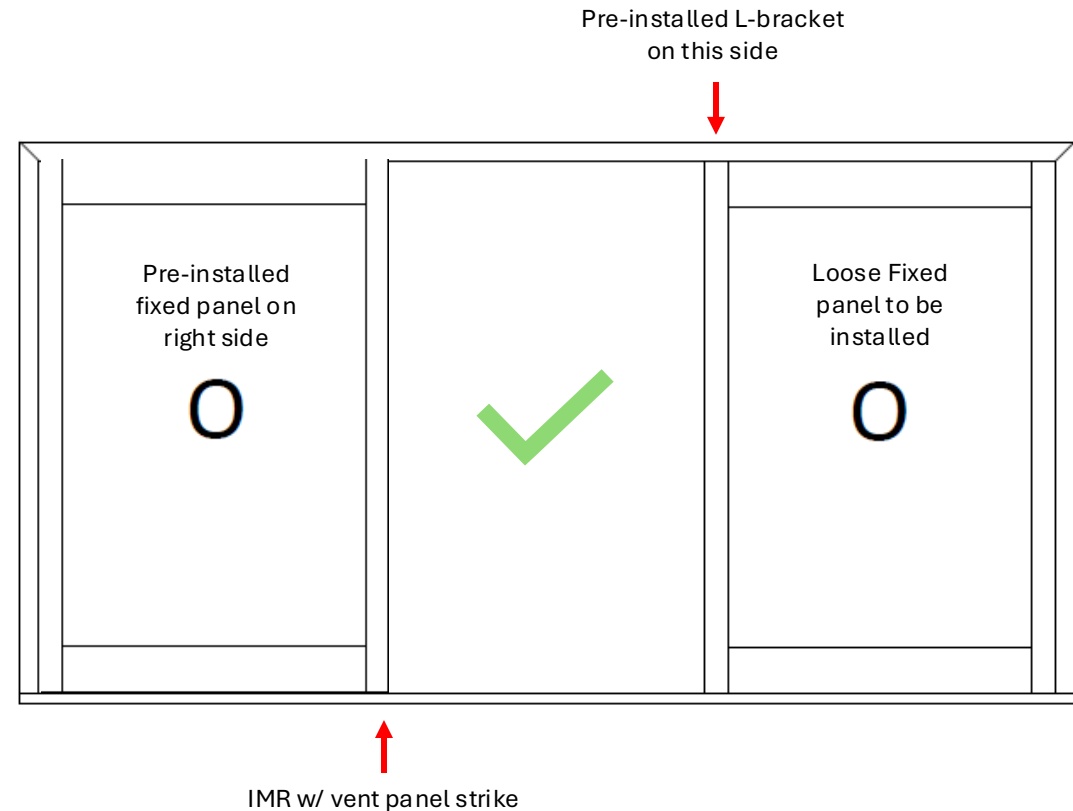
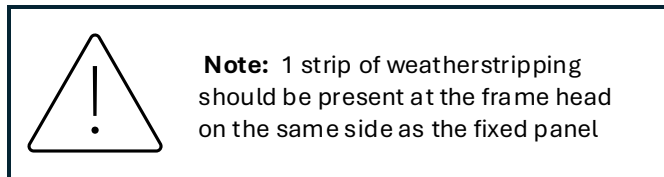
# C650 3 Panel OXO SGD Field Panel Installation

**Note:** This section applies to field panel installation for 3 panel OXO SGD's

## Step 2a:

Identify if pre-installed fixed panel is on the left or right. As shown pre-installed fixed panel is on the right.

The loose, fixed panel comes with 1 L-bracket pre-attached on the top of the panel that is used to attach the panel to the head of the mainframe. The pre-installed fixed panel with the IMR will be located next to the frame jamb, either on the left or right side depending on configuration. See diagram below for appropriate fixed panel orientation prior to installation.

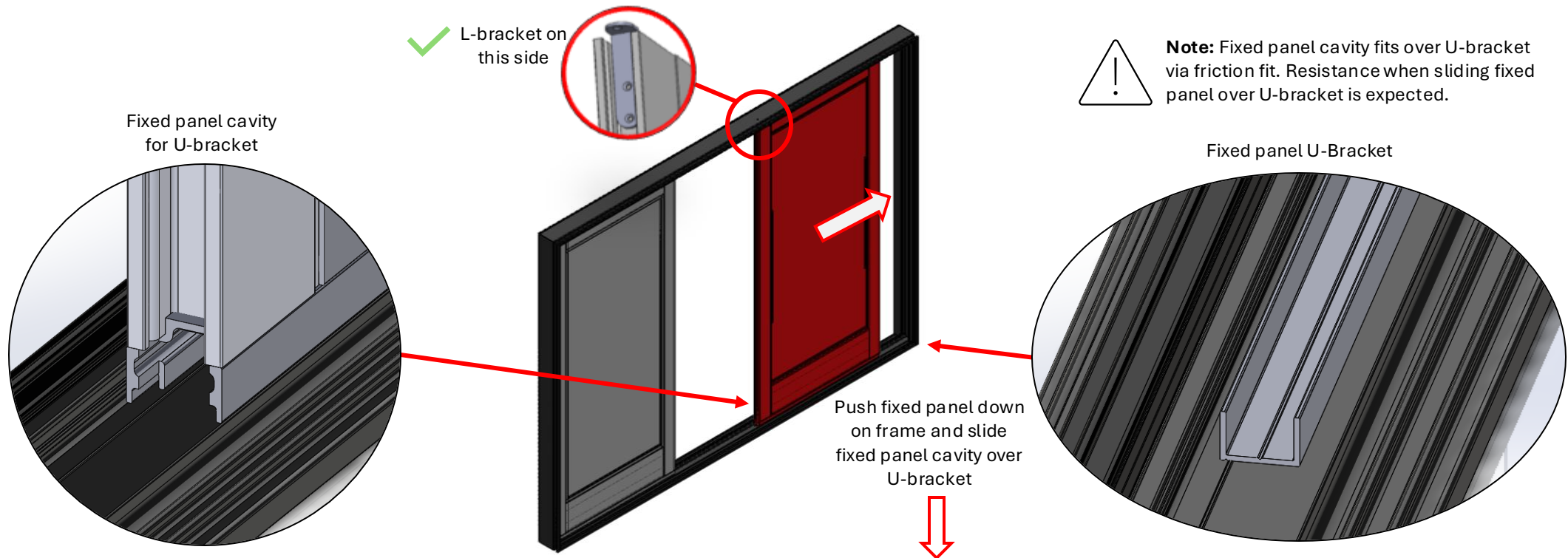


# C650 3 Panel OXO SGD Field Panel Installation

## Step 2b:

**Note:** This section applies to field panel installation for 3 panel OXO SGD's

- Align the pre-attached L-bracket in the frame as shown below. Side without the L-bracket should face the frame jamb opposite of the pre-installed fixed panel. Align fixed panel bottom cavity with U-bracket on the frame sill and push fixed panel down onto the frame and slide the fixed panel cavity over the U-bracket. Bottom of fixed panel should be flush with frame sill surface.
- Push fixed panel towards the main frame jamb opposite of pre-installed fixed panel. See step 2c for next steps.

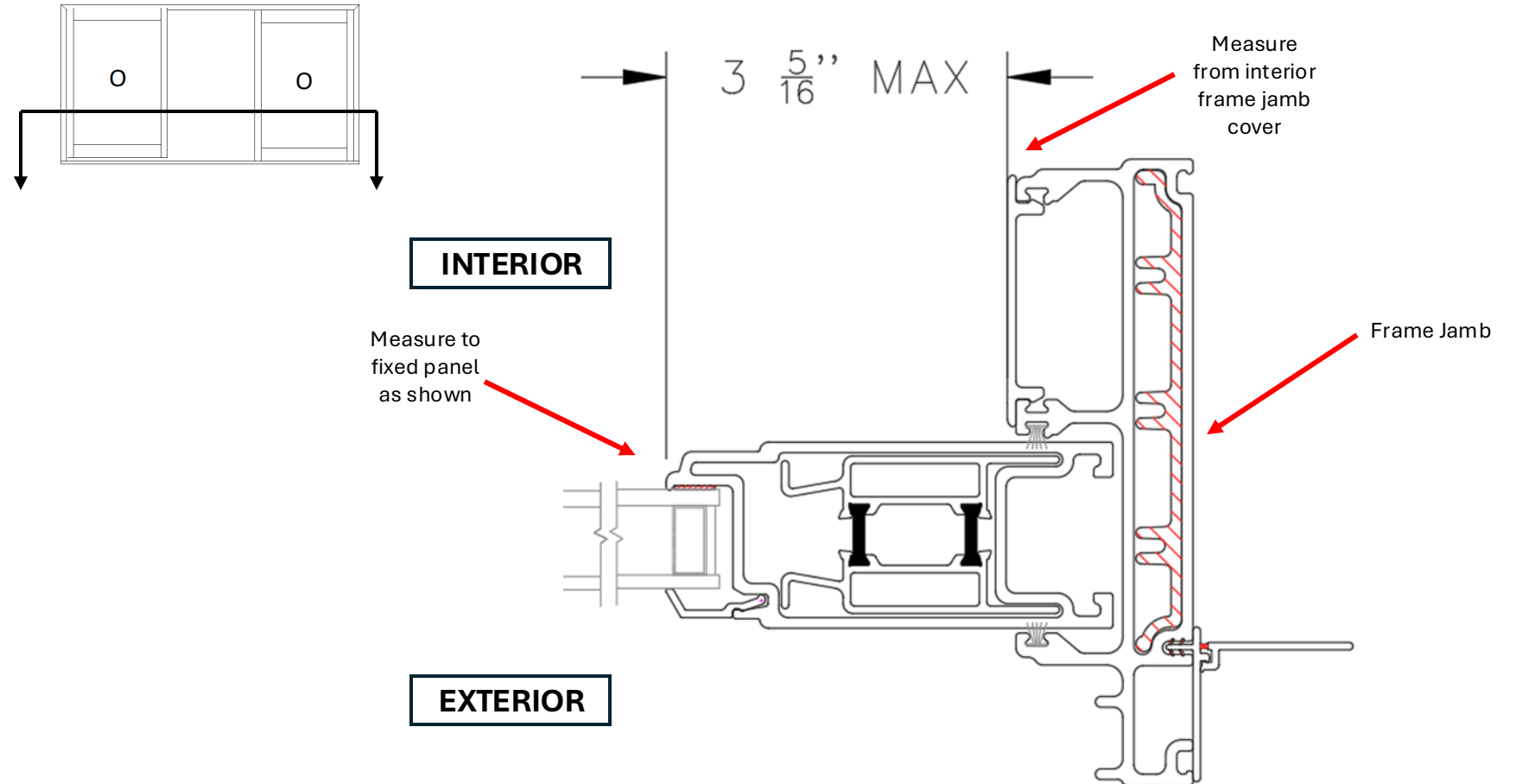


# C650 3 Panel OXO SGD Field Panel Installation

**Note:** This section applies to field panel installation for 3 panel OXO SGD's

## Step 2c:

Use tape measure to determine appropriate fixed panel location when installing into frame. Measurement is not to exceed 3 5/16" when measured from jamb cover to the start of the fixed panel daylight opening as shown below.

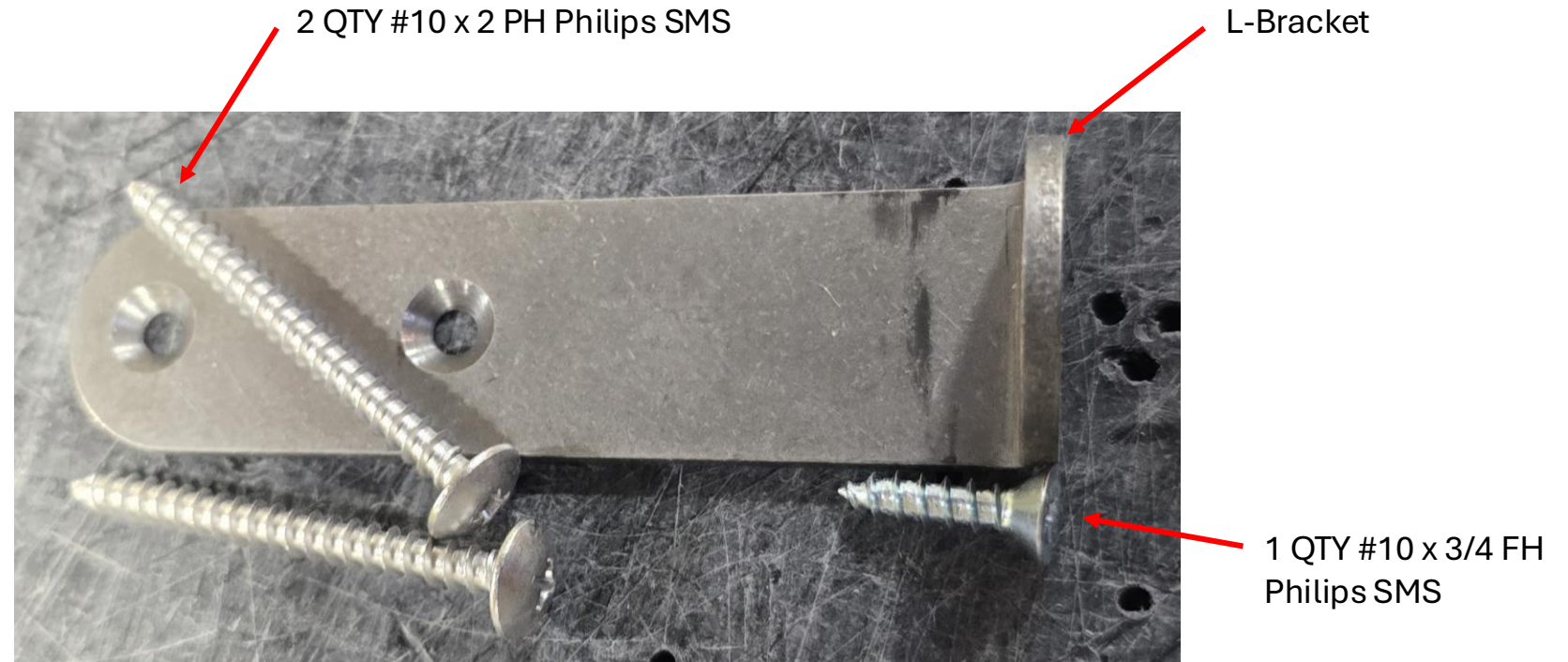


# C650 3 Panel OXO SGD Field Panel Installation

**Note:** This section applies to field panel installation for 3 panel OXO SGD's

## Step 3:

Locate L-bracket and screws for use at the sill. 2 L-brackets are used, 1 at the head and 1 at the sill to attach the fixed panel to the frame. 1 bracket is already installed at the top.

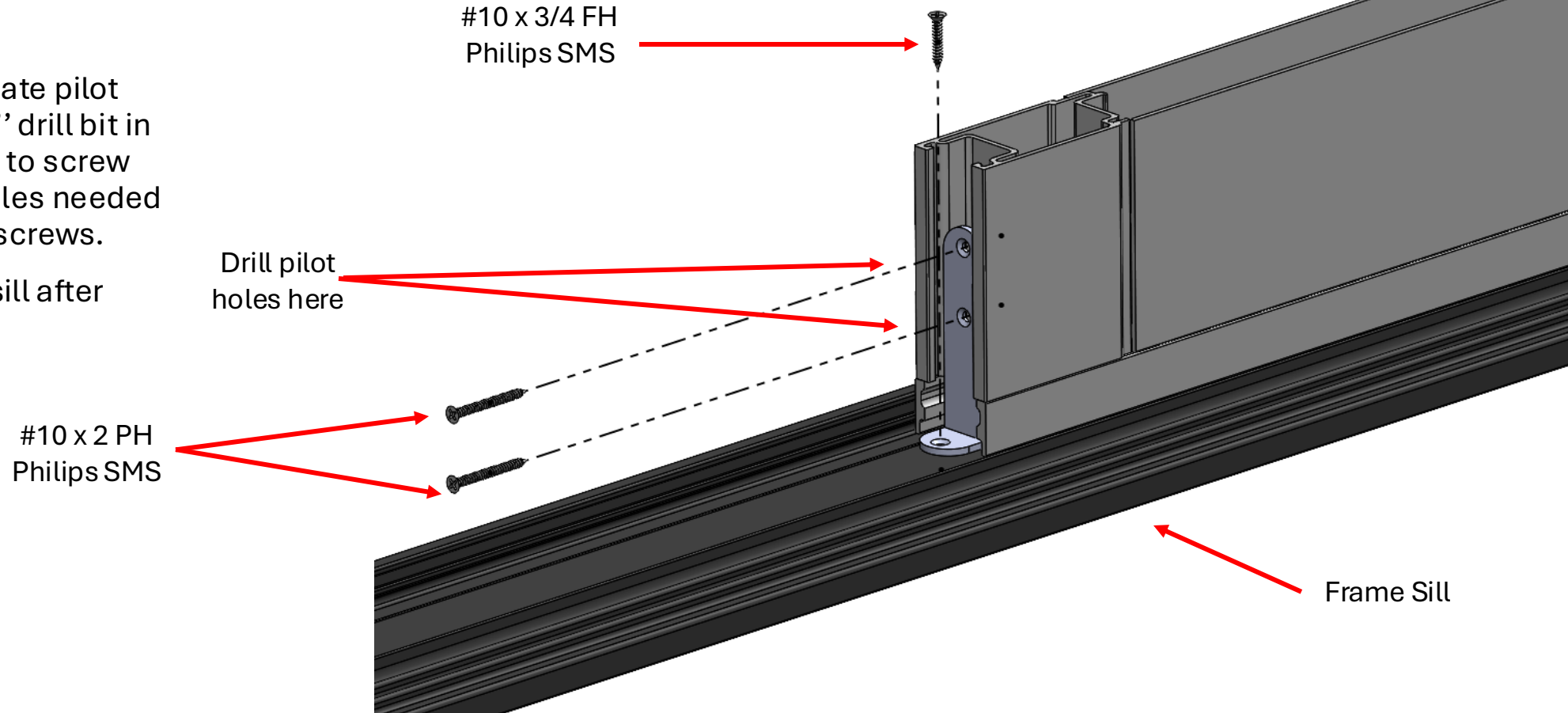


# C650 3 Panel OXO SGD Field Panel Installation

**Note:** This section applies to field panel installation for 3 panel OXO SGD's

## Step 4:

- Use L-bracket to locate pilot holes using an 5/32" drill bit in the fixed panel prior to screw installation. Pilot holes needed only for fixed panel screws.
- Install L-bracket at sill after drilling pilot holes.



# C650 3 Panel OXO SGD Field Panel Installation

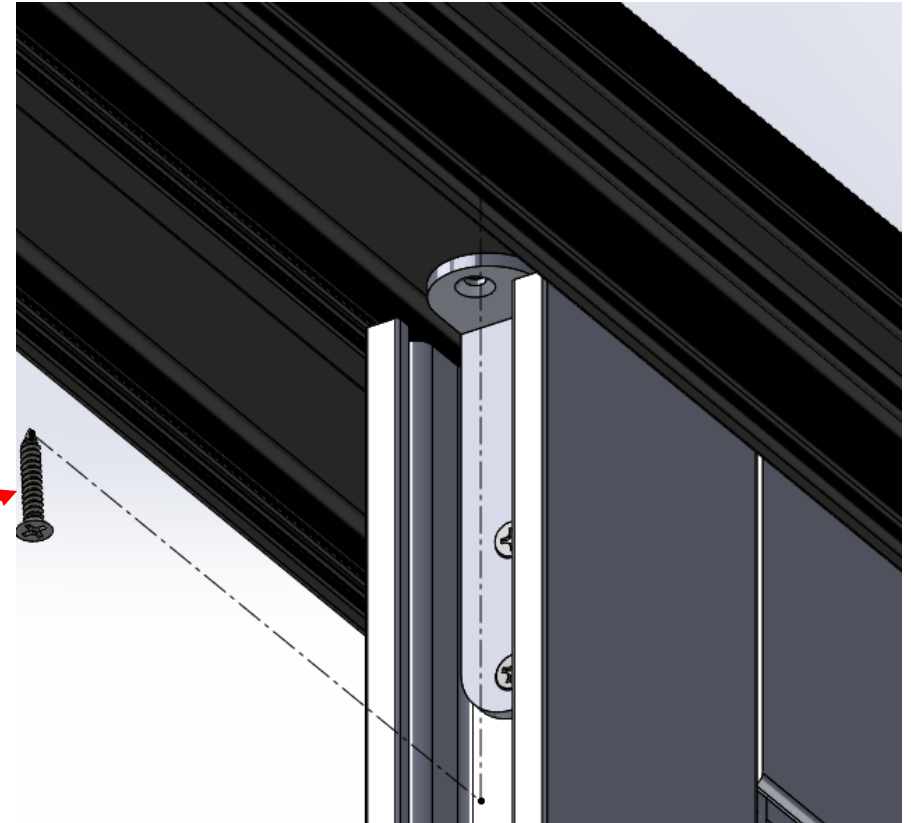
**Note:** This section applies to field panel installation for 3 panel OXO SGD's

## Step 5:

Fasten #10 x 3/4 FH Philips SMS screw into the frame head, do not drill pilot hole.

Frame Head

#10 x 3/4 FH  
Philips SMS



# C650 3 Panel OXO SGD Field Panel Installation

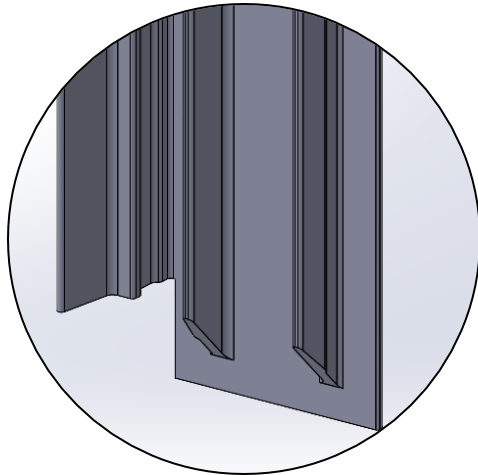
## Step 6:

**Note:** This section applies to field panel installation for 3 panel OXO SGD's

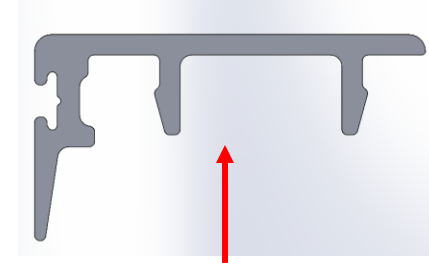
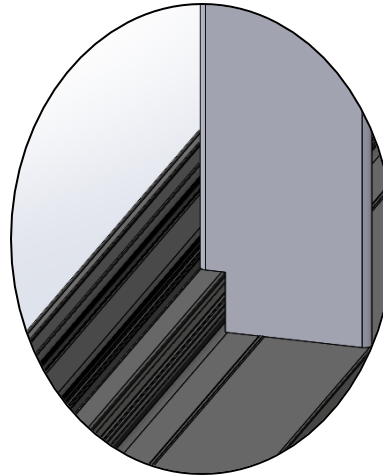
Locate fixed panel interlock cover and attach to the newly installed fixed panel. Use rubber mallet as needed. Notch of the interlock cover sits directly on the frame sill and faces the interior.



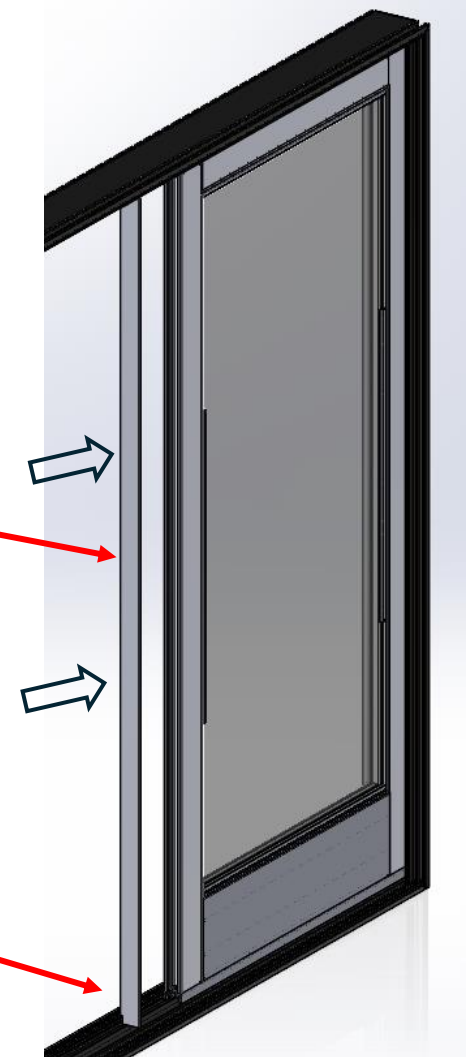
**Note:** The fixed panel interlock cover is shipped with a 45-degree cut back only present on the sill end. Ensure the end with the cut back is placed on the sill



Fixed Panel Interlock Cover Notch  
(also present in the head)



Fixed Panel  
Interlock Cover



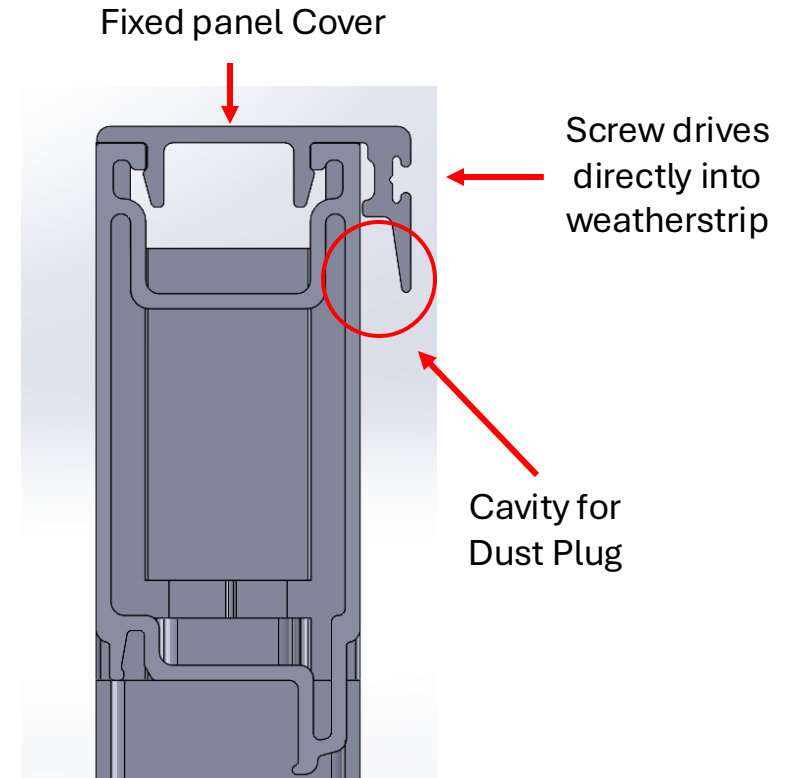
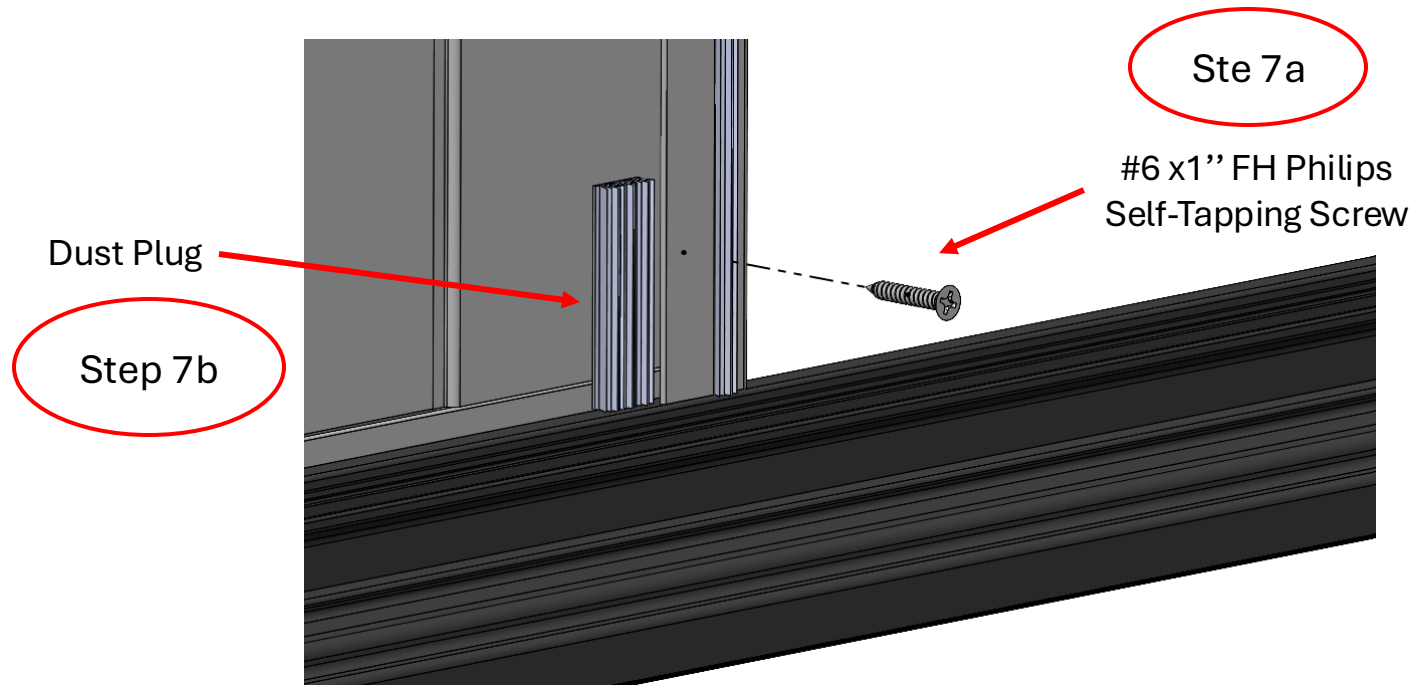
# C650 3 Panel OXO SGD Field Panel Installation

## Step 7:

**Note:** This section applies to field panel installation for 3 panel OXO SGD's

**7a:** Fasten weatherstrip to the newly installed fixed panel cover using #6 x1" FH Philips Self-Tapping Screw 1" to 2" from the frame in both the head and sill.

**7b:** Insert dust plug into fixed panel interlock cover both at head and sill as shown.

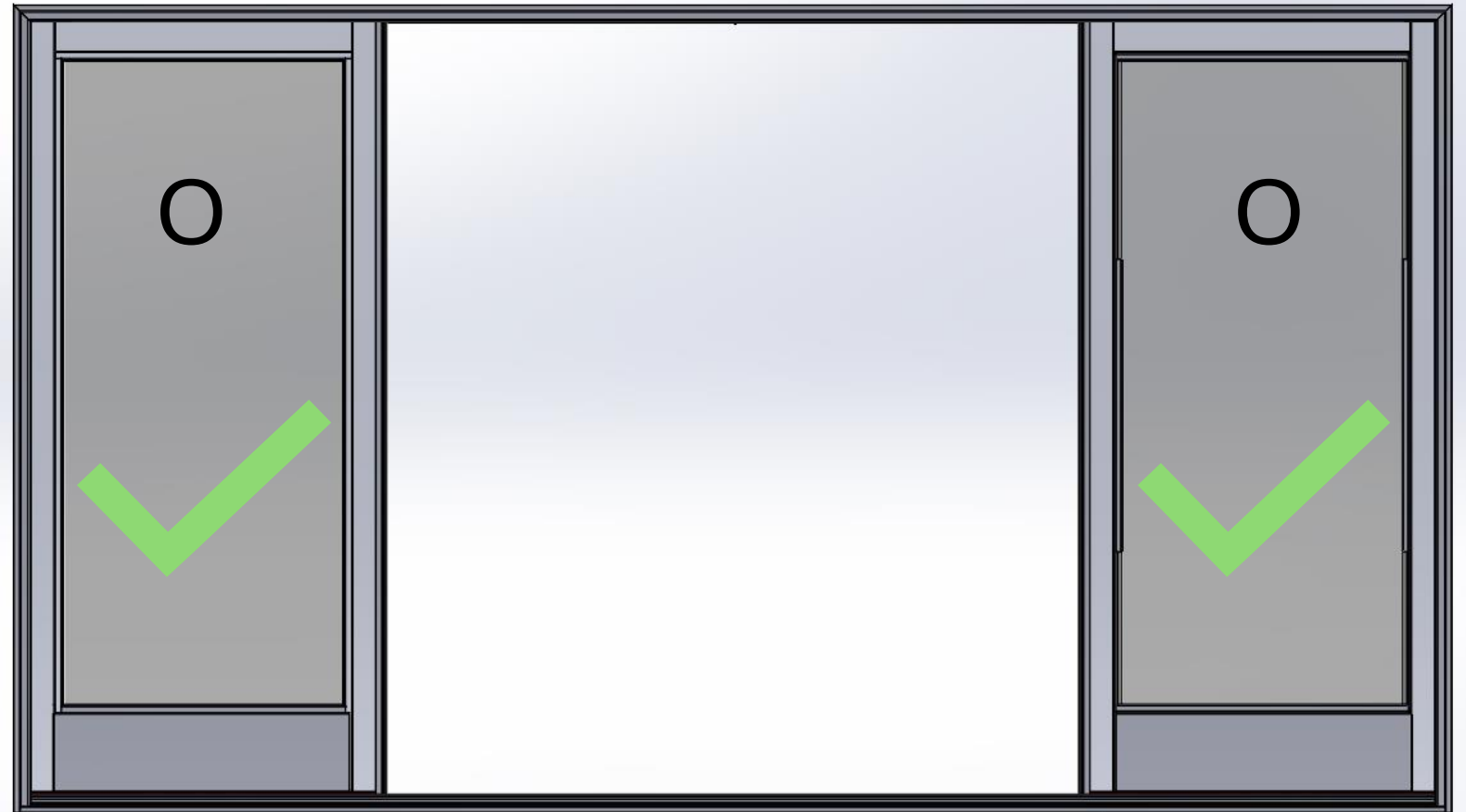


# C650 3 Panel OXO SGD Field Panel Installation

**Note:** This section applies to field panel installation for 3 panel OXO SGD's

## **Step 8:**

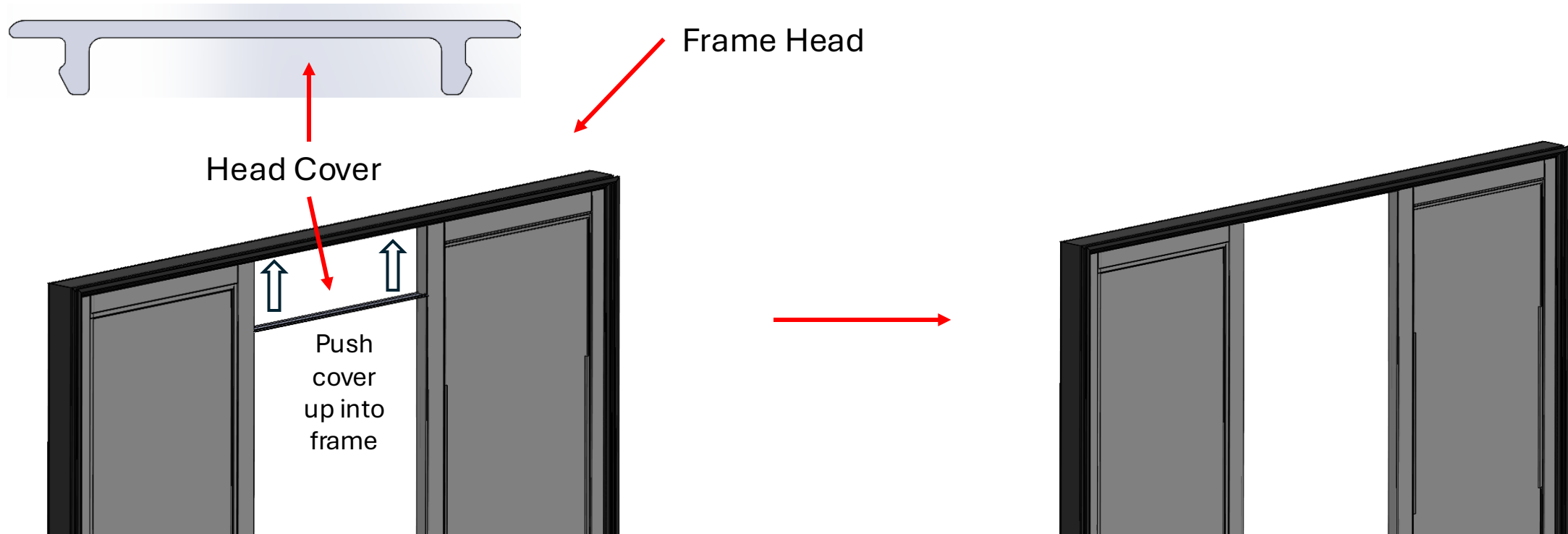
All Fixed panels are now installed.



# C650 3 Panel OXO SGD Field Panel Installation

**Note:** This section applies to field panel installation for 3 panel OXO SGD's

**Step 9:** Locate and attach Frame head cover. Covers should sit flush or close to flush against fixed panel interlock covers. Use rubber mallets if necessary.



# C650 3 Panel OXO SGD Field Panel Installation

**Note:** This section applies to field panel installation for 3 panel OXO SGD's

## **Step 10:**

Locate vent panel. Install panel into frame by pushing panel up and diagonal into the frame head from the interior side. Install handles into the vent panels following included manufacturer's instructions. Adjust vent panel latch as needed to ensure proper operation with strike. If included, locate and install screen. Panel installation is complete.

