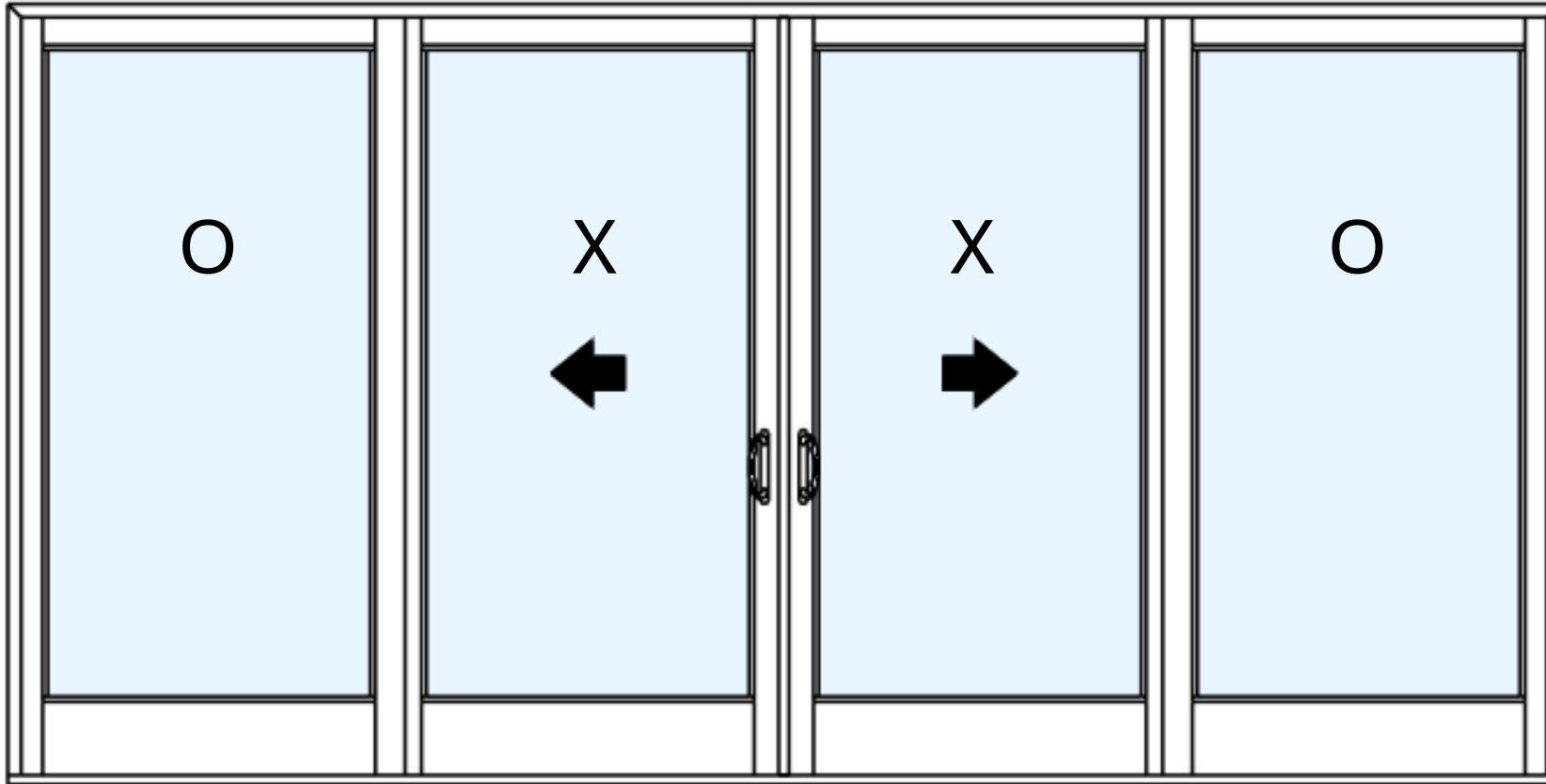


C650 4 Panel Sliding Glass Door Field Panel Installation



C650 4 Panel SGD Shipping Parts Checklist

C650 SGD: 4 PANEL PARTS CHECKLIST			
Description	Milgard P/N	Qty	Check
Main Frame	N/A	1	<input type="checkbox"/>
Passive Panel	N/A	1	<input type="checkbox"/>
Fixed Panel	N/A	2	<input type="checkbox"/>
Screen	N/A	-	<input type="checkbox"/>
Sill Pans	N/A	-	<input type="checkbox"/>
Frame Head Cover	PX6247XX	1	<input type="checkbox"/>
Passive Panel Bracket	FA0201	1	<input type="checkbox"/>
Passive Panel Bracket Screw	FAXXX	1	<input type="checkbox"/>
Vent Panel Interior & Exterior Handle Kit	Varies	2 kits	<input type="checkbox"/>
Fixed Panel Cover	PX6245XX	2	<input type="checkbox"/>
Fixed Panel L-Bracket	HA6919SS	2	<input type="checkbox"/>
#10 x 2 PH Philips SMS	FA0370SS	4	<input type="checkbox"/>
#10 x 3/4 FH Philips SMS	FA0445ZP	4	<input type="checkbox"/>
Screw to fasten Fixed Panel Cover	FA0001ZPBL	4	<input type="checkbox"/>
Fixed Panel Cover Dust Plug	WS6035FSXX	4	<input type="checkbox"/>
Vent Panel	N/A	1	<input type="checkbox"/>
Tools Required			Check
Rubber Mallet			<input type="checkbox"/>
Tape Measure			<input type="checkbox"/>
Screw Gun			<input type="checkbox"/>

C650 4 Panel OXXO SGD

ADVISORIES AND DISCLAIMERS: Fully read and follow instructions to ensure proper panel installation on C650 Sliding Glass Door product. Product is shipped with the all panels shipped loose.

Read this entire document before proceeding with the assembly of Milgard's products. These instructions address only the installation process for panels into Milgard sliding door products. Read and fully understand ALL manufacturer's instructions prior to beginning the assembly. Fully follow the applicable Milgard Installation Recommendation for the door. Failure to follow the applicable installation instructions may affect the ability to assemble and operate the door, as well as coverage under the applicable Milgard express limited warranty.

These instructions are to be used only with products specifically ordered with the panel orientation addressed in these instructions. Products must be identified as such on the order documents so the manufacturing plant can properly prepare the products for field assembly. If the doors do not arrive prepared for use with this set of instructions, do not move forward with installation and contact your Milgard representative.

This is a finished product that must be protected before, during and after installation to prevent damage to the glass, frame, finish and hardware. All component parts, including door panels, should be stored in a dry location that is protected from the elements.

Doors requiring field assembly will be delivered with a kit containing the items that should be used when assembling the panels and hardware. Milgard's products are rated for performance based on the specific items and fasteners included with this kit. Any deviation from these guidelines or substitutions/use of parts not provided with the kit could affect the performance of the product.

Proper panel installation and operation requires appropriate support and securing of fasteners into rough opening framing members. This has the potential to impact the flashing and water management systems at a product opening. Consult the responsible system supplier or responsible owner, architect and/or builder to ensure that support and fastening of the door is effective and in compliance with applicable laws, site requirements and building codes.

Inspect the panel and door frame thoroughly before beginning the assembly process. Ensure all product and hardware options are included with the product. Inspect and report any product or panel damage or other concerns to your Milgard representative prior to moving forward with installation.

C650 4 Panel OXXO SGD

ADVISORIES AND DISCLAIMERS (continued): Jobsite and worker protections are recommended and may be required. Follow all manufacturers' instructions for appropriate and safe use of protective equipment, tools, materials, hardware and site protections necessary for assembly of the products. Use caution when handling glass. Broken or cracked glass can cause serious injury.

It is the responsibility of the installation contractor to consult and establish appropriate safety and health practices and determine the applicability of regulatory limitations prior to commencing installation. Do not work alone and use safe lifting techniques. Two or more people may be required to lift. Use a reasonable amount of people with enough strength to lift, carry and install to avoid injury and/or damage to the Product.

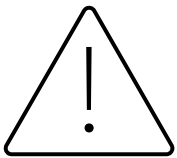
It is the sole responsibility of the owner, architect, and/or builder to select the correct products and ensure that installation is in compliance with applicable laws, site requirements, and building codes. Failure to follow these recommendations, local requirements, or good building practices may affect the availability of remedies under Milgard's warranty.

Entry doors of any kind include elements specifically intended to address security and safety concerns. Ensure appropriate glass selection, hardware systems, and presence of security elements (e.g., antilift blocks) are present on the product before moving forward with installation. Proper assembly and adjustment of security and safety devices must be observed prior to finalizing panel installation.

C650 4 Panel SGD Field Panel Installation

Step 1:

- Remove all packaging components from all panels.
- Identify fixed & active panels prior to installation.
Identify necessary hardware, accessories, handle kits.
- Install frame into rough opening prior to installation of any panels following best practices.



Caution: Sharp fastener tip may be exposed on the interior of frame. Avoid contact.



C650 4 Panel SGD

Field Panel Installation

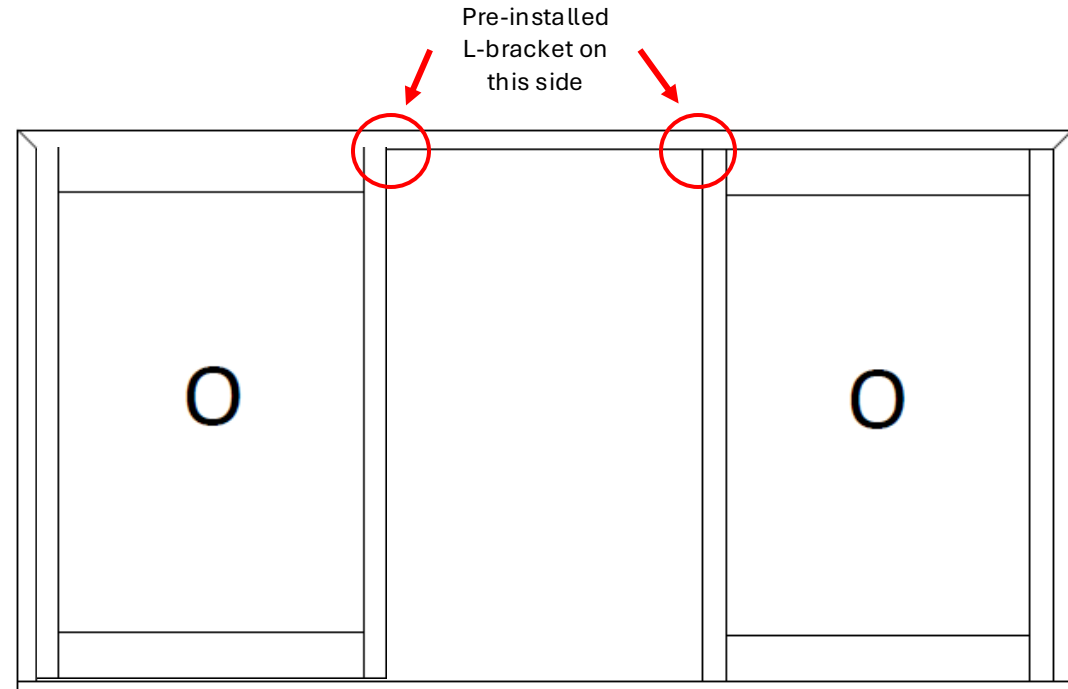
Note: This section applies to field panel installation for 4 Panel SGD's

Step 2a:

The loose, fixed panels come with 1 L-bracket pre-attached on the top of each panel that is used to attach the panel to the head of the mainframe. See diagram below for appropriate fixed panel orientation prior to installation.



Note: 2 strips of weatherstripping should be present at the frame head on the same side as the fixed panels



C650 4 Panel SGD Field Panel Installation

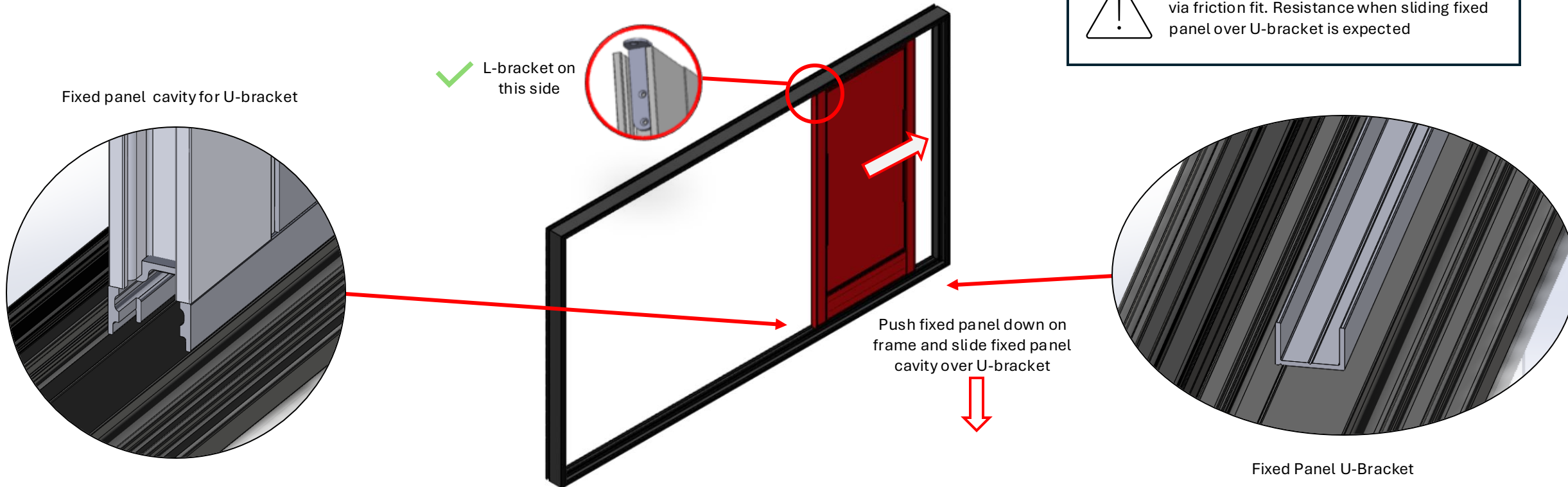
Step 2b:

Note: This section applies to field panel installation for 4 Panel SGD's

- Align the pre-attached L-bracket in the frame as shown below. Side without the L-bracket should face the frame jamb. Align fixed panel bottom cavity with U-bracket on the frame sill and push fixed panel down onto the frame and slide the fixed panel cavity over the U-bracket. Bottom of fixed panel should be flush with frame sill surface.
- Push fixed panel towards the main frame jamb. See step 2c for next steps.



Note: Fixed panel cavity fits over U-bracket via friction fit. Resistance when sliding fixed panel over U-bracket is expected

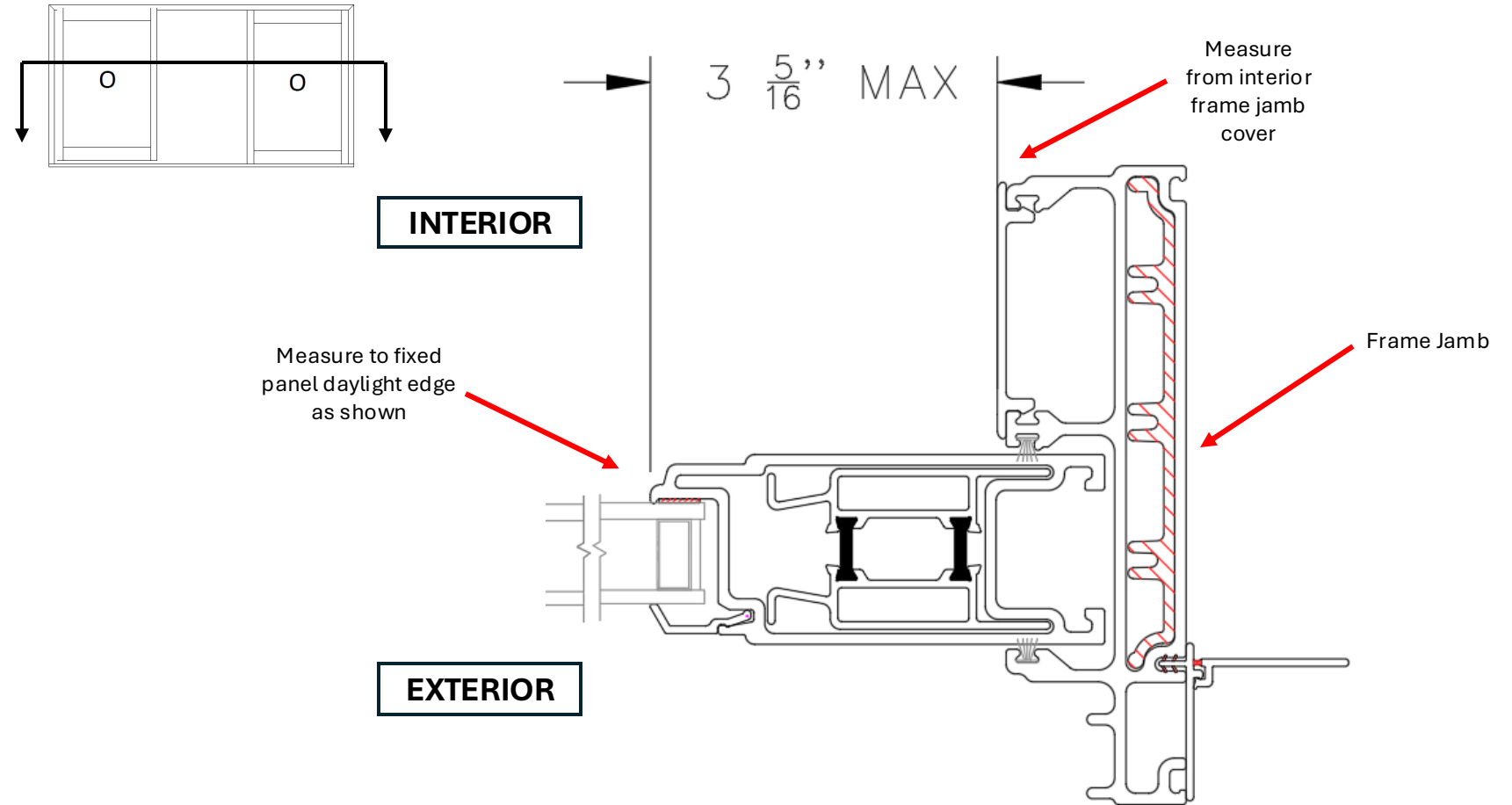


C650 4 Panel SGD Field Panel Installation

Note: This section applies to field panel installation for 4 Panel SGD's

Step 2c:

Use tape measure to determine appropriate fixed panel location when installing into frame. Measurement is not to exceed $3 \frac{5}{16}$ " when measured from jamb cover to the start of the fixed panel daylight opening as shown below.



C650 4 Panel SGD Field Panel Installation

Note: This section applies to field panel installation for 4 Panel SGD's

Step 3:

Locate L-bracket and screws for use at the sill. 2 L-brackets are used, 1 at the head and 1 at the sill to attach the fixed panel to the frame. 1 bracket is already installed at the top.

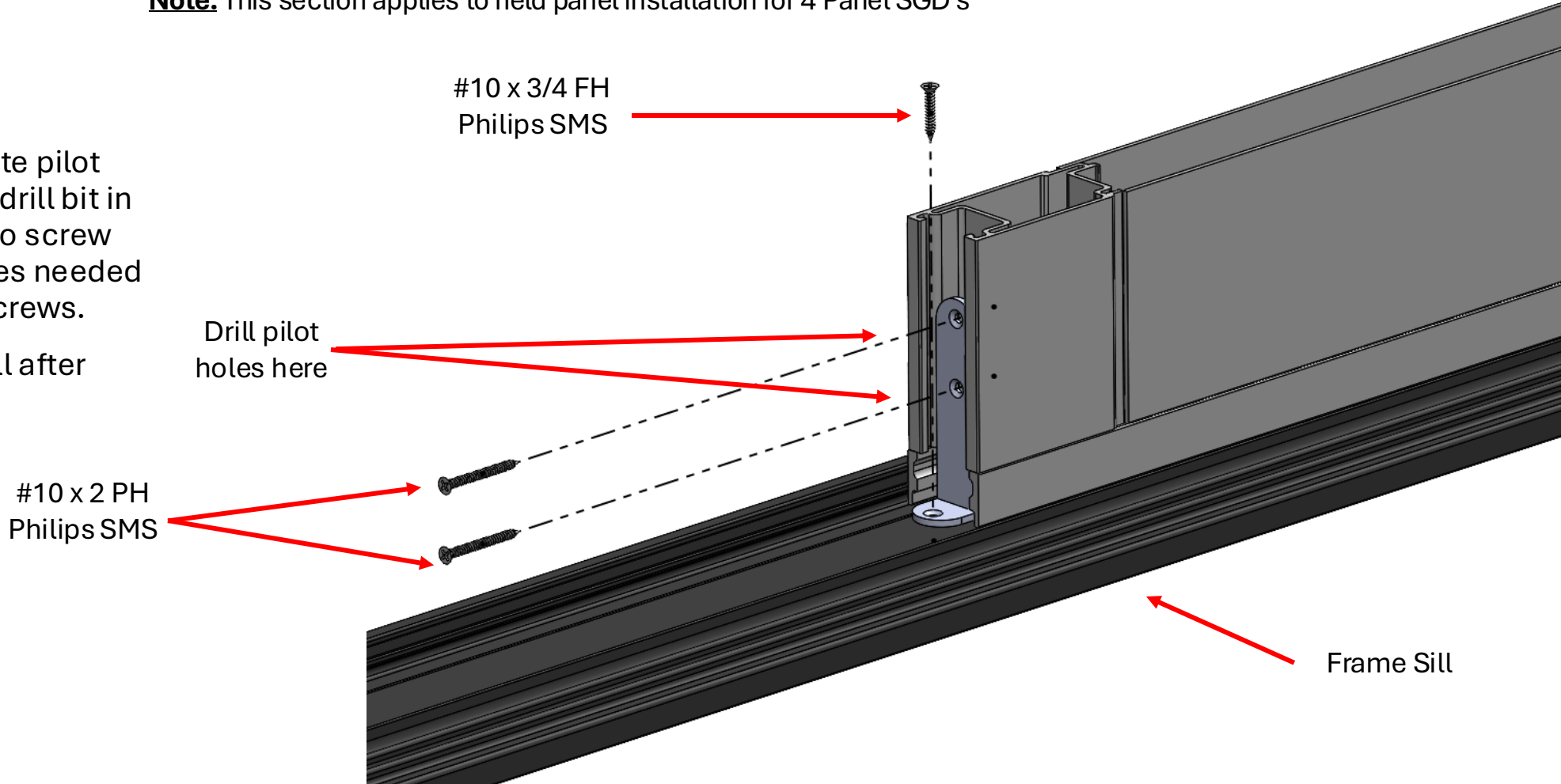


C650 4 Panel SGD Field Panel Installation

Note: This section applies to field panel installation for 4 Panel SGD's

Step 4:

- Use L-bracket to locate pilot holes using an 5/32" drill bit in the fixed panel prior to screw installation. Pilot holes needed only for fixed panel screws.
- Install L-bracket at sill after drilling pilot holes.



C650 4 Panel SGD Field Panel Installation

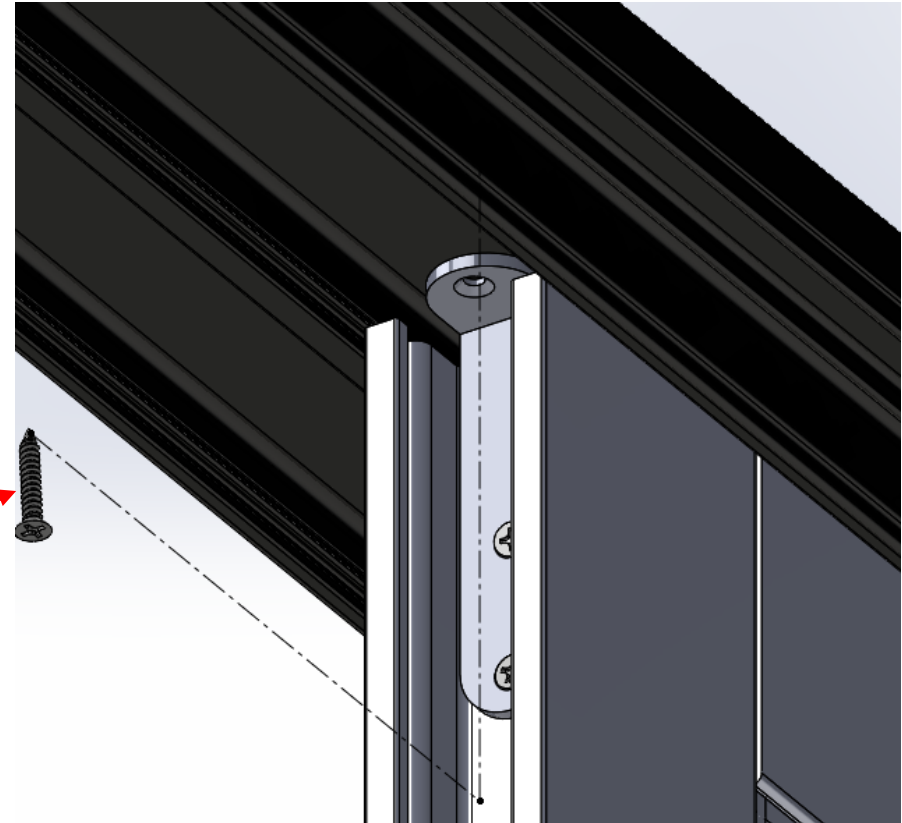
Note: This section applies to field panel installation for 4 Panel SGD's

Step 5:

Fasten #10 x 3/4 FH
Philips SMS screw into
the frame head, do not
drill pilot hole.

Frame Head

#10 x 3/4 FH
Philips SMS



C650 4 Panel SGD Field Panel Installation

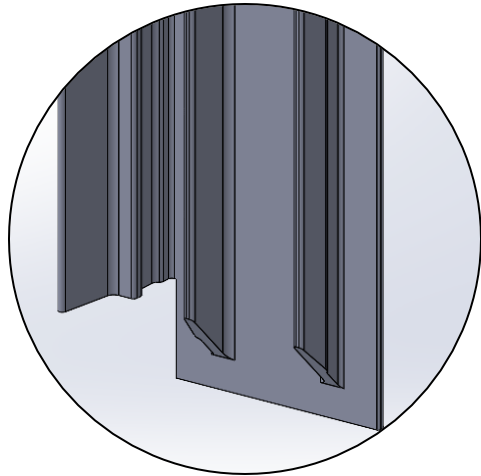
Step 6:

Note: This section applies to field panel installation for 4 Panel SGD's

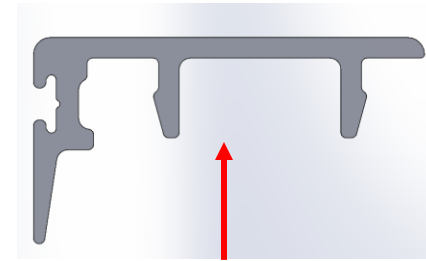
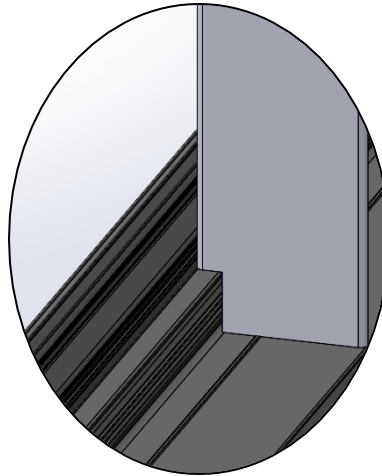
Locate fixed panel interlock cover and attach to the newly installed fixed panel. Use rubber mallet as needed. Notch of the interlock cover sits directly on the frame sill and faces the interior.



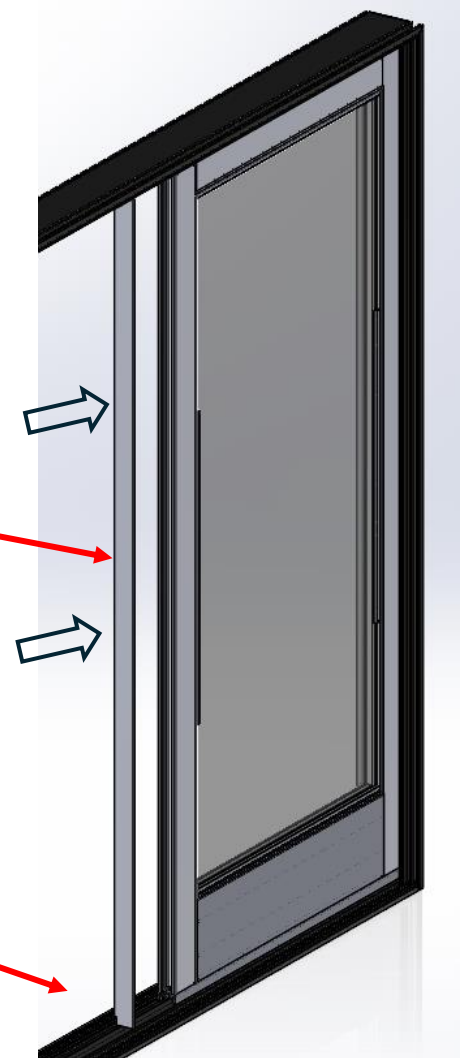
Note: The fixed panel interlock cover is shipped with a cut back only present on the sill end. Ensure the end with the cut back is placed on the sill



Fixed Panel Interlock Cover Notch
(also present in the head)



Fixed Panel
Interlock Cover



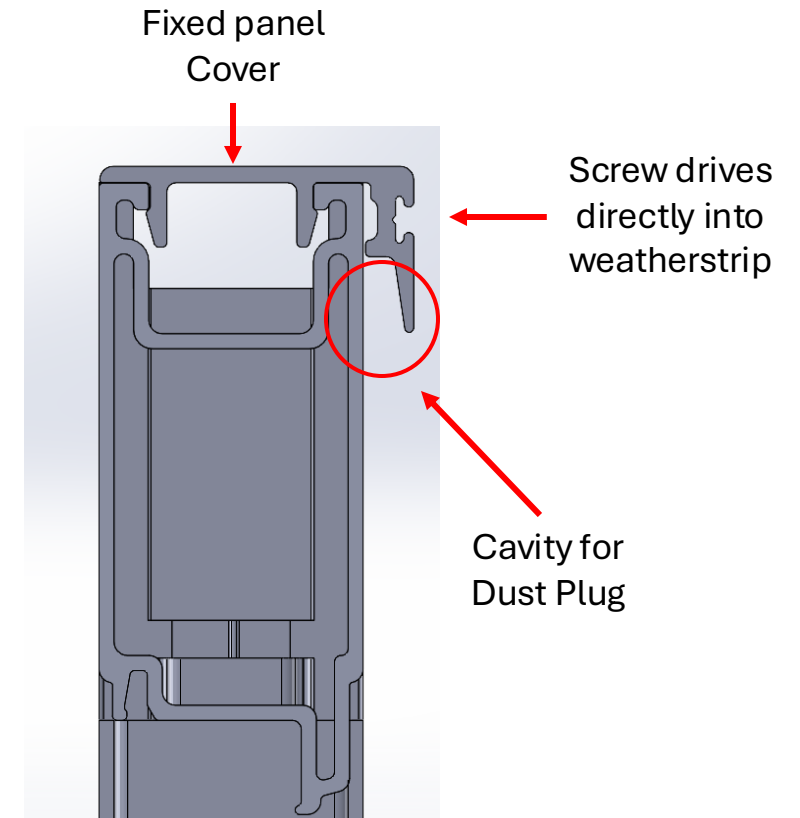
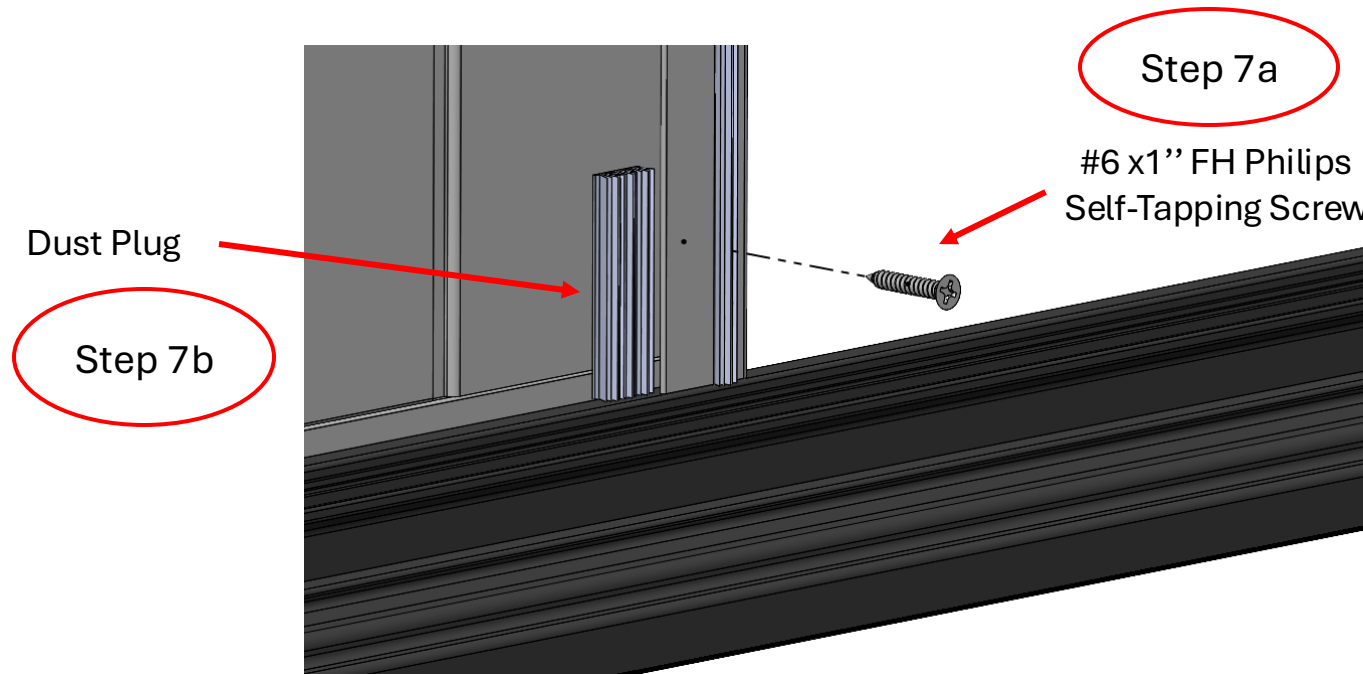
C650 4 Panel SGD Field Panel Installation

Step 7:

Note: This section applies to field panel installation for 4 Panel SGD's

7a: Fasten weatherstrip to the newly installed fixed panel cover using #6 x1" FH Philips Self-Tapping Screw 1" to 2" from the frame in both the head and sill.

7b: Insert dust plug into fixed panel interlock cover both at head and sill as shown.



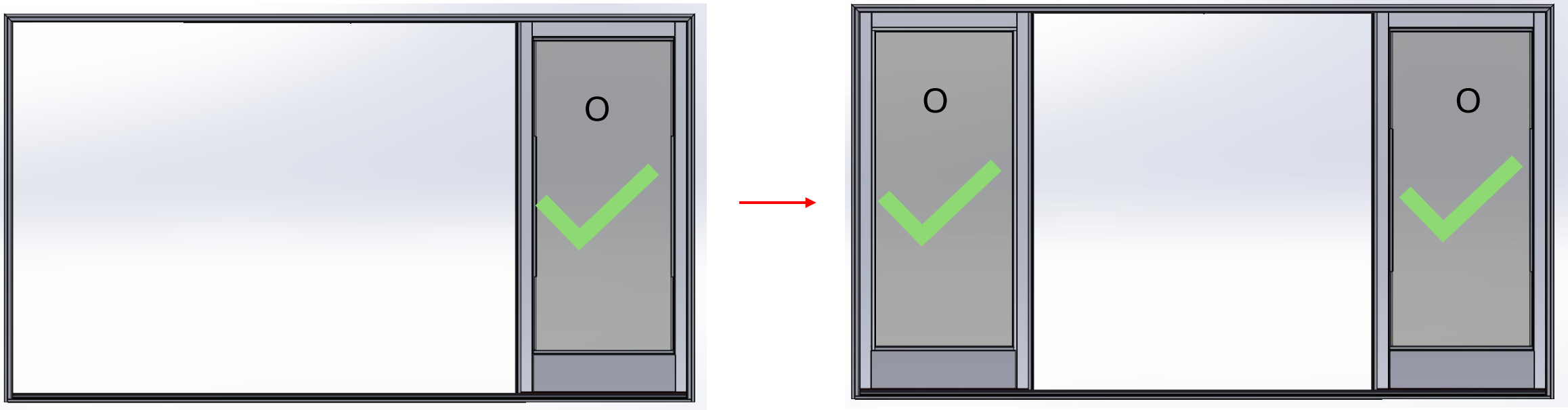
C650 4 Panel SGD

Field Panel Installation

Note: This section applies to field panel installation for 4 Panel SGD's

Step 8:

1st fixed panel is now installed. Repeat Steps 2-8 for the second fixed panel installation.

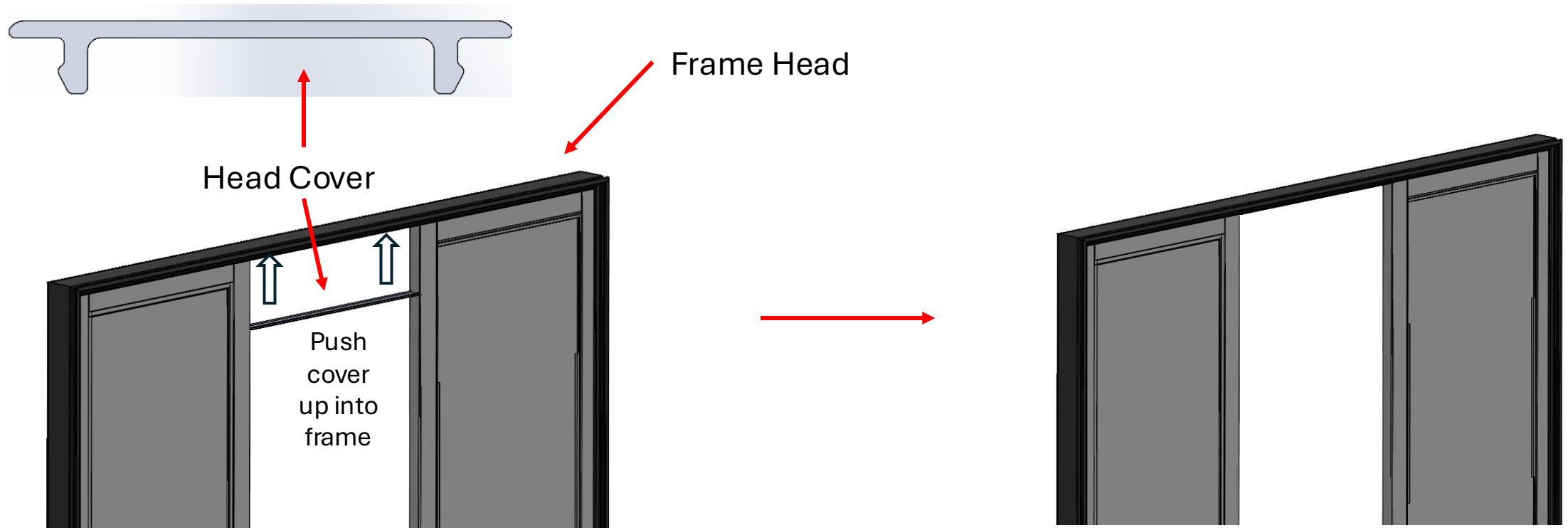


C650 4 Panel SGD Field Panel Installation

Note: This section applies to field panel installation for 4 Panel SGD's

Step 9:

Locate and attach Frame head cover. Covers should sit flush or close to flush against fixed panel interlock covers. Use rubber mallets if necessary.



C650 4 Panel SGD

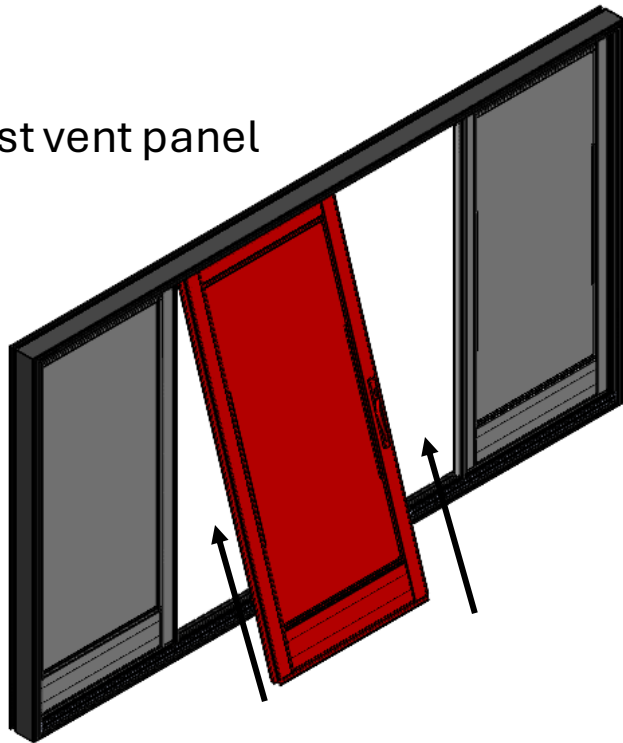
Field Panel Installation

Step 10:

Note: This section applies to field panel installation for 4 Panel SGD's

Locate the vent panels. Install panels into frame by pushing panel up and diagonal into the frame head from the interior side sequentially. Install handles into the vent panels following included manufacturer's instructions. Adjust vent panel latch as needed to ensure proper operation with strike. If included, locate and install screen. Panel installation is complete.

Install first vent panel



Install second vent panel

