

Cross Section Drawing

C700 Double Vent
1 3/8" Fin Setback, Accessory Groove Filler

MILGARD[®]
 WINDOWS and DOORS

CAD File Scale
 NTS

View
 Horizontal & Vertical

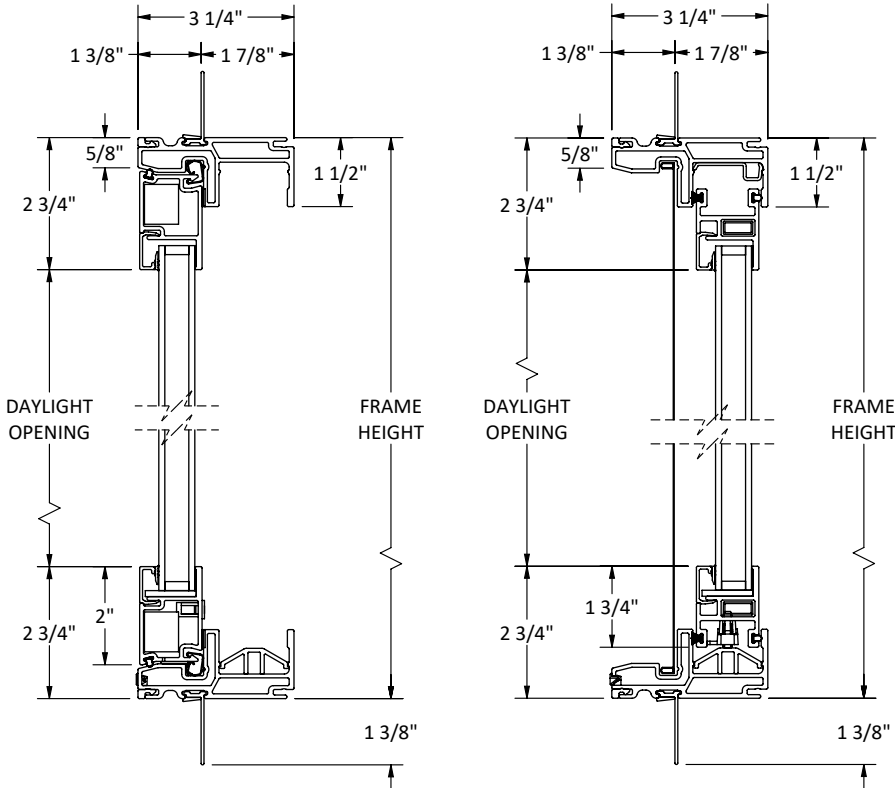
File name
 C700_12110_DV_1.375_IN_ACCESSORY_FILLER

Units
 Inch

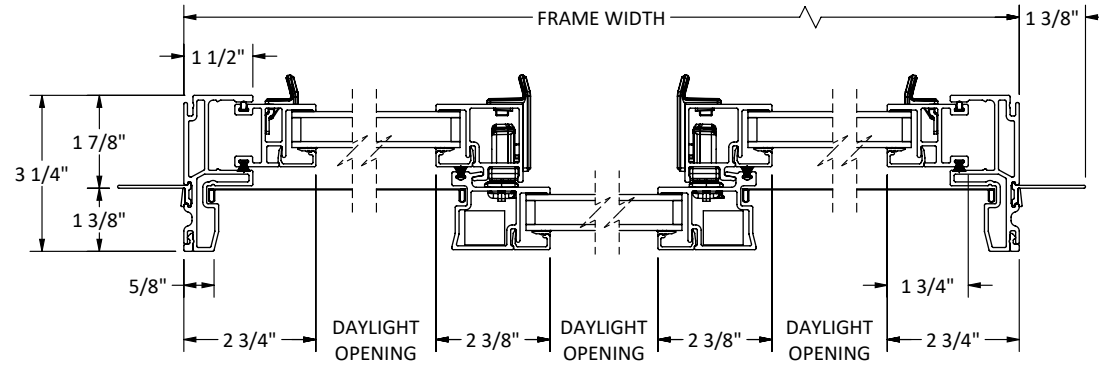
Date
 03/2025

More Technical Documents can be found at milgard.com/professionals
 Due to continual research and development, details may be changed at any time. (C) 2023 Milgard Mfg.

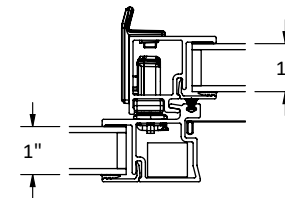
HORIZONTAL SLIDER
SERIES 12110



HEAD & SILL



JAMBS



ALTERNATE 1" GLASS I.G.U.