

Cross Section Drawing

**C700 Double Vent
Block Frame, with Sloped Sill Adapter**

CAD File Scale
NTS

View
Horizontal & Vertical

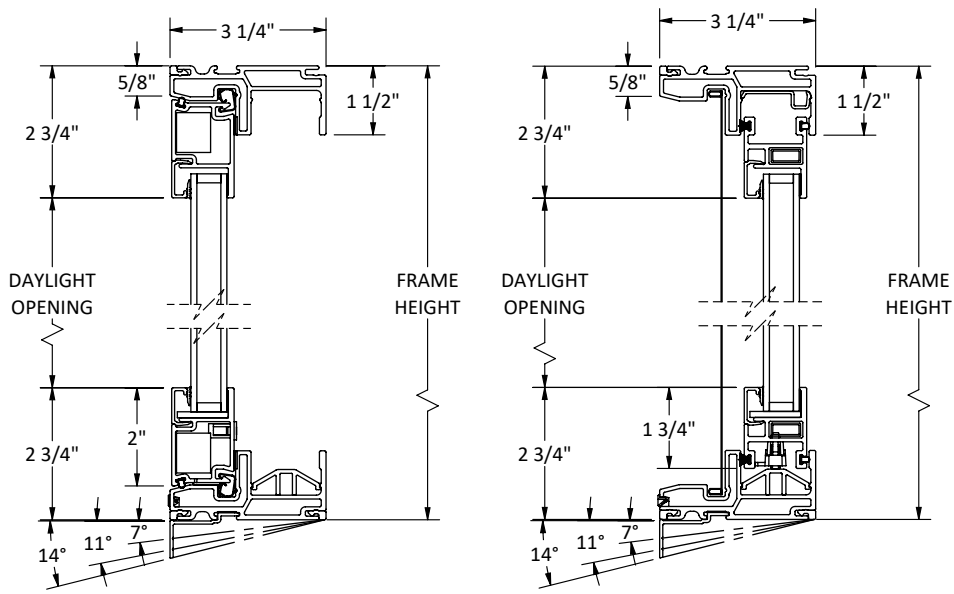
File name
C700_12110_DV_SLOPED_SILL

Units
Inch

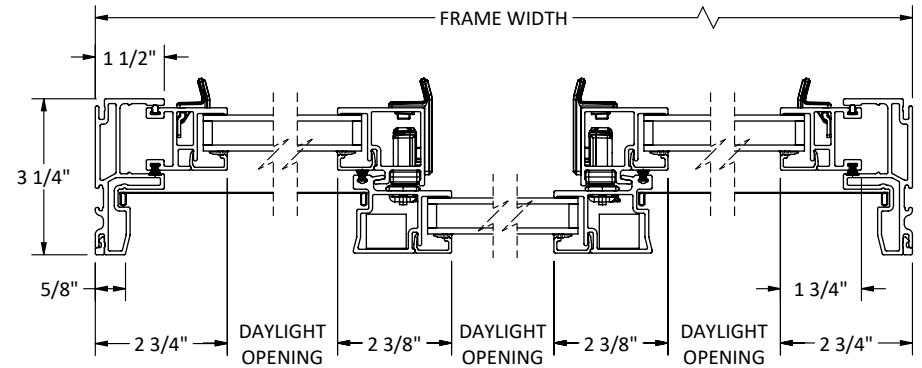
Date
03/2025

More Technical Documents can be found at milgard.com/professionals
Due to continual research and development, details may be changed at any time. (C) 2023 Milgard Mfg.

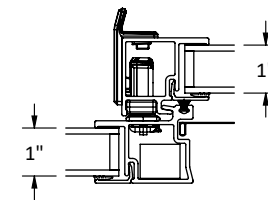
**HORIZONTAL SLIDER
SERIES 12110**



HEAD & SILL



JAMBS



ALTERNATE 1" GLASS I.G.U.